

Shanghai Siproin Microelectronics Co.,Ltd.

Built-in Clock, Calibration Free, Single Phase Energy Meter IC with Integrated Oscillator

SSP1839 Datasheet



Date: 2021/09/08

Version: 1.03

Official Website: <http://WWW.SIPROIN.COM>

Catalog

1. General Description	4
2. Features	4
3. Order Specification	5
4. Block Diagram	5
5. Pin Assignment	5
6. Absolute Maximum Ratings	6
7. Electrical Characteristics	6
8. Internal Register Description	8
8.1 Register list	8
8.2 Special Register Description	9
8.2.1 User mode selection register	9
8.2.2 Temperature mode control register	10
9. Theory of Operation	11
9.1 Current and voltage transient waveform measurement	11
9.2 Channel offset correction	12
9.3 Active Power	12
9.4 Active power offset correction	13
9.5 Active power anti-creep	13
9.6 Energy Measurement	14
9.7 Current and Voltage RMS	15
9.8 RMS offset calibration of current and voltage	16
9.9 Leakage/Over-current Detection	16
9.10 Phase Angle Calculation	18
9.11 Zero Crossing Detection	19
9.12 Temperature Measurement	19
10. Communication Interface	20
10.1 SPI	20
10.1.1 Operation Mode	21
10.1.2 Frame Structure	21

10.1.3 Write Operation Timing	22
10.1.4 Read Operation Timing	22
10.1.5 Fault-tolerant mechanism of SPI interface	22
10.2 UART Communication methods	23
10.2.1 Summarize	23
10.2.2 Description	23
10.2.3 Byte Formation	23
10.2.4 Write Timing	23
10.2.5 Read Timing	23
10.2.6 Timing Description	24
10.2.7 Packet sending mode	24
10.2.8 Full electrical parameter data packet format	24
10.2.9 Protection mechanism of UART interface	25
11. Package Information	26
SOP16L	26
SSOP20L	26
12. Special Instructions	27
Version Change Description	27

1. General Description

SSP1839 is a built-in clock and calibration-free energy metering IC, suitable for single-phase multifunctional electricity meter, smart socket, smart home appliances, electric bicycle charging pile and other applications with better cost performance.

SSP1839 integrates 3 high-precision sigma-delta ADC, it can measure two channel of current and one channel of voltage simultaneously.

SSP1839 can measure electric parameters such as current and voltage RMS, active power, active energy, fast current RMS (for leakage detection/over-current protection), and temperature detection, waveform output and so on. SSP1839 output data through the UART/SPI interface. It is available for the smart socket, smart appliances, single-phase multi-function power meter, electric bicycle charging pile and information requirement of data acquisition in electricity applications.

SSP1839 has a patented anti-creep design, which can be combined with reasonable external hardware design to ensure that the noise energy cannot be calculated in the energy pulse when there is no load.

SSOP20L



SOP16L



2. Features

- 3 high-precision sigma-delta ADC, used to measure two channel of currents and one channel of voltage
- The range of current (10mA~35A) @1mohm
- The range of Active energy (1w~7700w) @1mohm@220V
- Measure RMS Voltage and Current, fast current RMS, Active Power, Active Energy
- The gain error is less than 1%, calibration-free when peripheral components meet certain conditions.
- Two current channel support electric leakage/over-current monitoring function, the threshold and response time can be configured
- Voltage zero-crossing logic output
- Built-in waveform register for load type analysis, Waveform data can be output for load type analysis
- Built-in temperature sensor, Meet the requirements of the product itself, such as over-temperature monitoring, high current node preset temperature alarm, room temperature measurement
- SPI($\leq 900\text{KHz}$) /UART(4800bps) ,UART supports multi-chip address communication (SSOP20L)
- On-chip power supply monitoring, IC reset when VDD is lower than 2.7V(typical).
- On-chip voltage reference of 1.218V
- On-chip 4MHz oscillator circuit
- Power supply 3.3V, low power consumption 10mW (typical)
- Package: SSOP20L/SOP16L

3. Order Specification

Part No	Package	Manner of Packing	Devices per bag/reel
SSP1839-SOP16L	SOP16L	Reel	3000PCS
SSP1839-SSOP20L	SSOP20L	Reel	2500PCS

4. Block Diagram

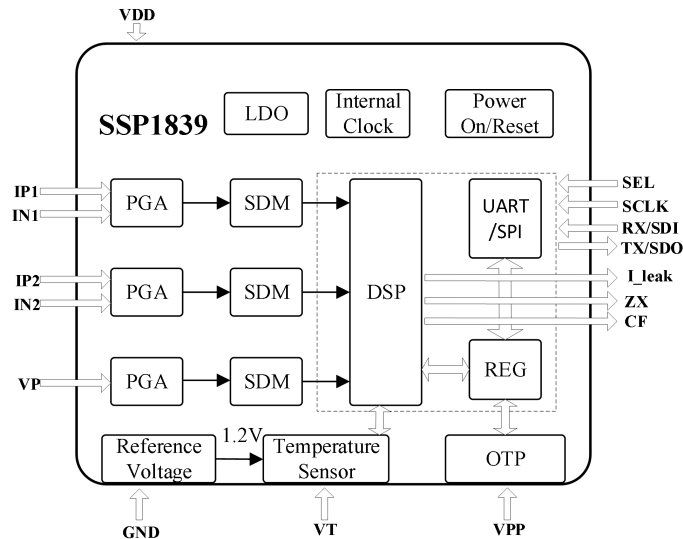


Figure 1 Internal block diagram

5. Pin Assignment

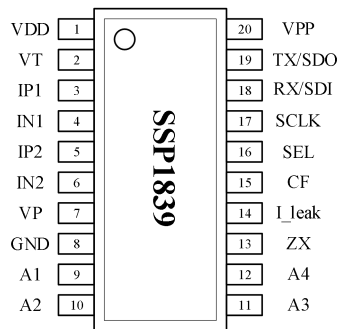


Figure 2 SSOP20L

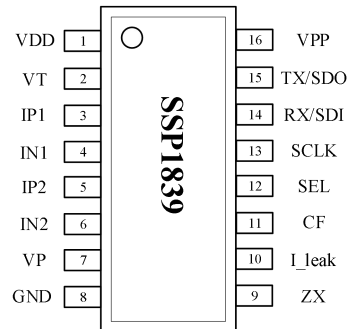


Figure 3 SOP16L

SSOP20	SOP16	Pin Name	Description
1	1	VDD	Power Supply (+3.3V).
2	2	VT	External temperature sensor(NTC) signal input.
3, 4	3, 4	IP1,IN1	Analog input of current channel A, maximum differential voltage has a maximum input range of $\pm 50\text{mV}$ (35mV RMS).
5, 6	5, 6	IP2,IN2	Analog input of current channel B, maximum differential voltage has a maximum input range of $\pm 50\text{mV}$ (35mV RMS).
7	7	VP	Analog input for voltage channel, this differential input has a maximum input range of $\pm 100\text{mV}$ (70mV RMS).

8	8	GND	GND
9		A1	Chip address setting pin, UART multi-chip communication mode, used to set the chip address, A4/A3/A2/A1 binary coding (0000~1111), can set the address 0~15; There is pull-down resistance inside the pin, which is 0 level when it is suspended, and high level when the pin is directly connected to VDD. It matches the device address in the UART communication protocol.
10		A2	
11		A3	
12		A4	
13	9	ZX	Voltage channel zero-crossing output pin
14	10	I _{leak}	Channel B leakage/over-current alarm output
15	11	CF	Energy pulse output, multiplex function refer to MODE register description
16	12	SEL	Interface select pin (0: UART 1: SPI), pull-down resistance inside, disconnect is low-level (UART), connected to VDD is high-level (SPI)
17	13	SCLK	SPI clock input. If using UART interface, this pin doesn't need be connected.
18	14	RX/SDI	Data input for SPI interface/Receive line for UART interface
19	15	TX/SDO	Data output for SPI interface/Transmit line for UART interface, this pin require external pull-up resistor.
20	16	VPP	Reserved, not connected.

6. Absolute Maximum Ratings

Parameter	Symbol	Value	Unit
Power Voltage VDD	VDD	-0.3~+4	V
Analog Input Voltage to GND	IP1,IP2,VP	-4~+4	V
Digital Input Voltage to GND	A1~A4 UART_SEL RX/SDI	-0.3~VDD+0.3	V
Digital Output Voltage to GND	CF I _{Leak} TX/SDO	-0.3~VDD+0.3	V
Operating Temperature Range	T	-40~+85	°C
Storage Temperature Range	Tstg	-40~+85	°C

Note: Unless specified otherwise, Tamb= 25°C

7. Electrical Characteristics

Parameter	Symbol	Test Conditions	Min	Typ	Max	Unit
Power Supply	VDD		3.0		3.6	V
Power Dissipation	I _{op}	VDD=3.3V		3		mA
Measuring range		4000:1 Input dynamic range				

Active energy measurement accuracy (large signal)		35A~100mA Input@ 1mohm sampling resistor		0.2		%
Active energy measurement accuracy (small signal)		100mA~50mA Input@ 1mohm sampling resistor		0.4		%
Active energy measurement accuracy (tiny signal)		50mA~10mA Input@ 1mohm sampling resistor		0.6		%
RMS measurement accuracy(large signal)		35A~100mA Input@ 1mohm sampling resistor		0.2		%
RMS measurement accuracy(small signal)		100mA~50mA Input@ 1mohm sampling resistor		2		%
RMS measurement accuracy(tiny signal)		50mA~10mA Input@ 1mohm sampling resistor		6		%
Fast RMS response time	50Hz	Can be set to cycle/half cycle	10		40	mS
	60Hz		8.3		33	mS
Zero-crossing signal output delay				571		uS
Measurement error caused by phase angle between channels (capacitance)	PF08err	Phase advance 37 ° (PF=0.8)			0.5	%
Measurement error caused by phase angle between channels (sensitivity)	PF05err	Phase delay 60 ° (PF=0.5)			0.5	%
AC power suppression (output frequency amplitude variation)	ACPSRR	IP/N=100mV			0.1	%
DC power suppression (output frequency amplitude variation)	DCPSRR	VP/N=100mV			0.1	%
Analog input level (current)		Differential current input (peak)			50	mV
Analog input level (voltage)		Differential voltage input (peak)			200	mV
Analog input impedance				370		kΩ
SEL pull-down resistor		SEL(pull-down)		56.9		kΩ
Analog input bandwidth		(-3dB)		3.5		KHz
Internal voltage reference	Vref			1.218		V
Logic input high-level		VDD=3.3V±5%	2.6			V
Logic input low-level		VDD=3.3V±5%			0.8	V
Logic output high-level		VDD=3.3V±5% IOH=5mA	VDD -0.5			V
Logic output low-level		VDD=3.3V±5% IOL=5mA			0.5	V

Note: Unless specified otherwise, Tamb= 25°C

All voltage values take GND terminal potential as reference point.

Test conditions VDD=3.3V, Built-in crystal oscillator, electric energy is measured by CF output.

8. Internal Register Description

8.1 Register list

Address	Symbol	External R/W	Internal R/W	Bits	Default	Description
Electrical parameter register (read only)						
0x00	IA_FAST_RMS	R	W	24	0x000000	Channel A fast RMS, unsigned
0x01	IA_WAVE	R	W	20	0x000000	Channel A current waveform register, signed
0x02	IB_WAVE	R	W	20	0x000000	Channel B current waveform register, signed
0x03	V_WAVE	R	W	20	0x000000	Voltage waveform register, signed
0x04	IA_RMS	R	W	24	0x000000	Channel A current RMS register, unsigned
0x05	IB_RMS	R	W	24	0x000000	Channel B current RMS register, unsigned
0x06	V_RMS	R	W	24	0x000000	Voltage RMS register, unsigned
0x07	IB_FAST_RMS	R	W	24	0x000000	Channel B fast RMS, unsigned
0x08	A_WATT	R	W	24	0x000000	Channel A active power register, signed
0x09	B_WATT	R	W	24	0x000000	Channel B active power register, signed
0x0A	CFA_CNT	R	W	24	0x000000	Channel A active energy pulse count, unsigned
0x0B	CFB_CNT	R	W	24	0x000000	Channel B active energy pulse count, unsigned
0x0C	A_CORNER	R	W	16	0x0000	Channel A current voltage waveform phase angle register
0x0D	B_CORNER	R	W	16	0x0000	Channel B current voltage waveform phase angle register
0x0E	TPS1	R	W	10	0x000	Internal temperature register, unsigned
0x0F	TPS2	R	W	10	0x000	External temperature register, unsigned
User operated register (read and write)						
0x10	IA_FAST_RMS_CTRL	R/W	R	16	0xFFFF	Channel A fast RMS control register
0x11	IA_CHOS	R/W	R	8	0x00	Channel A current DC offset correction
0x12	IB_CHOS	R/W	R	8	0x00	Channel B current DC offset correction
0x13	IA_RMSOS	R/W	R	8	0x00	Channel A current RMS offset adjust register
0x14	IB_RMSOS	R/W	R	8	0x00	Channel B current RMS offset adjust register

0x15	A_WATTOS	R/W	R	8	0x00	Channel A active power offset adjust register
0x16	B_WATTOS	R/W	R	8	0x00	Channel B active power offset adjust register
0x17	WA_CREEP	R/W	R	8	0x0B	Active power no-load threshold register
0x18	MODE	R/W	R	16	0x0000	User mode selection register
0x19	SOFT_RESET	R/W	R	24	0x000000	When 0x5A5A5A is written, the user area register is reset to default
0x1A	USR_WRPROT	R/W	R	8	0x00	Write protection register. After writing 0x55, the user operation register can be written. Write other values, user operated register area is not writable
0x1B	TPS_CTRL	R/W	R	16	0x07FF	Temperature mode control register
0x1C	TPS2_A	R/W	R	8	0x0000	External temperature sensor gain coefficient adjust register
0x1D	TPS2_B	R/W	R	8	0x0000	External temperature sensor offset coefficient adjust register
0x1E	IB_FAST_RMS_CTRL	R/W	R	16	0xFFFF	Channel B fast RMS control register

8.2 Special Register Description

8.2.1 User mode selection register (Note: X indicates either 0 or 1)

0x18	MODE	User mode selection register	
No.	name	default value	description
[1:0]	IA_F_SEL	0b00	Current waveform IA selection through filter 00 : High pass, AC measurement 01:same as 00 10 : Low pass, DC measurement 11 : Full wave, AC/DC measurement
[3:2]	IB_F_SEL	0b00	Current waveform IB selection through filter 00 : High pass, AC measurement 01:same as 00 10 : Low pass, DC measurement 11 : Full wave, AC/DC measurement
[5:4]	V_F_SEL	0b00	Voltage waveform selection through filter 00 : High pass, AC measurement 01:same as 00 10 : Low pass, DC measurement

				11 : Full wave, AC/DC measurement
6	L_F_SEL	0b0	Channel A/B fast effective value selection through filter	0: High pass filter front output 1: High pass filter behind output
7	L_WAVE_SEL	0b0	IB_WAVE waveform register output selection	0: IB channel waveform 1: IB fast channel waveform
8	RMS_UPDATE_SE L	0b0	RMS register update rate	0: 400ms 1: 800ms
9	AC_FREQ_SEL	0b0	AC frequency select	0: 50Hz 1: 60Hz
10	Reserved	0b0	reserved	
11	CF_SEL	0b0	CF pin output power pulse selection	0: Channel A 1: Channel B
12	CF_UNABLE	0b0	CF output function selection	0: Electric pulse, enable by MODE[11] configured 1: alarm function enable by TPS_CTRL[14] configured
13~15	reserved	3b000	reserved	

8.2.2 Temperature mode control register

0x1B	TPS_CTRL	Temperature mode control register		
No.	name	default value	description	
0x1B	TPS_CTRL	0x07FF	[15] Temperature switch, default 0b0, Open the temperature measurement	0: on 1: off
			[14] Alarm switch, default 0b0,	0: Temperature alarm on 1: Channel A over-current and leakage alarm on
			[13:12]] Temperature measurement selection, default 0b00	00: Automatic temperature measurement 01: the same as 00
			Automatic temperature measurement	10: Internal temperature measurement 11: External temperature measurement
			[11:10]Temperature measurement interval default 0b01 100ms	00: 50ms 01: 100ms 10: 200ms 11: 400ms

			[9:0] External temperature measurement alarm threshold setting, default 0x3FF, not alarm	Alarm when TPS2 register value is greater than or equal to it.
--	--	--	---	--

9. Theory of Operation

SSP1839 is composed of analog signal processing module and digital signal processing module. The analog module includes three-channel PGA, three-channel sigma-delta ADC, internal clock, power on/reset monitor, temperature sensor, LDO and other related analog modules. The digital module is digital signal processing module (DSP).

9.1 Current and voltage transient waveform measurement

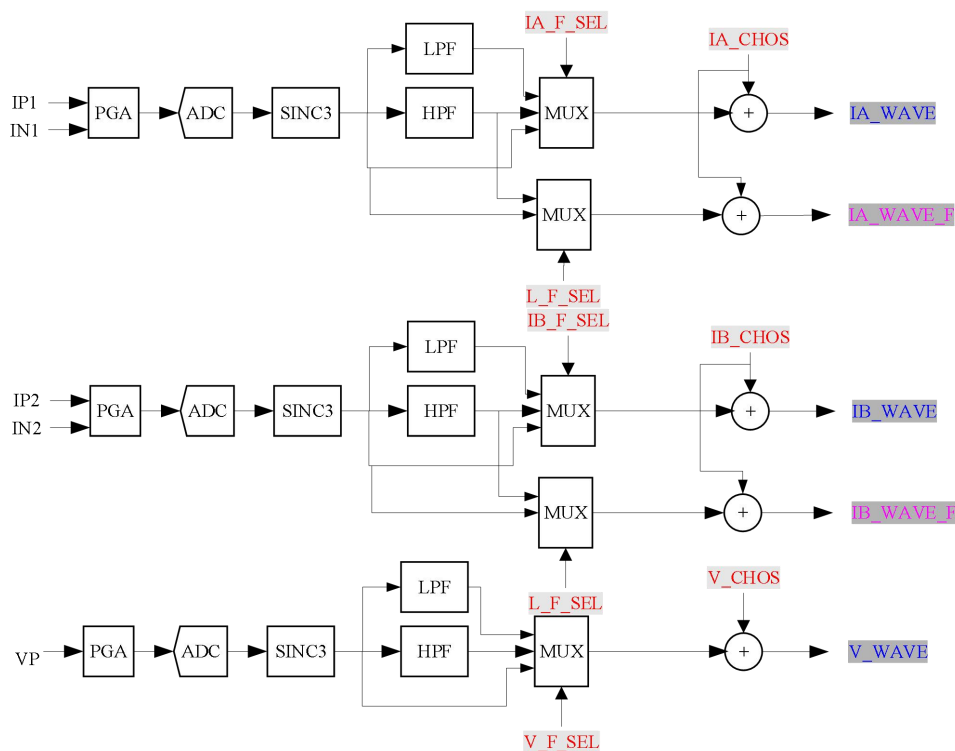


Figure 4

As shown in the figure above, two channels of current and one channel of voltage pass through the analog module amplifier (PGA) and the high-precision analog-to-digital conversion (ADC) respectively to get three channels of 1bit PDM to the digital module. The digital module passes through the SINC3 filter (SINC3), optional high-pass filter (HPF) or low-pass filter (LPF) and channel offset correction modules. Obtain the required current waveform data and voltage waveform data (IA_WAVE, IB_WAVE, V_WAVE).

HPF and LPF are optional for the three channels. HPF is an AC measurement mode, LPF is a DC measurement mode, and full-wave measurement mode is a full-wave measurement mode if neither of them is passed. Set through user MODE register MODE[5:0].

SSP1839 has three high-precision ADCs, and the current is input by two-terminal differential signals: A current channel IP1/IN1, B current channel IP2/IN2, and voltage channel VP.

The current and voltage waveform data are updated at a rate of 7.8kbps. Each sampled data is 20bit signed value, which are saved in waveform registers (IA_WAVE, IB_WAVE, V_WAVE). The waveform value can be read continuously when the SPI rate is greater than 375Kbps.

Address	Symbol	External	Internal	Bits	Default	Description
		R/W	R/W			
0x01	IA_WAVE	R	W	20	0x00000	Channel A current waveform register
0x02	IB_WAVE	R	W	20	0x00000	Channel B current waveform register
0x03	V_WAVE	R	W	20	0x00000	Voltage waveform register

9.2 Channel offset correction

The SSP1839 contains two 8-bit calibration registers (IA_CHOS, IB_CHOS) with a default value of 00H. They eliminate the deviation caused by the analog-to-digital conversion of the current channel and the voltage channel respectively by the data in the form of the complement of 2, Bit[7] is a symbol Bit. The deviation here may be due to the offset generated by the input and the ANALOG-to-digital conversion circuit itself. The offset correction allows the waveform offset to be 0 without load.

Address	Symbol	External	Internal	Bits	Default	Description
		R/W	R/W			
0x11	IA_CHOS	R/W	R	8	0x00	Current channel A DC offset correction
0x12	IB_CHOS	R/W	R	8	0x00	Current channel B DC offset correction

These registers are used for DC measurement mode, IA/IB/V_LPF_SEL=1。

$$\text{CHOS} = \frac{\text{WAVE} - \text{WAVE0}}{2^4}$$

WAVE is the corrected waveform value, WAVE0 is the uncorrected waveform value;

$$\text{RMS} = \text{RMS0} + \frac{3125 * \text{CHOS}}{4}$$

RMS is the corrected valid value, RMS0 is the uncorrected valid value.

9.3 Active Power

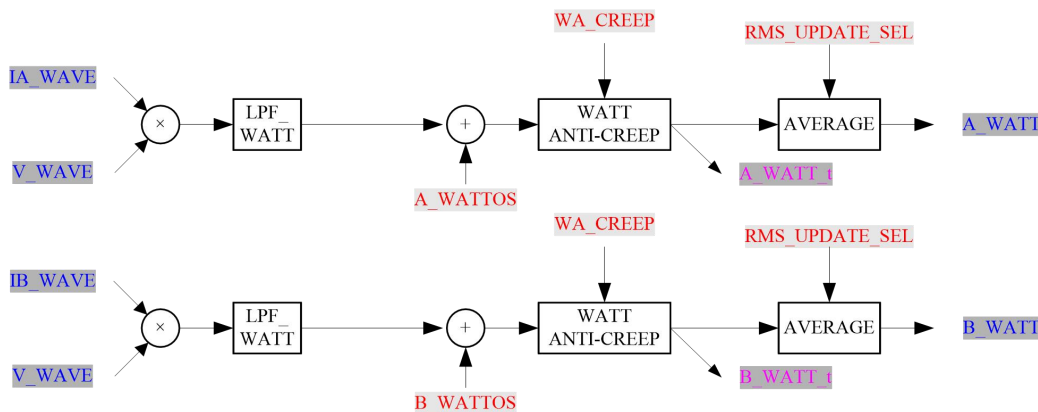


Figure 5

Address	Symbol	External	Internal	Bits	Default	Description
		R/W	R/W			
0x08	A_WATT	R	W	24	0x000000	Channel A active power register
0x09	B_WATT	R	W	24	0x000000	Channel B active power register

Formula for calculating active power: $A/B_WATT = \frac{4046 * I(A) * V(V) * \cos(\varphi)}{V_{ref}^2}$

I(A) and V(V) are the voltage RMS of analog input PIN(IP&IN, VP&GND), φ is the phase angle between I(A) and V(V) (AC signal), V_{ref} is the on-chip reference voltage, the typical value is 1.218V.

This register indicates whether the active power is positive or negative. Bit[23] is the symbol Bit. Bit[23]=0 means the current power is positive and Bit[23]=1 means the current power is negative, in complement form.

9.4 Active power offset correction

SSP1839 has two 8-bit active power offset adjust registers (A_WATTOS, B_WATTOS), default value is 00H. It eliminate the offset of active power in the measurement of electric energy with the data in the form of complement of 2. Bit[7] is the symbol Bit. The offset may come from board level noise or crosstalk. Offset adjustment can make the values in the active power register close to 0 with no load.

Address	Symbol	External	Internal	Bits	Default	Description
		R/W	R/W			
0x15	A_WATTOS	R/W	R	8	0x00	Channel A active power offset adjust register
0x16	B_WATTOS	R/W	R	8	0x00	Channel B active power offset adjust register

$$WATTOS = \frac{WATT - WATT0}{8 \times 3.05172}$$

WATT is the active power after adjustment, and WATT0 is the active power before adjustment.

9.5 Active power anti-creep

SSP1839 has the patented power anti-creep function, which ensures that the power of board level noise will not accumulate when there is no load.

This active power no-load threshold register(WA_CREEP) is 8bit unsigned data, default value is 0BH. The corresponding relationship between this value and the active power register value is shown in the following formula. When the absolute value of the input active power signal is less than this value, the output active power is set to 0. This can make the value of the active power register is 0 and the energy does not accumulate in the case of no load, even if there is a tiny noise signal.

Address	Symbol	External	Internal	Bits	Default	Description
		R/W	R/W			
0x17	WA_CREEP	R/W	R	8	0x0B	Active power no-load threshold register

Set WA_CREEP based on the value of the power register A_WATT, their corresponding relationship as below:

$$WA_CREEP = \frac{WATT}{3.0517578125 * 8}$$

When the channel is in the anti-creep state, the RMS current register of this channel is also set to 0.

9.6 Energy Measurement

SSP1839 provides energy pulse measurement. The active instantaneous power is integrated by time to get active energy and output calibration pulse CF in proportion. CFA_CNT and CFB_CNT register saves the count of output energy pulse.

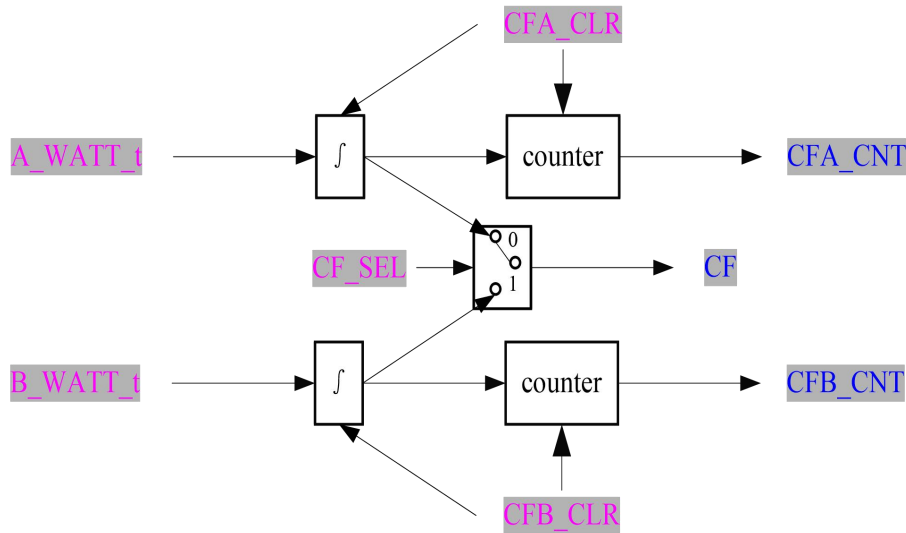


Figure 6

0x18	MODE	User mode selection register		
No.	name	default value	description	
10	Reserved	0b0	reserved	
11	CF_SEL	0b0	CF pin output power pulse selection	0: Channel A 1: Channel B
12	CF_UNABLE	0b0	CF output function selection	0: Electric pulse, enable by MODE[11] configured 1: alarm function enable by TPS_CTRL[14] configured

Firstly, set MODE[12]=0 to select CF pin to output power pulse, and then set MODE[11] to select power pulse of channel A or channel B to output.

Address	Symbol	External	Internal	Bits	Default	Description
		R/W	R/W			
0x0A	CFA_CNT	R	W	24	0x000000	Channel A active energy pulse count, unsigned
0x0B	CFB_CNT	R	W	24	0x000000	Channel B active energy pulse count, unsigned

The count of active energy pulses corresponds to the consumption of electricity. The result is stored in two registers, CFA_CNT and CFB_CNT. The count of pulses can be counted directly from the CF pin through I/O interruption. When the period of CF is less than 180ms, the pulse is 50% duty cycle. When it is greater than or equal to 180ms, the fixed pulse width of high-level is 90ms.

Note: CFA_CNT, CFB_CNT is pulse algebraic sum accumulation. It means that pulse plus at positive energy and minus at negative energy.

The cumulative time of each CF pulse: $t_{CF} = \frac{1638.4 * 256}{WATT}$

WATT is the corresponding active power register value (A_WATT, B_WATT)

9.7 Current and Voltage RMS

The RMS of three channels is shown in the figure below. After the square circuit (X^2), the low-pass filter (LPF_RMS) and the ROOT circuit (ROOT), the instantaneous value RMS_t of RMS is calculated, and then the average value of the three channels (A_RMS, B_RMS, V_RMS) is calculated.

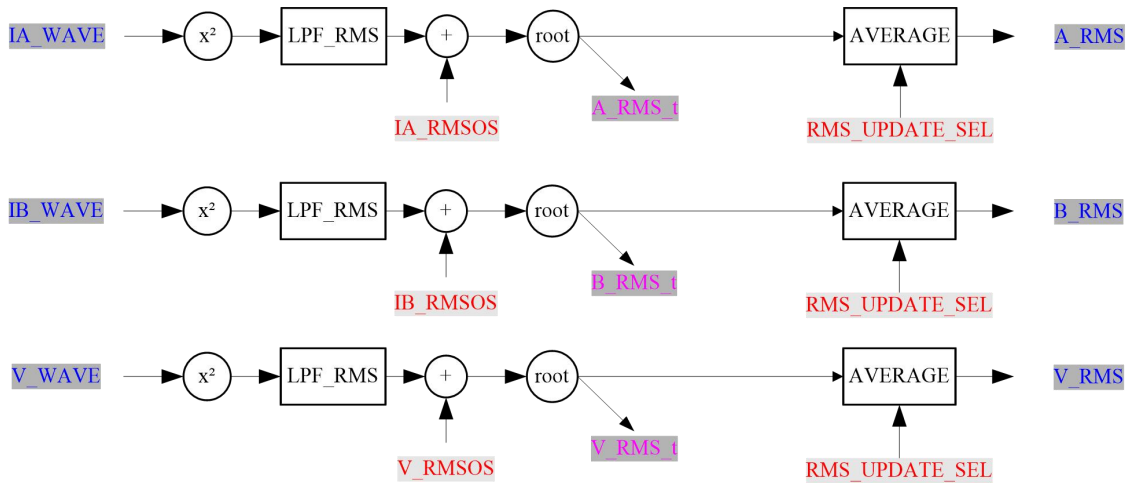


Figure 7

Address	Symbol	External	Internal	Bits	Default	Description
		R/W	R/W			
0x04	IA_RMS	R	W	24	0x000000	Channel A current RMS register, unsigned
0x05	IB_RMS	R	W	24	0x000000	Channel B current RMS register, unsigned
0x06	V_RMS	R	W	24	0x000000	Voltage RMS register, unsigned

0x18	MODE	User mode selection register	
No.	name	default value	description
8	RMS_UPDATE_SEL	0b0	RMS register update rate
			0: 400ms
			1: 800ms

Set MODE[8].RMS_UPDAT_SEL, the average refresh time of RMS can be selected as 400ms or 800ms, and the default value is 400ms. When a current channel is in anti-creep state, the RMS of the current channel is 0.

The current RMS conversion formula: $IA/B_RMS = \frac{324004 * I(A)}{V_{ref}}$

The voltage RMS conversion formula: $V_RMS = \frac{79931 * V(V)}{V_{ref}}$

Vref is the reference voltage, the typical value is 1.218V.

I(A) is the input signal between IP1 and IN1 pins (mV), and V(V) is the input signal of VP pins (mV).

9.8 RMS offset calibration of current and voltage

SSP1839 has two 8-bit RMS offset register (IA_RMSOS and IB_RMSOS), whose default value is 00H. It is used to calibrate the deviation in RMS with the complement form of 2. This deviation may come from the input noise. Because there is a square operation in calculating the RMS, this may introduce DC offset caused by noise. The deviation calibration can make the value in the RMS register close to 0 without load.

Address	Symbol	External	Internal	Bits	Default	Description
		R/W	R/W			
0x13	IA_RMSOS	R/W	R	8	0x00	Channel A current RMS offset adjust register
0x14	IB_RMSOS	R/W	R	8	0x00	Channel B current RMS offset adjust register

Calibration formula: $RMSOS = \frac{RMS^2 - RMS0^2}{9.3132 \times 2^{15}}$

RMS0 is the RMS current value before correcting and RMS is the RMS current value after correcting.

9.9 Leakage/Over-current Detection

SSP1839 has two channels A/B of fast RMS register, which can detect half cycle or cycle RMS. This function can be used for leakage or over-current detection. The source of waveform L_WAVE is shown below.

HPF can be passed or not passed, HPF is not passed by default, can get the absolute value of IA/B_WAVE_F accumulate by half-cycle or one cycle time, which is selected by FAST_RMS_CTRL[15]. Cycle accumulation is selected by default, The maximum response time is 40ms (50Hz) or 33ms (60Hz), Note that the runout of IA/IB_FAST_RMS register is relatively large when half cycle wave accumulation occurs. Distinguish between 50Hz and 60Hz half-cycle time (AC_FREQ_SEL).

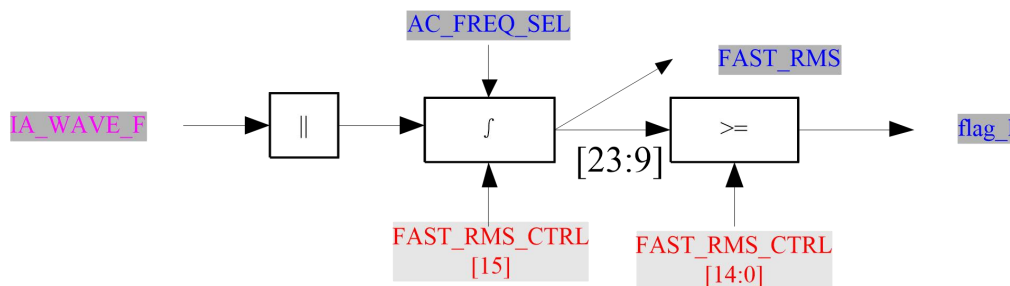


Figure 8

Address	Symbol	External	Internal	Bits	Default	Description
		R/W	R/W			
0x10	IA_FAST_RMS_CTRL	R/W	R	16	0xFFFF	Channel A fast current RMS control register
0x1E	IB_FAST_RMS_CTRL	R/W	R	16	0xFFFF	Channel B fast current RMS control register

Set the refresh time to half-cycle or cycle by IA_FAST_RMS_CTRL and IB_FAST_RMS_CTRL, and set the fast RMS threshold (Leakage or over-current threshold).

0x10	MODE	Fast RMS register		
No.	name	default value	description	
0x10	IA_FAST_RMS_CTRL	0xFFFF	[15]Channel A fast RMS refresh time	0: half-cycle 1: cycle
			[14:0]Channel A fast RMS threshold	
0x1E	IB_FAST_RMS_CTRL	0xFFFF	[15]Channel B fast RMS refresh time	0: half-cycle 1: cycle
			[14:0]Channel B fast RMS threshold	

Set AC frequency by MODE[9].

0x18	MODE	User mode selection register		
No.	name	default value	description	
9	AC_FREQ_SEL	0b0	AC frequency selection	0: 50Hz 1: 60Hz

Refresh the 24-bit unsigned RMS register according to one cycle or half cycle, Bit[23:9] of the FAST_RMS register compare with the leakage/over-current threshold FAST_RMS_CTRL [14:0], if the value is greater than or equal to the set threshold, then leakage/over-current alarm output pin will be high level.

Address	Symbol	External	Internal	Bits	Default	Description
		R/W	R/W			
0x00	IA_FAST_RMS	R	W	24	0x000000	Channel A fast current RMS, unsigned
0x07	IB_FAST_RMS	R	W	24	0x000000	Channel A fast current RMS, unsigned

Channel B leakage/over-current alarm output indicator pin is I_leak, it can be directly output without configuration.

Channel A leakage/over-current alarm output indicator pin is CF, set MODE[12]=1 and TPS_CTRL[14]=1 before use it.

0x18	MODE	User mode selection register		
No.	name	default value	description	
12	CF_UNABLE	0b0	CF output function selection	0: energy pulse, enable by MODE[11] configured

				1: Temperature measurement/Leakage alarm, enable by TPS[14] configured
--	--	--	--	--

0x1B	TPS_CTRL	Temperature mode control register		
No.	name	default value	description	
14	ALERT_CTRL	0b0	Alarm selection	0: Temperature alarm on 1: Channel A leakage/over-current alarm on

Since the fast effective values are updated by cycle or half-cycle, the interrupt response time is up to 2 cycles or 2 half-cycles.

9.10 Phase Angle Calculation

SSP1839 has phase angle measurement function. The reactive quadrant can be indicated by the angle of A/B current and voltage respectively by calculating the positive zero-crossing time difference between current and voltage. It is updated to the register CORNER_A/CORNER_B when the current is positive zero crossing. The register is a 16-bit unsigned number.

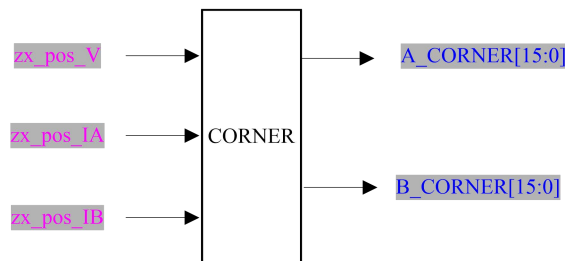


Figure 9

Address	Symbol	External	Internal	Bits	Default	Description
		R/W	R/W			
0x0C	A_CORNER	R	W	16	0x0000	Channel A current voltage waveform phase angle register
0x0D	B_CORNER	R	W	16	0x0000	Channel B current voltage waveform phase angle register

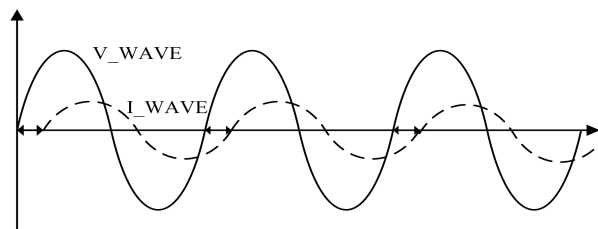


Figure 10

Phase Angle conversion formula: $2 * \pi * A/B_CORNER * \frac{f_c}{f_0}$, The unit is radian

Among them, f_c is the frequency of the AC signal source, the default value is 50Hz. f_0 is the sampling frequency, the typical value is 1MHz.

9.11 Zero Crossing Detection

SSP1839 has the voltage zero-crossing detection function, and the zero-crossing signal is directly output by pin ZX. When ZX=0, it indicates the positive half cycle of the waveform, and when ZX=1, it indicates the negative half cycle of the waveform. The delay between the zero-crossing signal and the actual input signal is about 570us.

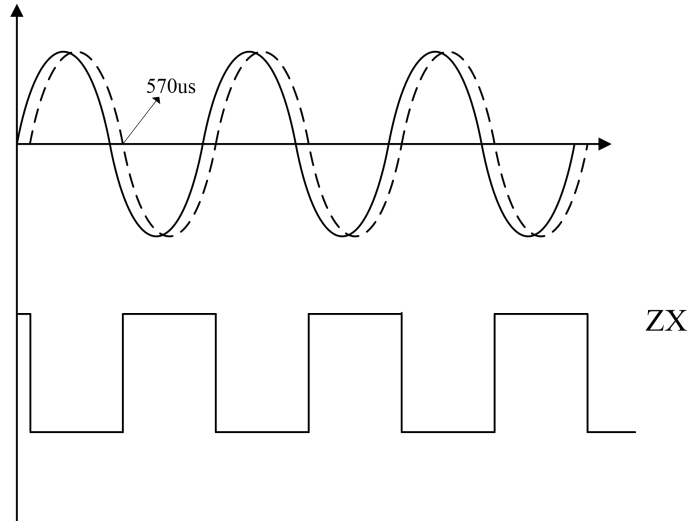


Figure 11

9.12 Temperature Measurement

SSP1839 supports internal temperature measurement and external temperature measurement.

External temperature measurement, optional output alarm indicator, Turn on the alarm function, CF pin selection output alarm signal, the CF pin will output high-level if the TPS2 is greater than or equal to the alarm threshold, Temperature indicator alarm. when the temperature value is lower than the alarm value or the alarm function is turned off, Exit alarm indicator.

0x1B	TPS_CTRL	Temperature mode control register		
No.	name	default value	description	
0x1B	TPS_CTRL	0x07FF	[15] Temperature measurement switch, default 0b0, Open the temperature measurement	0: on
				1: off
			[14] Alarm selection , default 0b0,	0: Temperature alarm on
				1: Channel A leakage/over-current alarm on
		[13:12]Temperature measurement selection, default 0b00	00: Automatic temperature measurement	
			01: the same as 00	
			10: internal temperature measurement	
			11: external temperature measurement	

			[11:10]Temperature measurement interval selection , default 0b01 100ms	00: 50ms
				01: 100ms
				10: 200ms
				11: 400ms
			[9:0]External temperature alarm threshold, default 0x3FF	

First set MODE[12]=1, and then set TPS_CTRL[14]=0, then CF pin is turned on to output external temperature alarm indicator.

0x18	MODE	User mode selection register		
No.	name	default value	description	
12	CF_UNABLE	0b0	CF output function selection	0: energy pulse, enable by MODE[11] configured 1: Temperature measurement alarm, enable by TPS[14] configured

The external and internal temperature values are saved in the TPS2 and TPS1 registers respectively.

Address	Symbol	External	Internal	Bits	Default	Description
		R/W	R/W			
0x0E	TPS1	R	W	10	0x0000	Internal temperature register, unsigned
0x0F	TPS2	R	W	10	0x0000	External temperature register, unsigned

Internal temperature measurement formula: $T_x = (170/448)(TB/2 - 32) - 45$

TB is the value in TPS1.

The external temperature is measured by SAR ADC. The maximum input signal of the VT pin is $0.55 * V_{DD}$ (V), The TPS2 register value is the corresponding AD sampling value, full scale is 1024.

Address	Symbol	External	Internal	Bits	Default	Description
		R/W	R/W			
0x1C	TPS2_A	R/W	R	8	0x00	External temperature sensor gain coefficient correction A register
0x1D	TPS2_B	R/W	R	8	0x00	External temperature sensor offset coefficient correction B register

10. Communication Interface

Register data are sent as 3 bytes (24bit). The data is fixed 3 bytes, if valid data bytes are less than 3 bytes, invalid bits are filled with 0.

10.1 SPI

- Select by pin UART_SELL, multiplex with UART
- Slave mode
- Half-duplex communication, the communication rate can be configured, the maximum communication rate is 900khz
- 8-bit data transmission, MSB first, LSB last

- Clock polarity / phase (CPOL = 0, CPHA = 1)

10.1.1 Operation Mode

The master device works in Mode1: CPOL=0, CPHA=1, In idle state, SCLK is at low-level. Data is transmitted on the first edge, which is the transition from low level to high level of SCLK, so data is received on the falling edge and data is sent on the rising edge.

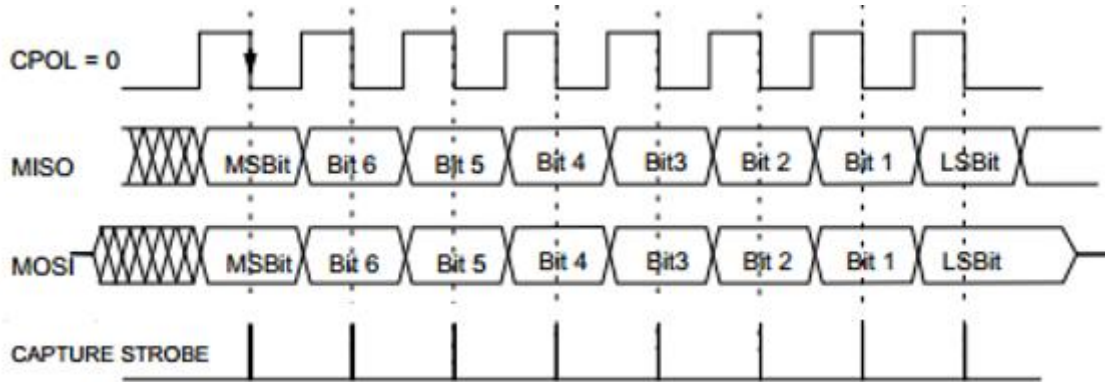


Figure 12

10.1.2 Frame Structure

In SPI communication mode, MCU send 8-bit identification byte (0x55) or (0xA5). (0x55) is the read operation identification byte and (0xA5) is the write operation identification byte. Then send the address byte of the register will be accessed (refer to SSP1839 register list). The below figure shows the data transfer sequence for read and write operations respectively. After one frame of data is transmitted, SSP1839 re-enters the communication mode. The number of SCLK pulses required for each reading and writing operation is 48 bits.

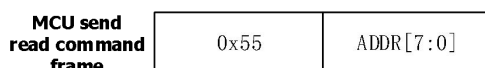
There are two types of frame structures, which are explained as follows:

- 1) Write operation frame



The checksum byte is $((0xA5 + ADDR + DATA_H + DATA_M + DATA_L) \& 0xFF)$ and then bitwise inverted.

- 2) Read operation frame



The checksum byte is $((0x55 + ADDR + DATA_H + DATA_M + DATA_L) \& 0xFF)$ and then bitwise

inverted.

10.1.3 Write Operation Timing

The serial write timing is performed as follows. The frame identification byte {0xA5} indicates that the data communication operation is data writing. The MCU need make the data ready before the lower edge of SCLK, and shift the data at the lower edge of this clock. All remaining bits of the data are also shifted left on the lower edge of this SCLK (Figure 13).

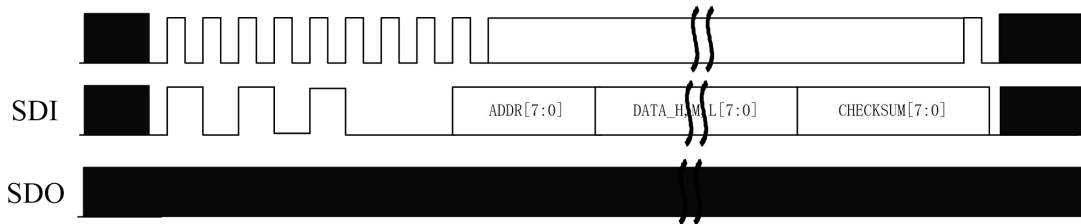


Figure 13

10.1.4 Read Operation Timing

During the data read operation, SSP1839 shifts the corresponding data to the DOUT pin on the rising edge of SCLK. DOUT keeps unchanged during SCLK =1.MCU can sample DOUT value before the next falling edge. MCU must send a read command frame first before read operation.

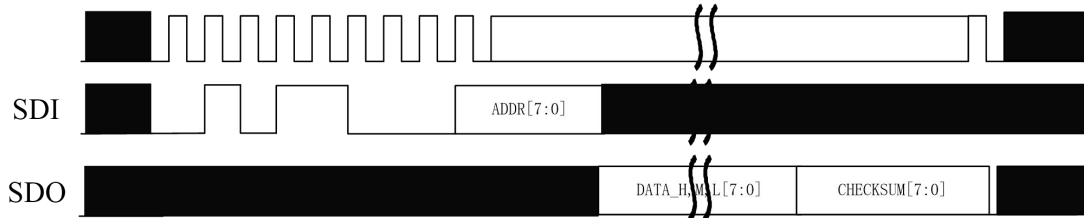


Figure 14

When SSP1839 is in communication mode, the frame identification byte {0x55} indicates that the data communication operation is data reading. After receiving the register address, SSP1839 starts to shift out the data in the register on the rising edge of SCLK (Figure 14). All remaining bits of the register data are shifted out on subsequent rising SCLK edges. Therefore, On the falling edge of SCLK, an external device can sample the output data of the SPI. Once the read operation is completed, SPI re-enters the communication mode. SDO enters a high-impedance state on the falling edge of the last SCLK signal.

10.1.5 Fault-tolerant mechanism of SPI interface

SPI supports soft reset function, reset SPI interface individually by sending 6 bytes of 0xFF.

Note: SPI communication does not support chip selection. If 20PIN package is selected, A4A2 should be grounded and A3A1 connected to high level.

10.2 UART Communication methods

10.2.1 Summarize

SSP1839 supports UART communication. The UART interface only requires two low speed optocouplers to achieve isolated communication.

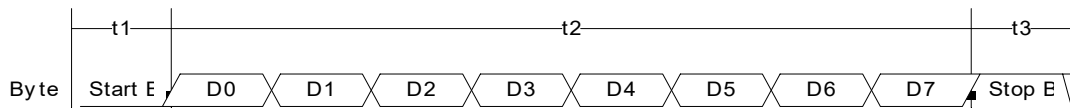
Baud rate: 4800bps Check bits: None Data bits: 8 Stop bits: 1.5 Slave mode, half-duplex communication.

Both packages have UART communication, 20 PIN package with chip selection address [A4 A3 A2 A1], device address 00 to 15 can be set.

10.2.2 Description

UART port Settings: Communication baud rate is 4800bps, no parity, stop bit 1.5 .

10.2.3 Byte Formation



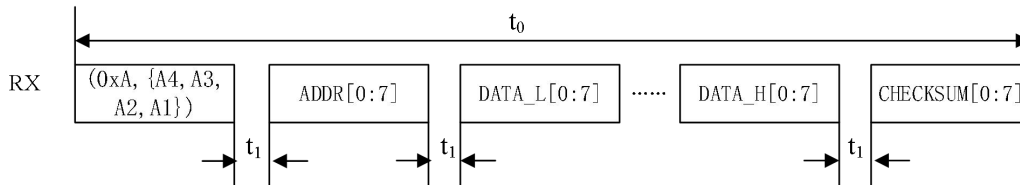
Start bit low duration: $t_1=208\mu s$;

Valid data bit duration: $t_2=208*8=1664\mu s$

Stop bit high duration: $t_3=208\mu s+104\mu s$

10.2.4 Write Timing

The data write sequence of the host UART is shown in the figure below. The host sends command bytes (0xA, {A4,A3,A2,A1}) first, then write address bytes (ADDR), then sends data bytes in sequence, and finally checksum bytes.



(0xA, {A4,A3,A2,A1}) is the frame identification byte for the write operation. If [A4: A1]=0101, the device address is 5 and the frame identification byte is 0xA5.

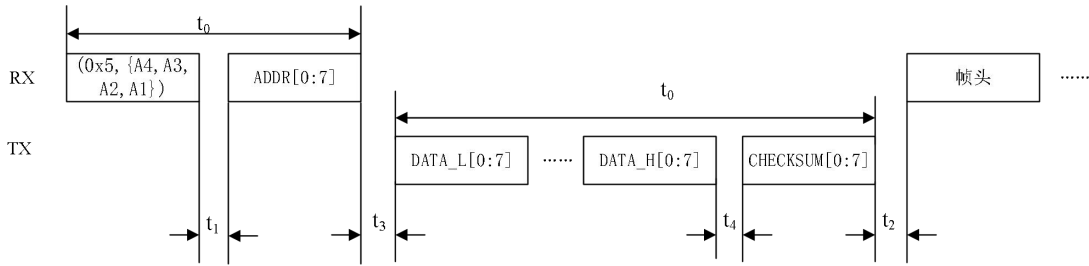
ADDR is the internal target register in SSP1839 corresponding to the write operation.

The checksum byte is $((0xA, \{A4,A3,A2,A1\}) + ADDR + Data_L + Data_M + Data_H) \& 0xFF$ and then bitwise inverted.

Note: The address of SSP1839-SOP16 is 5, that is, the first byte is 0xA5.

10.2.5 Read Timing

The timing of reading data is shown below. MCU first sends the command bte (0x5, {A4,A3,A2,A1}) and the address of the target register (ADDR), and then SSP1839 sends data bytes in sequence. Finally sends the checksum byte.



(0x55, {A4, A3, A2, A1}) is the frame identification byte for the read operation. If [A4: A1]=0101, the device address is 5 and the frame identification byte is 0x55.

ADDR is the internal target register in SSP1839 corresponding to the read operation.

The checksum byte is $((0x55, \{A4, A3, A2, A1\}) + ADDR + Data_L + Data_M + Data_H) \& 0xFF$ and then bitwise inverted.

10.2.6 Timing Description

	Description	Min	Type	Max	Unit
t1	Interval between MCU sending bytes	0		20	mS
t2	Frame interval	0.5			uS
t3	Interval between the end of MCU sending register address and SSP1839 sending byte during read operation		72		uS
t4	Interval between SSP1839 sending bytes		116		uS

10.2.7 Packet sending mode

After received the command "(0x55, {A4, A3, A2, A1}) + 0xAA", SSP1839 will return a full electrical parameter data packet. The returned data packet has a total of 35 bytes, and 4800bps takes 77ms. The specific format is: Frame head (1byte head) → Current A fast effective value (3byte IA_FAST_RMS) → Current A effective value (3byte IA_RMS) → Current B effective value (3byte IB_RMS) → Current B fast effective value (3byte IB_FAST_RMS) → Channel A power value (3byte A_WATT) → Channel B power value (3byte B_WATT) → Channel A pulse meter value (3byte CFA_CNT) → Channel B pulse meter value (3byte CFB_CNT) → Internal thermometer value (2byte TPS1 + 1byte 0) → External thermometer value (2byte TPS2 + 1byte 0) → Checksum value (1byte CHECKSUM) .

10.2.8 Full electrical parameter data packet format

Name	No.	Value	Name	No.	Value
Frame head	0	Head (0x55)		19	B_WATT_l
IA_FAST_RMS	1	IA_FAST_RMS_l	B_WATT	20	B_WATT_m
	2	IA_FAST_RMS_m		21	B_WATT_h
	3	IA_FAST_RMS_h		22	CFA_CNT_l
IA_RMS	4	IA_RMS_l	CFA_CNT	23	CFA_CNT_m
	5	IA_RMS_m		24	CFA_CNT_h
	6	IA_RMS_h		25	CFB_CNT_l
IB_RMS	7	IB_RMS_l	CFB_CNT	26	CFB_CNT_m
	8	IB_RMS_m		27	CFB_CNT_h
	9	IB_RMS_h		TPS1	28

V_RMS	10	V_RMS_l	TPS2	29	TPS1_m
	11	V_RMS_m		30	0x00
	12	V_RMS_h		31	TPS2_l
IB_FAST_RMS	13	IB_FAST_RMS_l	TPS2	32	TPS2_m
	14	IB_FAST_RMS_m		33	0x00
	15	IB_FAST_RMS_h	checksum	34	checksum
A_WATT	16	A_WATT_l			
	17	A_WATT_m			
	18	A_WATT_h			

checksum=(((0x5,{A4,A3,A2,A1}) + 0x55 + data1_l + data1_m + data1_h +.....)& 0xff) and then bitwise inverted.

10.2.9 Protection mechanism of UART interface

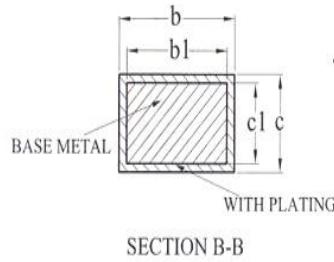
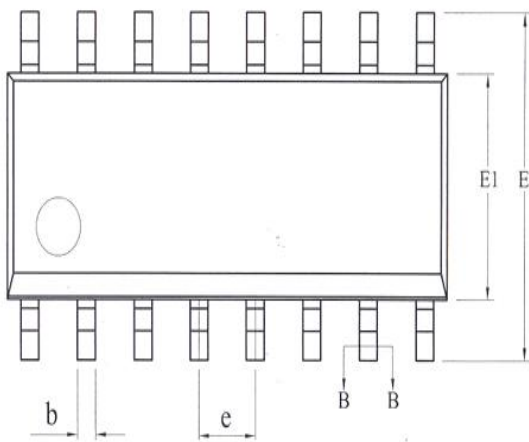
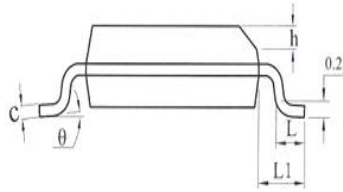
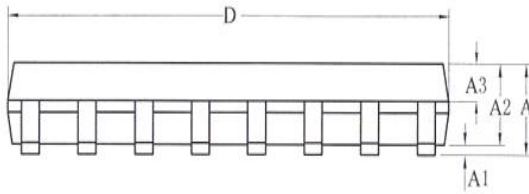
UART communication has a timeout protection mechanism. If the interval between bytes exceeds 18.5ms, the UART interface will automatically reset.

If the frame identification byte is incorrect or the checksum byte is incorrect, the frame data will be discarded.

UART module reset: The RX pin is pulled high after the low-level exceeds 6.65mS, and the UART module will be reset.

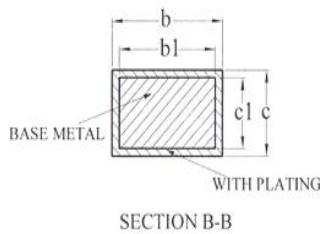
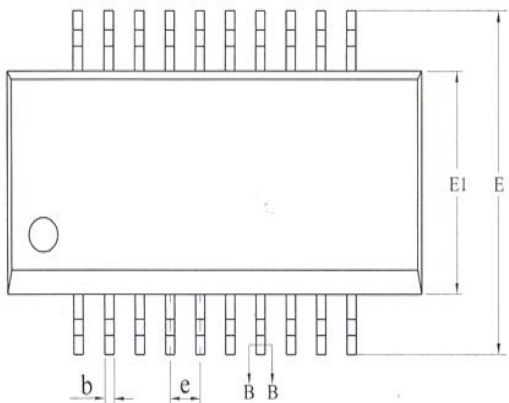
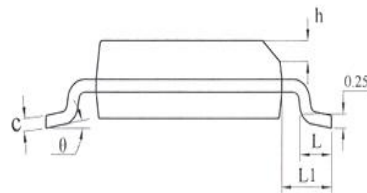
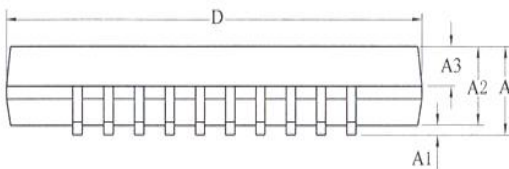
11. Package Information

SOP16L



SYMBOL	MILLIMETER		
	MIN	NOM	MAX
A	—	—	1.75
A1	0.10	—	0.225
A2	1.30	1.40	1.50
A3	0.60	0.65	0.70
b	0.39	—	0.47
b1	0.38	0.41	0.44
c	0.20	—	0.24
c1	0.19	0.20	0.21
D	9.80	9.90	10.00
E	5.80	6.00	6.20
E1	3.80	3.90	4.00
e	1.27BSC		
h	0.25	—	0.50
L	0.50	—	0.80
L1	1.05REF		
θ	0	—	8°

SSOP20L



SYMBOL	MILLIMETER		
	MIN	NOM	MAX
A	—	—	1.75
A1	0.10	0.15	0.25
A2	1.30	1.40	1.50
A3	0.60	0.65	0.70
b	0.23	—	0.31
b1	0.22	0.25	0.28
c	0.20	—	0.24
c1	0.19	0.20	0.21
D	8.55	8.65	8.75
E	5.80	6.00	6.20
E1	3.80	3.90	4.00
e	0.635BSC		
h	0.30	—	0.50
L	0.50	—	0.80
L1	1.05REF		
θ	0	—	8°

12. Special Instructions

The company reserves the right of final interpretation of this specification.

Version Change Description

Version: V1.03

Author: Lifeng Liu

Time: 2021.9.09

Modify the record:

1. Re-typesetting the manual and checking some data
-

Statement

The information in the usage specification is correct at the time of publication, Shanghai Siproin Microelectronics Co. has the right to change and interpret the specification, and reserves the right to modify the product without prior notice. Users can obtain the latest version information from our official website or other effective channels before confirmation, and verify whether the relevant information is complete and up to date.

With any semiconductor product, there is a certain possibility of failure or failure under certain conditions. The buyer is responsible for complying with safety standards and taking safety measures when using the product for system design and complete machine manufacturing. The product is not authorized to be used as a critical component in life-saving or life-sustaining products or systems, in order to avoid potential failure risks that may cause personal injury or property loss.