



TAI-SAW TECHNOLOGY CO., LTD.

No. 3, Industrial 2nd Rd., Ping-Chen Industrial District,
Taoyuan, 324, Taiwan, R.O.C.

TEL: 886-3-4690038 FAX: 886-3-4697532

E-mail: tstsales@mail.taisaw.com Web: www.taisaw.com

Approval Sheet For Product Specification

Issued Date:

Product Name: SAW Filter 922.5MHz SMD 3.0×3.0mm

TST Parts No.:TA0775A

Customer Parts No.:_____

Company: _____
Division: _____
Approved by : _____
Date: _____

Checked by: _____ Asin Lin

Approval by: _____ Francis Chen

Date: _____ 2007/11/02



TAI-SAW TECHNOLOGY CO., LTD.

No. 3, Industrial 2nd Rd., Ping-Chen Industrial District,
Taoyuan, 324, Taiwan, R.O.C.

TEL: 886-3-4690038 FAX: 886-3-4697532

E-mail: tstsales@mail.taisaw.com Web: www.taisaw.com

SAW Filter 922.5 MHz

MODEL NO.: TA0775A

REV. NO.: 1

A. MAXIMUM RATING:

1. Input Power Level: 10 dB_m
2. DC voltage: 5 V
3. Operating Temperature: -20°C to 75°C
4. Storage Temperature: -40°C to +85°C

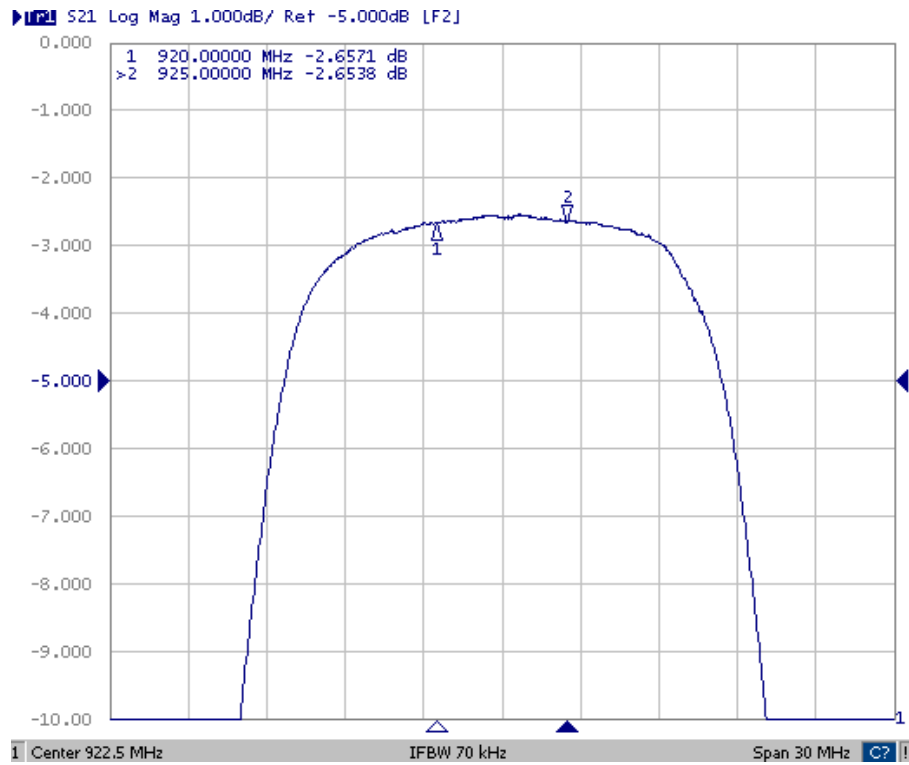
RoHS Compliant
Lead free
Lead-free soldering

B. CHARACTERISTICS:

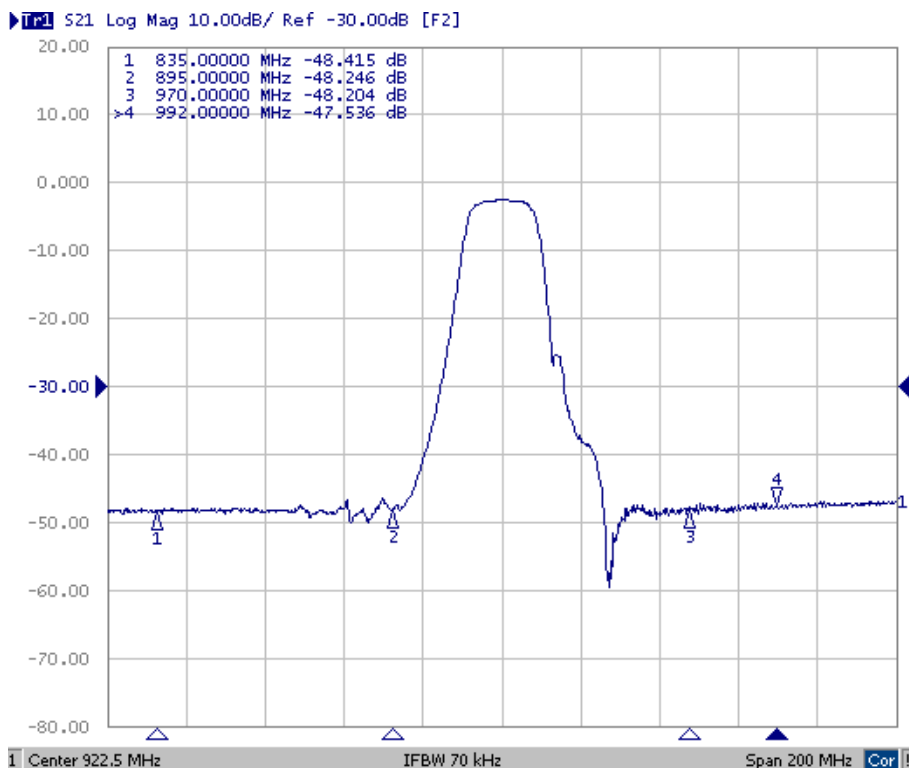
Item			Min.	Typ.	Max.
Center frequency	Fc	MHz	-	922.5	-
Insertion loss	920 ~ 925 MHz IL	(dB)	-	2.7	4.2
Amplitude ripple	920 ~ 925 MHz	(dB)	-	0.4	2.0
Attenuation (Reference level from 0dB)					
	775 ~ 835 MHz	(dB)	40	45	-
	835 ~ 895 MHz	(dB)	36	44	-
	970 ~ 992 MHz	(dB)	36	44	-
	992 ~ 1075 MHz	(dB)	38	45	-
Source impedance	Zs	(Ω)	-	50	-
Load impedance	ZL	(Ω)	-	50	-

Note1. No matching network required for operation at 50Ω

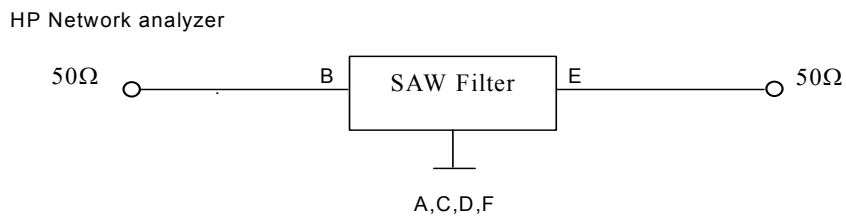
C. Transfer Function :



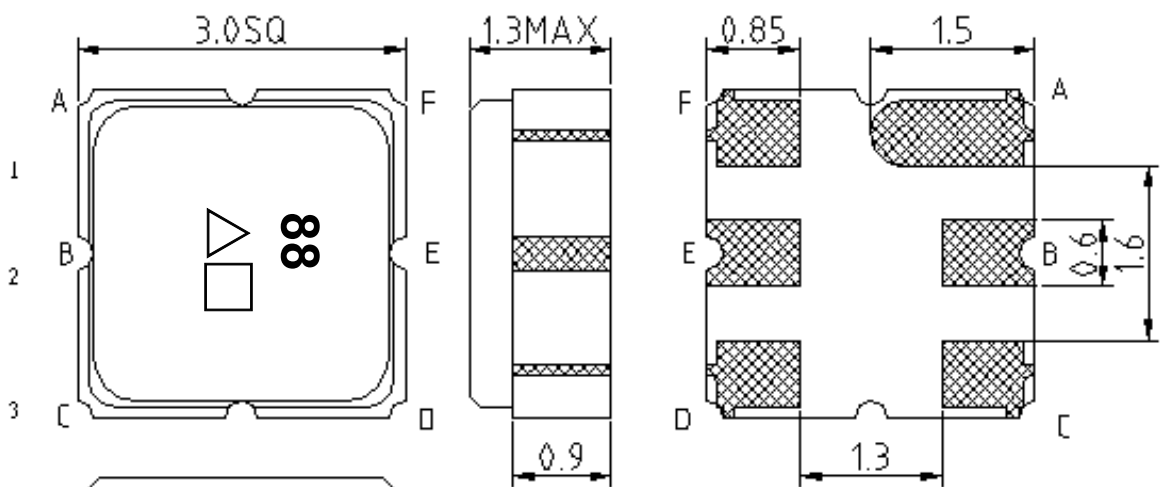
Wideband



D. MEASUREMENT CIRCUIT:

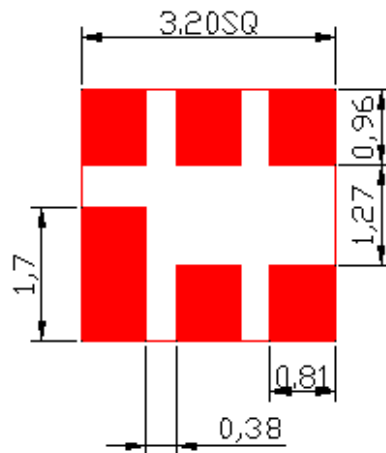


E. OUTLINE DRAWING:



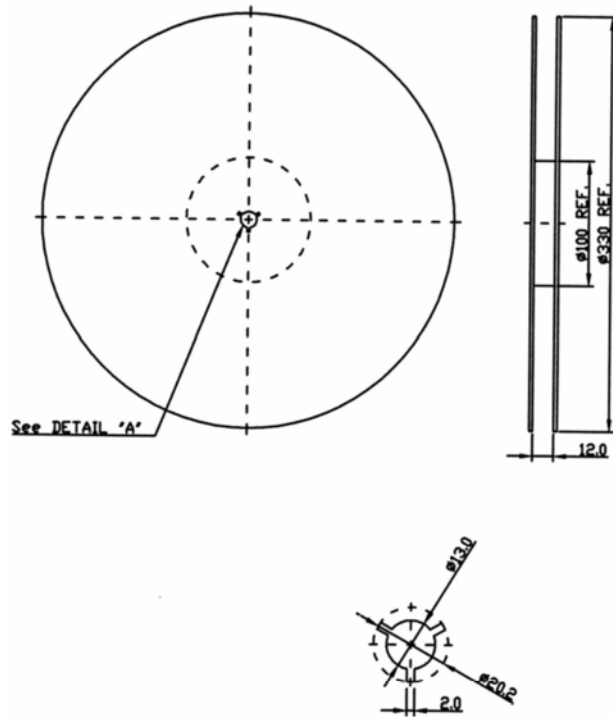
B: Input
 E: Output
 A,C,D,F: Ground
 △: Year code(6 for 2006,7 for 2007,...)
 □: Date code (Provided by planer each year)
 Unit: mm

F.PCB FOOTPRINT:

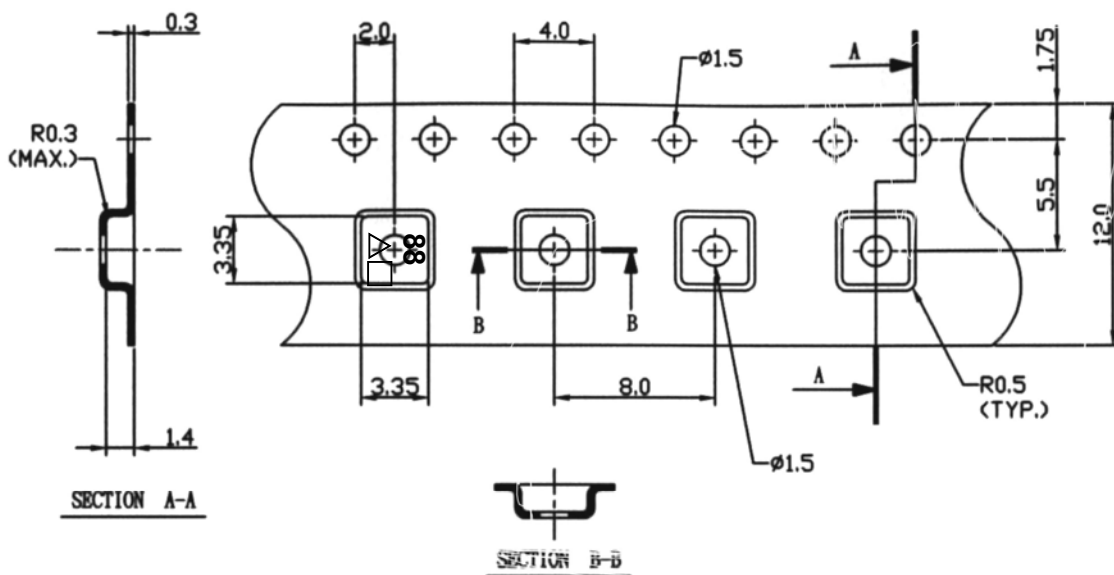


G. PACKING:

1. REEL DIMENSION



2. TAPE DIMENSION



Direction of Feed
→

H.RECOMMENDED REFLOW PROFILE:

