



TAI-SAW TECHNOLOGY CO., LTD.

No. 3, Industrial 2nd Rd., Ping-Chen Industrial District,
Taoyuan, 324, Taiwan, R.O.C.

TEL: 886-3-4690038 FAX: 886-3-4697532

E-mail: tstsales@mail.taisaw.com Web: www.taisaw.com

Approval Sheet For Product Specification

Issued Date:

Product Name: SAW Filter 1002MHz SMD 3.0x3.0mm

TST Parts No.: TA0578A

Customer Parts No.: _____

Company: _____
Division: _____
Approved by : _____
Date: _____

Checked by: _____ Asin Lin

Approval by: _____ Francis Chen

Date: _____ 2006/07/25



TAI-SAW TECHNOLOGY CO., LTD.

No. 3, Industrial 2nd Rd., Ping-Chen Industrial District,
Taoyuan, 324, Taiwan, R.O.C.

TEL: 886-3-4690038 FAX: 886-3-4697532

E-mail: tstsales@mail.taisaw.com Web: www.taisaw.com

SAW Filter 1002 MHz

MODEL NO.: TA0578A

REV. 1.0

A. MAXIMUM RATING:

1. Input Power Level: 10 dB_m
2. DC voltage: 3 V
3. Operating Temperature: -40°C to +85°C
4. Storage Temperature: -40°C to +85°C

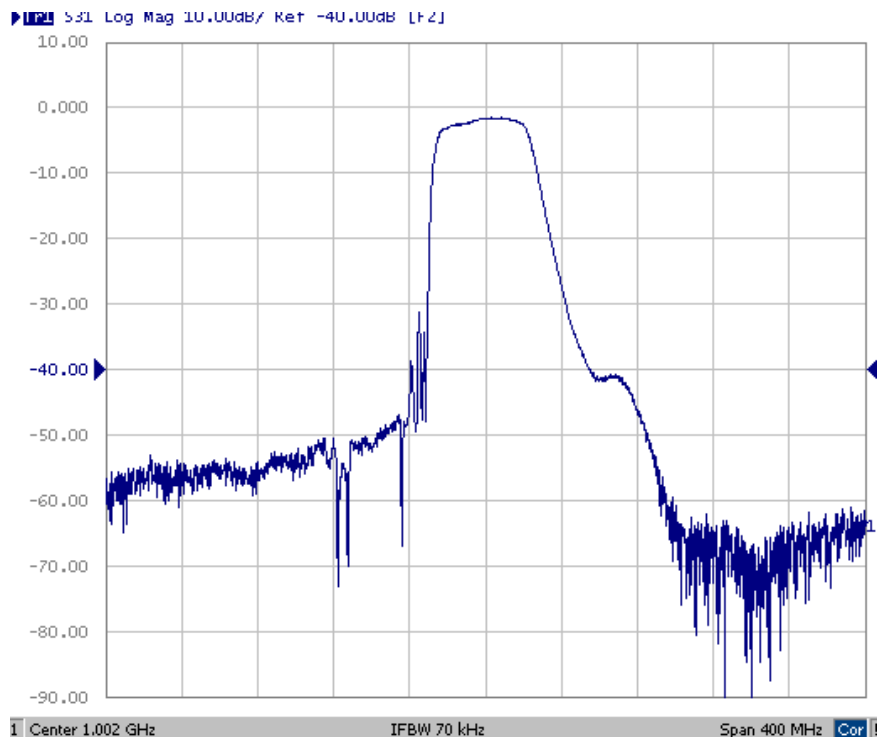
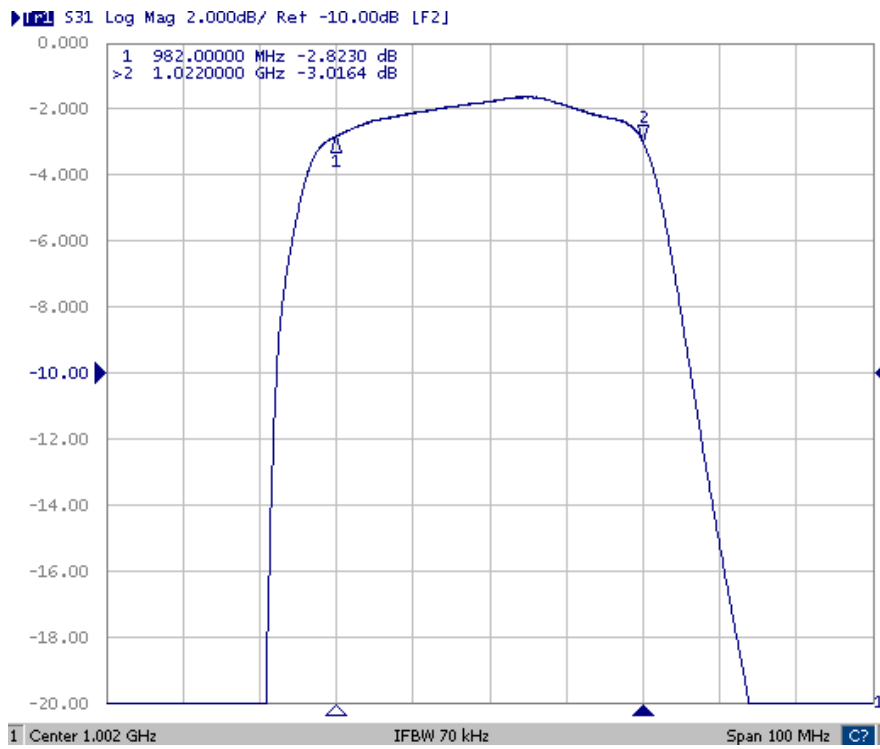
RoHS Compliant
Lead free
Lead-free soldering

B. ELECTRICAL CHARACTERISTICS:

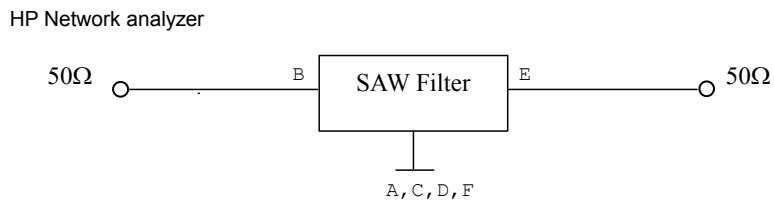
Characteristics				Specification			Note
				Min.	Typ.	Max.	
Center frequency	F _c	MHz	-	1002	-	-	
Insertion loss	982~1022 MHz	I.L.	dB	-	3.5	4.8	-
Ripple	982~1022 MHz		dB	-	2.0	3.1	-
Attenuation: (Reference level from 0 dB)							
	10 ~ 840 MHz		dB	40	48	-	-
	840 ~ 932 MHz		dB	39	46	-	-
	932 ~ 945 MHz		dB	35	40	-	-
	1055 ~ 1070MHz		dB	21	35	-	-
	1070 ~ 1100 MHz		dB	28	38	-	-
	1100 ~ 1158 MHz		dB	39	50	-	-
	1158 ~ 2000 MHz		dB	30	40	-	-
Source Impedance		Z _S	Ω	-	50	-	1
Load Impedance		Z _L	Ω	-	50	-	1

Note1. No matching network required for operation at 50 Ω

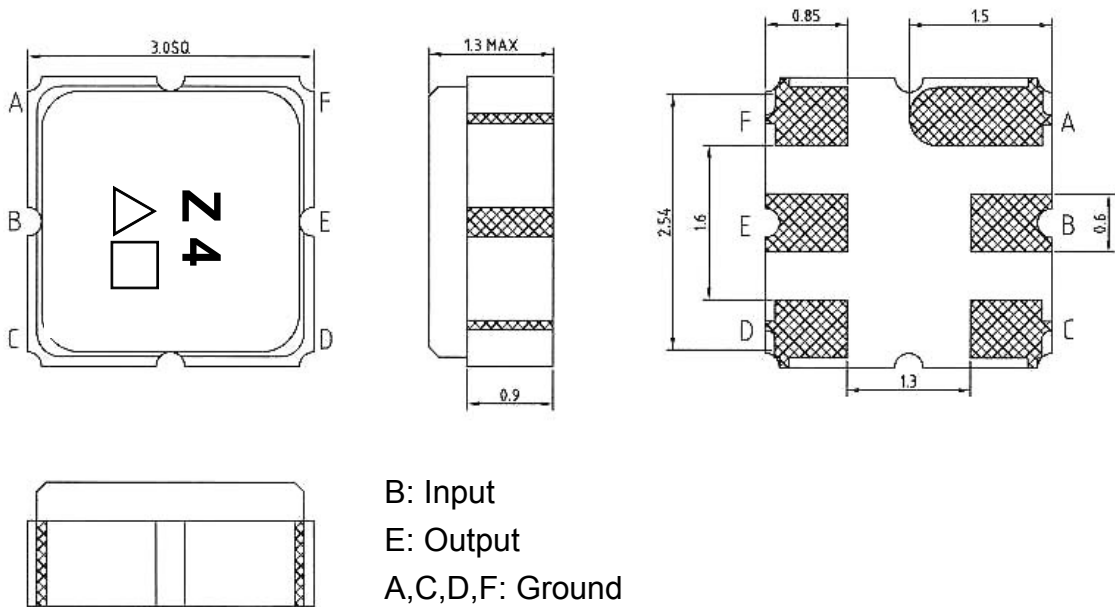
C. Transfer Function :



D. MEASUREMENT CIRCUIT:



E. OUTLINE DRAWING:

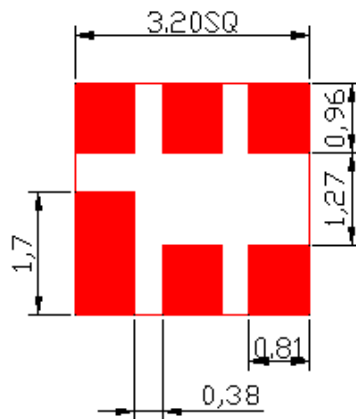


△: Year code : 6 for 2006,7 for 2007,...

□: Date code : Provided by planner each year

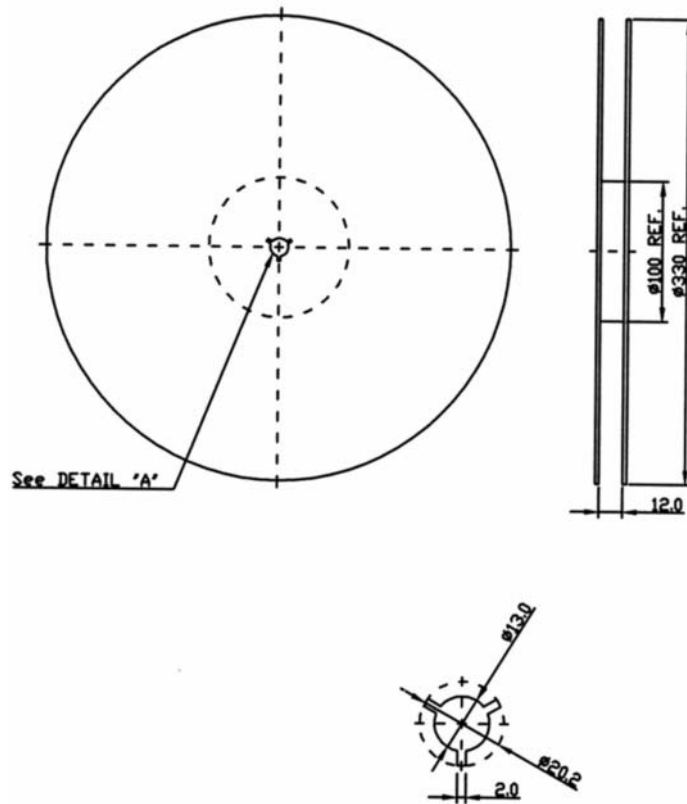
Unit: mm

F. PCB FOOTPRINT:

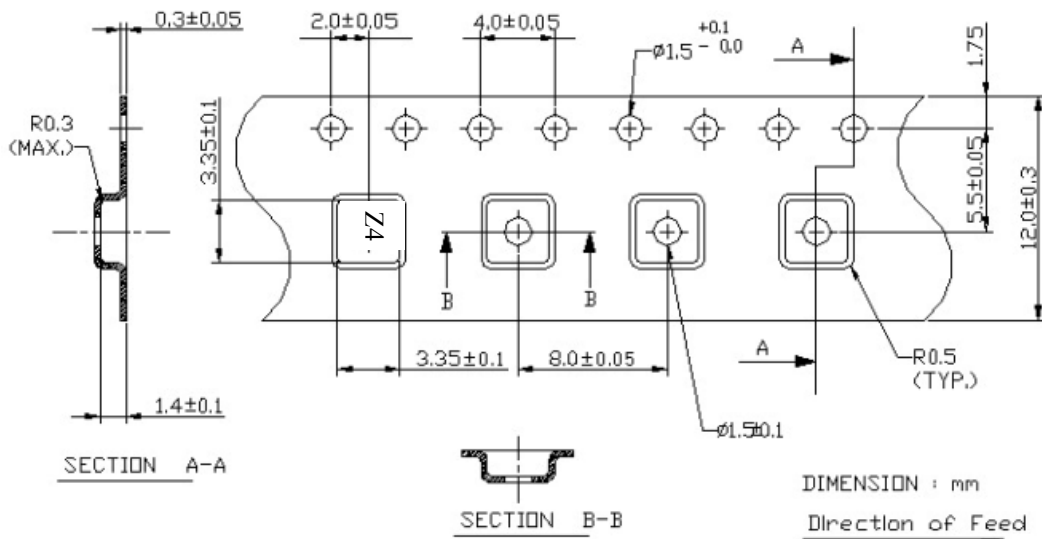


G. PACKING:

1. REEL DIMENSION



2. TAPE DIMENSION



H.RECOMMENDED REFLOW PROFILE:

