



TAI-SAW TECHNOLOGY CO., LTD.

No. 3, Industrial 2nd Rd., Ping-Chen Industrial District,
Taoyuan, 324, Taiwan, R.O.C.

TEL: 886-3-4690038 FAX: 886-3-4697532

E-mail: tstsales@mail.taisaw.com Web: www.taisaw.com

Approval Sheet For Product Specification

Issued Date:

Product Name: SAW Filter 864MHz SMD 3.0×3.0mm

TST Parts No.:TA0416A

Customer Parts No.:_____

Company: _____
Division: _____
Approved by : _____
Date: _____

Checked by: _____ Elvis Chiu

Approval by: _____ Francis Chen

Date: _____ 2005/05/09



TAI-SAW TECHNOLOGY CO., LTD.

No. 3, Industrial 2nd Rd., Ping-Chen Industrial District,
Taoyuan, 324, Taiwan, R.O.C.

TEL: 886-3-4690038 FAX: 886-3-4697532

E-mail: tstsales@mail.taisaw.com Web: www.taisaw.com

SAW Filter 864 MHz

MODEL NO.: TA0416A

REV. NO.2

A. MAXIMUM RATING:

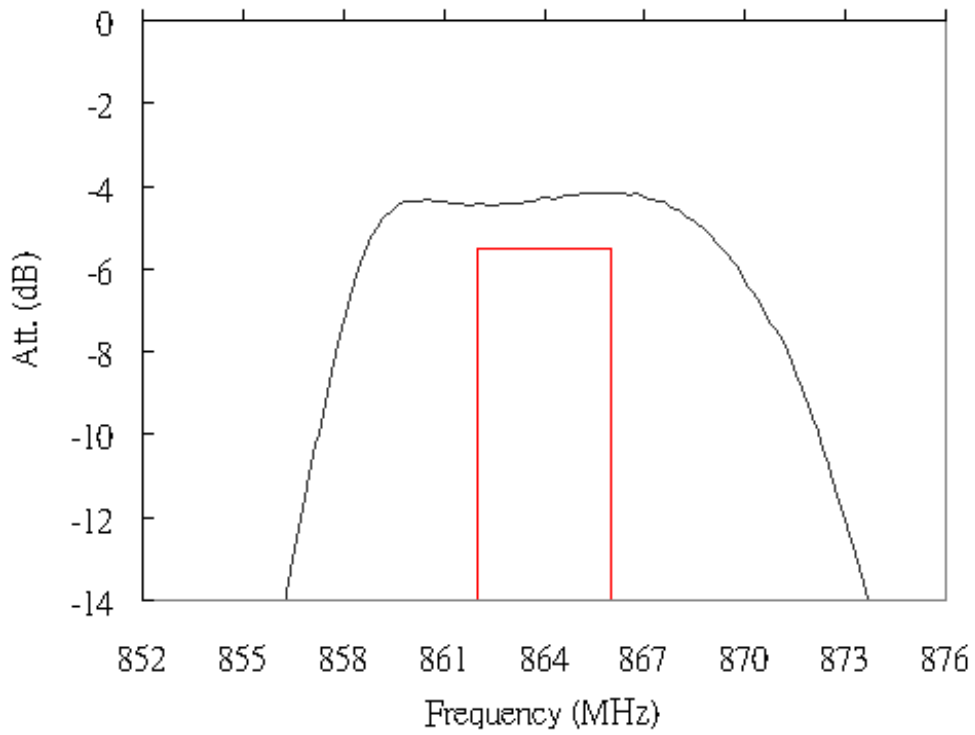
1. Input Power Level: 10 dB_m
2. DC voltage: 5 V
3. Operating Temperature: -10°C to 65°C
4. Storage Temperature: -40°C to +85°C

RoHS Compliant
Lead free
Lead-free soldering

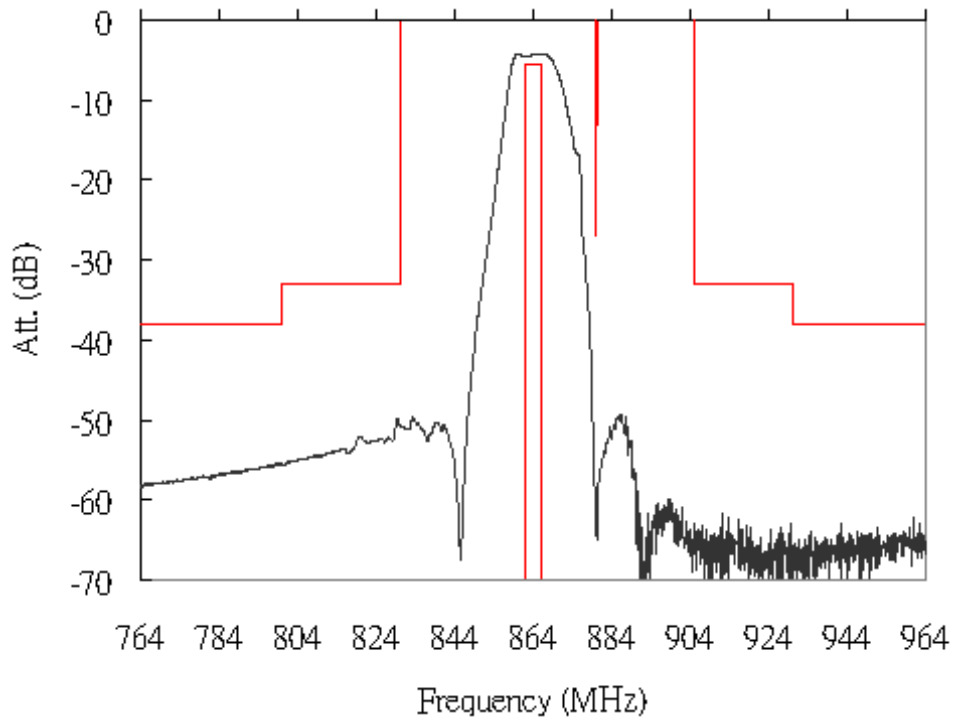
B. CHARACTERISTICS:

Item				Min.	Typ.	Max.
Center frequency	Fc	MHz		-	864	-
Insertion loss	862 ~ 866 MHz	IL	dB	-	4.5	5.5
Amplitude ripple	862 ~ 866 MHz		dB	-	0.4	2.0
Attenuation (Reference level from 0dB)						
720 ~ 800		MHz	dB	38	53	-
800 ~ 830		MHz	dB	33	48	-
880		MHz	dB	27	53	-
905 ~ 930		MHz	dB	33	61	-
930 ~ 1000		MHz	dB	38	58	-
Source impedance		Zs	Ω	-	30	-
Load impedance		ZL	Ω	-	30	-

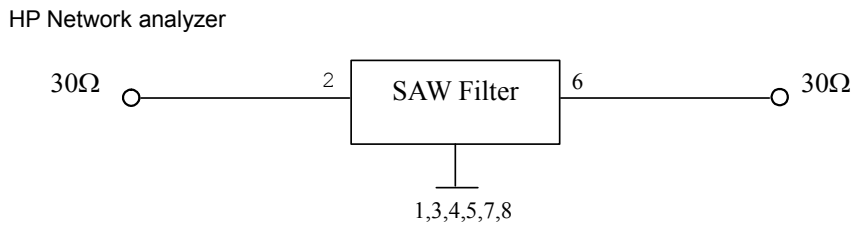
C. Transfer Function :



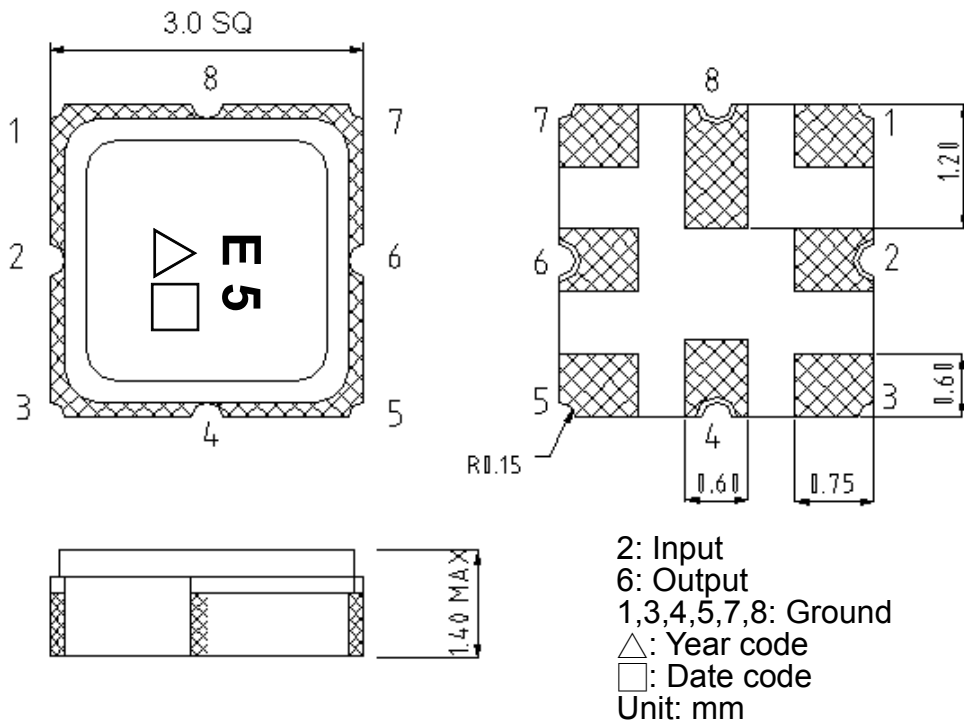
Wideband



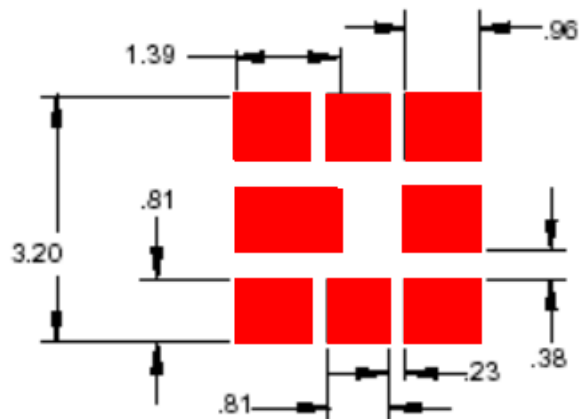
D. MEASUREMENT CIRCUIT:



E. OUTLINE DRAWING:

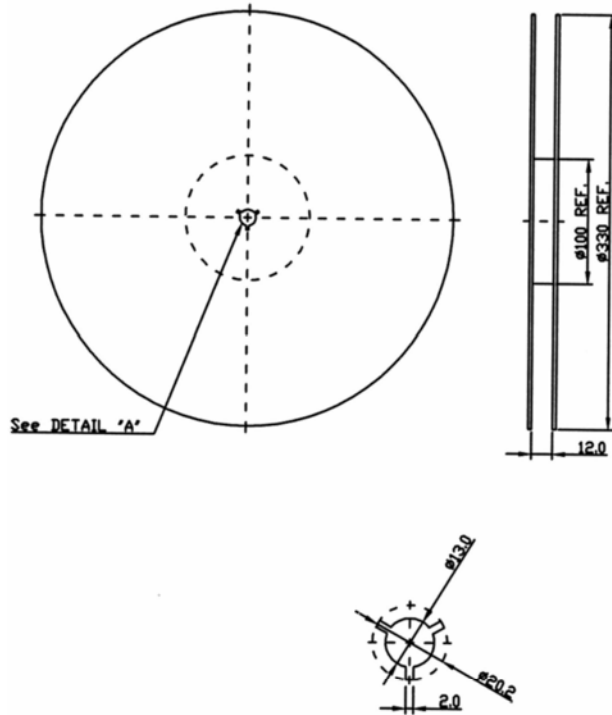


F. PCB FOOTPRINT:



G. PACKING:

1. REEL DIMENSION



2. TAPE DIMENSION

