



GBPC5001W THRU GBPC5010W

VOLTAGE RANGE 100to 1000 Volts
CURRENT 50 Ampere



Features

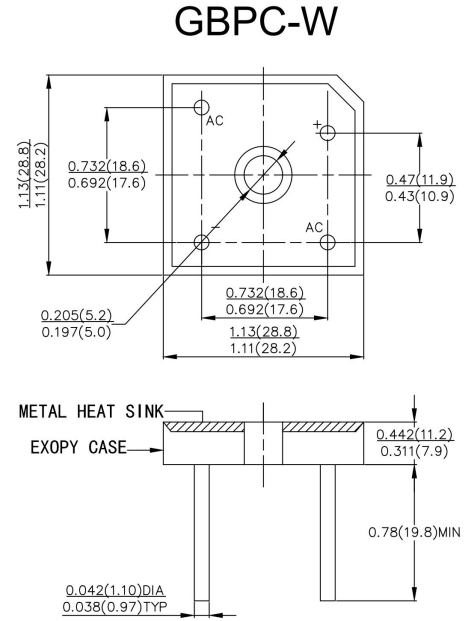
- Rating to 1000V PRV
- High efficiency
- Glass passivated chip junction
- Electrically isolated metal case for maximum heat dissipation
- The plastic material has UL flammability classification 94V-0
- Electrically isolated base-2500 Vlots

Mechanical Data

- Case: Molded plastic with Heatsink internally mounted in the bridge encapsulation
- Polarity: As marked on Body
- Mounting: Hole for # 10 screw
- Weight: 0.47 ounces, 13.4 grams (wire)

Maximum Ratings and Electrical Characteristics

- Ratings at 25°C ambient temperature unless otherwise specified
- Single Phase, half wave, 60Hz, resistive or inductive load
- For capacitive load derate current by 20%



TYPE NUMBER	SYMBOLS	GBPC 5001W	GBPC 5002W	GBPC 5004W	GBPC 5006W	GBPC 5008W	GBPC 5010W	UNIT
Maximum Reverse Peak Repetitive Voltage	V_{RRM}	100	200	400	600	800	1000	Volts
Maximum RMS Voltage	V_{RMS}	70	140	280	420	560	700	Volts
Maximum DC Blocking Voltage	V_{DC}	100	200	400	600	800	1000	Volts
Maximum Average Forward Rectified Output Current, at $T_C = T_A$	$I_{(AV)}$	50						Amps
Peak Forward Surge Current 8.3ms single half sine wave superimposed on rated load	I_{FSM}	500						Amps
Rating for Fusing ($t < 8.3ms$) ^(Note1)	I^2t	1037						A ² s
50Hz,R.M.S,t=1min,I _{iso} :1mA(max)	V_{ISO}	3000						Volts
Maximum Instantaneous Forward Voltage drop Per Bridge element 25A	V_F	1.1						Volts
Maximum Reverse Current at rated DC blocking voltage per element	TA=25°C	5.0						μAmps
	TA=125°C	500						
Typical Junction Capacitance Per Element ^(Note2)	C_j	130						pF
Typical Thermal Resistance ^(NOTE 3)	$R_{θJC}$	5.0						°C/W
Operating Temperature Range	T_j	-55 to +150						°C
Storage Temperature Range	T_{STG}	-55 to +150						°C

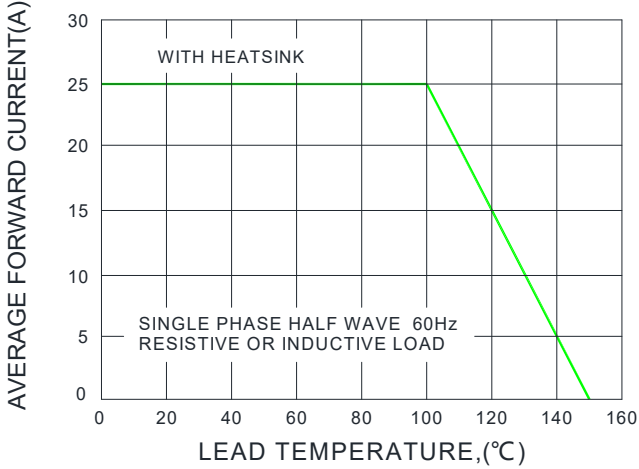
Notes:

1. Measured at non-repetitive,for greater than 1ms and less than 8.3ms.
2. Measured at 1.0MHz and applied reverse voltage of 1.0V DC.
3. Device mounted on 300mm×300mm×1.6mm Cu Plate Heatsink.

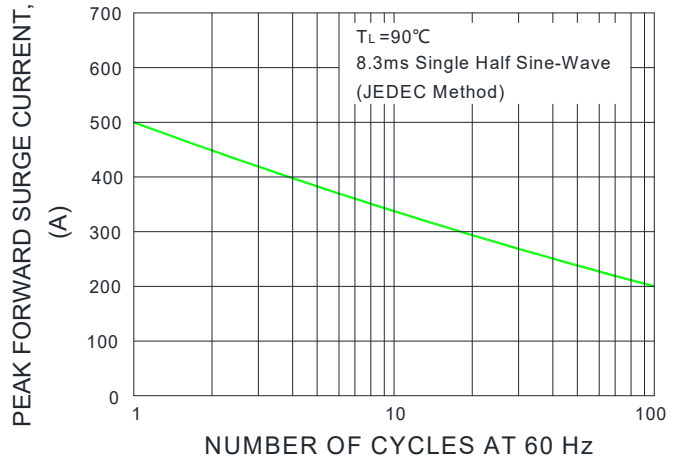


Ratings and Characteristic Curves ($T_A=25^{\circ}\text{C}$ unless otherwise noted)

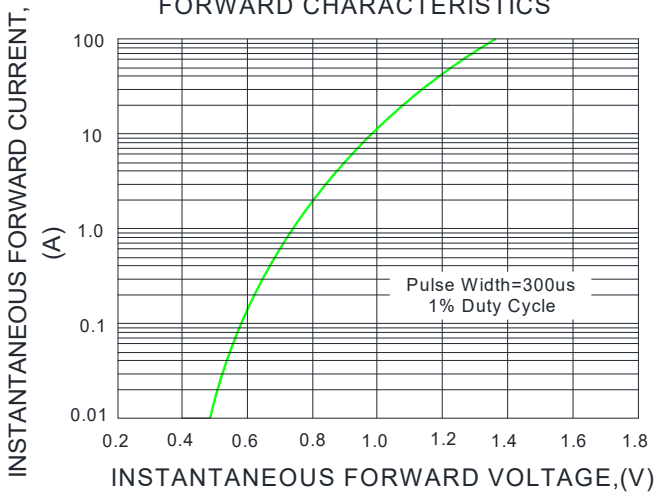
F1G.1-FORWARD CURRENT DERATING CURVE



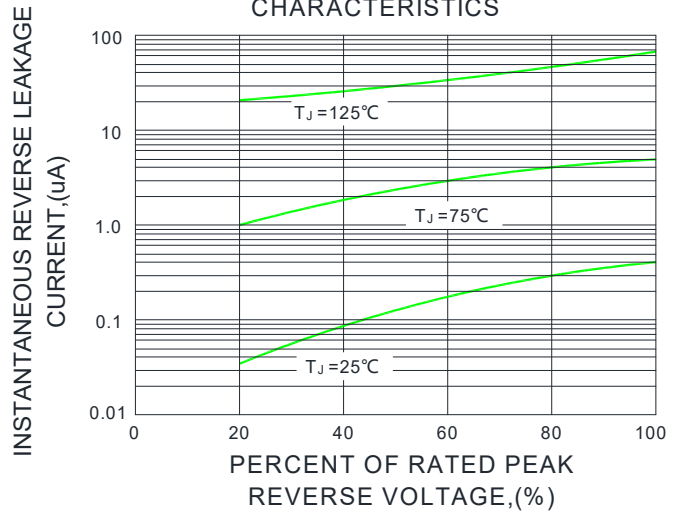
F1G.2-MAXIMUM NON-REPETITIVE PEAK FORWARD SURGE CURRENT



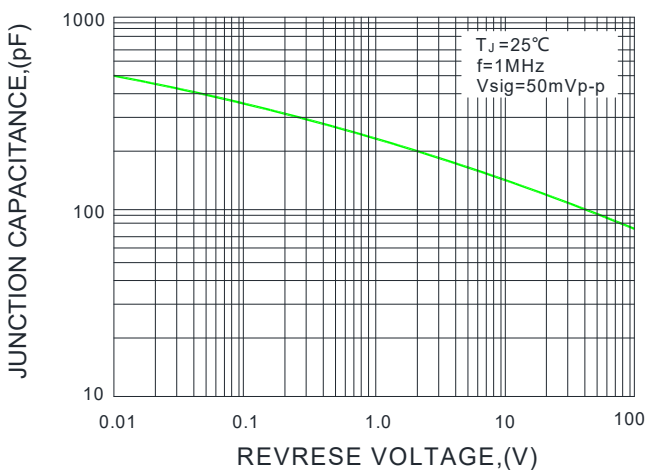
F1G.3-TYPICAL INSTANTANEOUS FORWARD CHARACTERISTICS



F1G.4-TYPICAL REVERSE CHARACTERISTICS



F1G.5-TYPICAL JUNCTION CAPACITANCE





GBPC5001W THRU GBPC5010W

VOLTAGE RANGE	100to 1000 Volts
CURRENT	50 Ampere

Disclaimer

The information presented in this document is for reference only. Chongqing changjie Electronic Technology Co., Ltd. reserves the right to make changes without notice for the specification of the products displayed herein to improve reliability, function or design or otherwise.

The product listed herein is designed to be used with ordinary electronic equipment or devices, and not designed to be used with equipment or devices which require high level of reliability and the malfunction of which would directly endanger human life (such as medical instruments, transportation equipment, aerospace machinery, nuclear-reactor controllers, fuel controllers and other safety devices), Changjie or anyone on its behalf, assumes no responsibility or liability for any damages resulting from such improper use of sale.

This publication supersedes & replaces all information previously supplied. For additional information, please visit our website [http:// www.czlangjie.com](http://www.czlangjie.com) , or consult your nearest Langjie's sales office for further assistance.