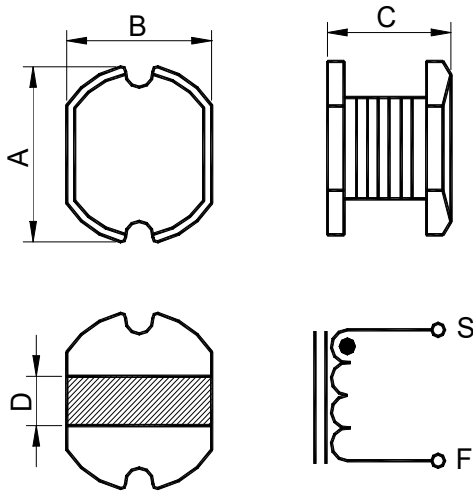


SPECIFICATION FOR APPROVAL

CUSTOMER		CUST P/N.	
ITEM	SMD Power Inductors	Description	CD54N-330K
PART NO.	306-61001	DATE	2022.10.21

(1) DIMENSION(UNIT:mm)



A	5.8 ± 0.5	mm
B	5.5 ± 0.5	mm
C	4.5 ± 0.5	mm
D	1.3 (REF)	mm
E		mm
F		mm
G		mm
H		mm

(2) ELECTRICAL REQUIREMENTS

TEST CONDITION	FREQUENCY	VOLTAGE	(3) TEST INSTRUMENTS	
			LCR-METER:	
L	33.0μH±10%	200KHz 0.25V	V	HP-4291A WK3260B
L _{1.0A}	≥ L _{0A} ×80%	200KHz 0.25V	V	LCR-METER: WK3260B
DCR	0.230Ω(Max)	KHz V	V	DC RESISTANCE METER: WK3260B
IDC	1.0A (Max)	KHz V	V	CURRENT SOURCE: TH2816B+1320
		MHz V		GW PUNCTURE INSULATION TESTER HP-4291A

(4) TURN: 36Ts(REF)

(5) MATERIAL LIST

ITEM	MATERIAL	DESCRIPTION
1	CORE	
2	WIRE	
3	INK	
4		

REMARK:	APPROVED	CHECKED	DRAWN BY
	姜杰文	姜法宝	WEN

TEST DATA FOR PREPRODUCTION SAMPLES

CUSTOMER:							Part No.	306-61001			Test Q'ty:	10			PCS					
CUST P/N.							Description:	CD54N-330K						Date:	2022.10.21					
MEASURE ITEM	L (μ H)			L1.0A (μ H)			DCR (m Ω)			A (mm)			B (mm)			C (mm)				
SPECIFIC	33.0			\geq L0A \times 80%			230.0			5.8			5.5			4.5				
SUGGEST	\pm 10%						Max			\pm 0.5			\pm 0.5			\pm 0.5				
1	32.26	32.63	32.32	31.84	32.03	32.06	196.0	191.0	195.0	5.63	5.55	5.61	5.28	5.28	5.29	4.57	4.68	4.56		
2	32.40	32.63	32.26	31.70	31.86	31.86	190.0	192.0	191.0	5.59	5.53	5.63	5.24	5.31	5.38	4.52	4.71	4.61		
3	32.74	32.56	32.65	31.86	31.86	31.96	192.0	193.0	191.0	5.62	5.63	5.52	5.33	5.32	5.4	4.52	4.74	4.73		
4	32.68	32.54	32.68	31.94	31.75	31.76	191.0	191.0	192.0	5.57	5.62	5.53	5.24	5.45	5.36	4.56	4.7	4.63		
5	32.62	32.96	32.69	32.04	32.15	31.65	195.0	193.0	194.0	5.60	5.56	5.59	5.27	5.30	5.29	4.59	4.57	4.59		
6	32.98	32.95	32.73	32.14	32.06	31.56	191.0	190.0	190.0	5.59	5.56	5.62	5.26	5.31	5.36	4.75	4.69	4.67		
7	32.56	32.68	32.56	31.76	31.95	31.19	198.0	192.0	196.0	5.61	5.63	5.57	5.27	5.34	5.31	4.49	4.65	4.65		
8	32.64	32.74	32.46	31.84	31.86	32.16	200.0	195.0	198.0	5.74	5.61	5.61	5.25	5.38	5.4	4.58	4.66	4.56		
9	32.54	32.65	32.69	31.88	32.15	31.95	196.0	196.0	196.0	5.61	5.52	5.60	5.27	5.32	5.36	4.54	4.59	4.63		
10	32.64	32.95	32.75	32.02	31.68	31.86	191.0	194.0	197.0	5.64	5.59	5.55	5.29	5.35	5.32	4.76	4.71	4.62		
CPK	5.7																			
TEST CONDITION	INSTRUMENTS:		WK3260B												AT:		200 KHz		0.25V	
	ENVIORNMENTS:		TEMP:25 degree HUMDITY :65%																	
	STORAGE TEMPERATURE RANGE						-40 $^{\circ}$ C~+125 $^{\circ}$ C													
	OPERATING TEMPERATURE RANGE						-40 $^{\circ}$ C~+125 $^{\circ}$ C													
REMARK:										APPROVED			CHECKED			DRAWN BY				
										姜杰文			姜法宝			WEN				