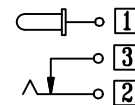


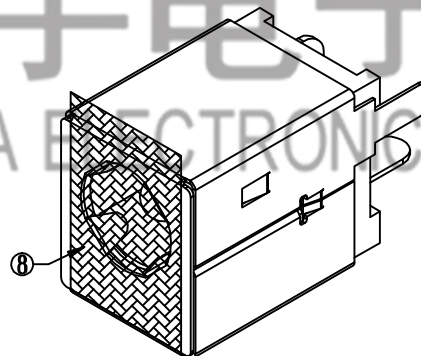
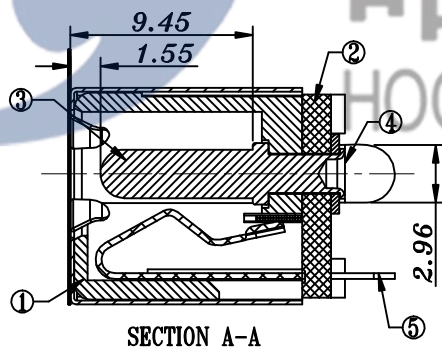
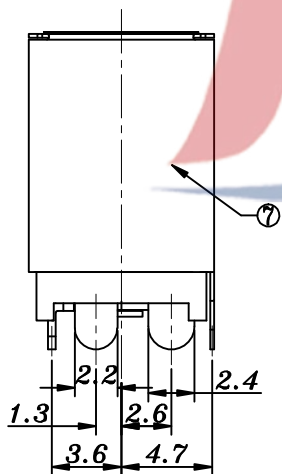
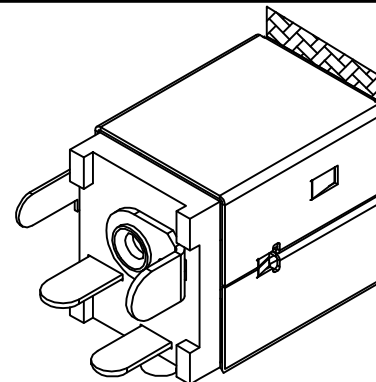
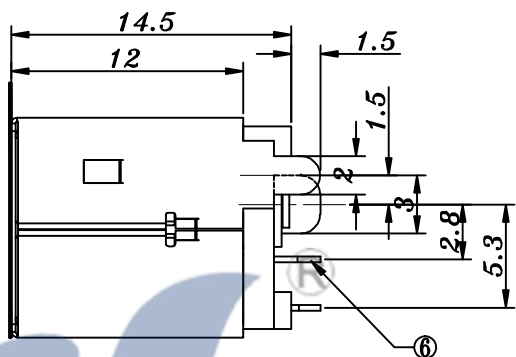
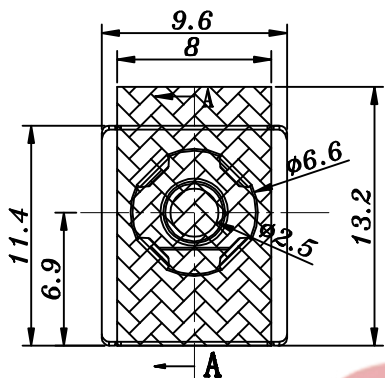
HAOYU

DC-0012G

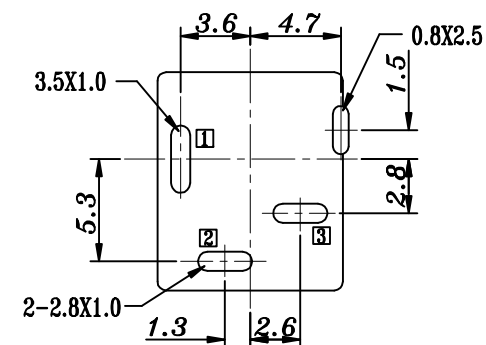


CIRCUIT DIAGRAM

□: TERMINAL NO.



PCB LAYOUT(COPPER-SIDED VIEW)



电话 : 0769-82310511-867  
 邮箱 : hooya89@hooya. hk  
 V: hooya89

8	MYLAR	PET	1	
7	SHELL	SUS301	1	
6	SHUNT TERMINAL ③	BRASS	1	AG-PLATED
5	TIP SRRING ②	PHOSPHOR BRONZE	1	AG-PLATED
4	CENTER PIN TERMINAL ①	BRASS	1	AG-PLATED
3	CERTER PIN ①	BRASS	1	AG-PLATED
2	COVER	PA9T	1	BLACK
1	HOUSING	PA9T	1	BLACK
NO.	PART NAME	MATERIAL	QTY	FINISHING

TOLERANCE								
UNLESS SPECIFIED								
UP TO 5mm: ±0.1	ANGULAR	1						
ABOVE 5mm: ±0.2	±1°							
NO	DATE	REVISIONS		BY	APPD			
TITLE: DC JACK		UNIT : MM	ROHS	DWN				
MODEL: DC-012GØ2.5		SCALE: 1:1	COMPLIANT	CHK'D				
				APPD				
HAOYU(HONGKONG)LIMITED				PRO.AGL:	⊲ ⊕	REV : A		
皓宇(香港)有限公司								