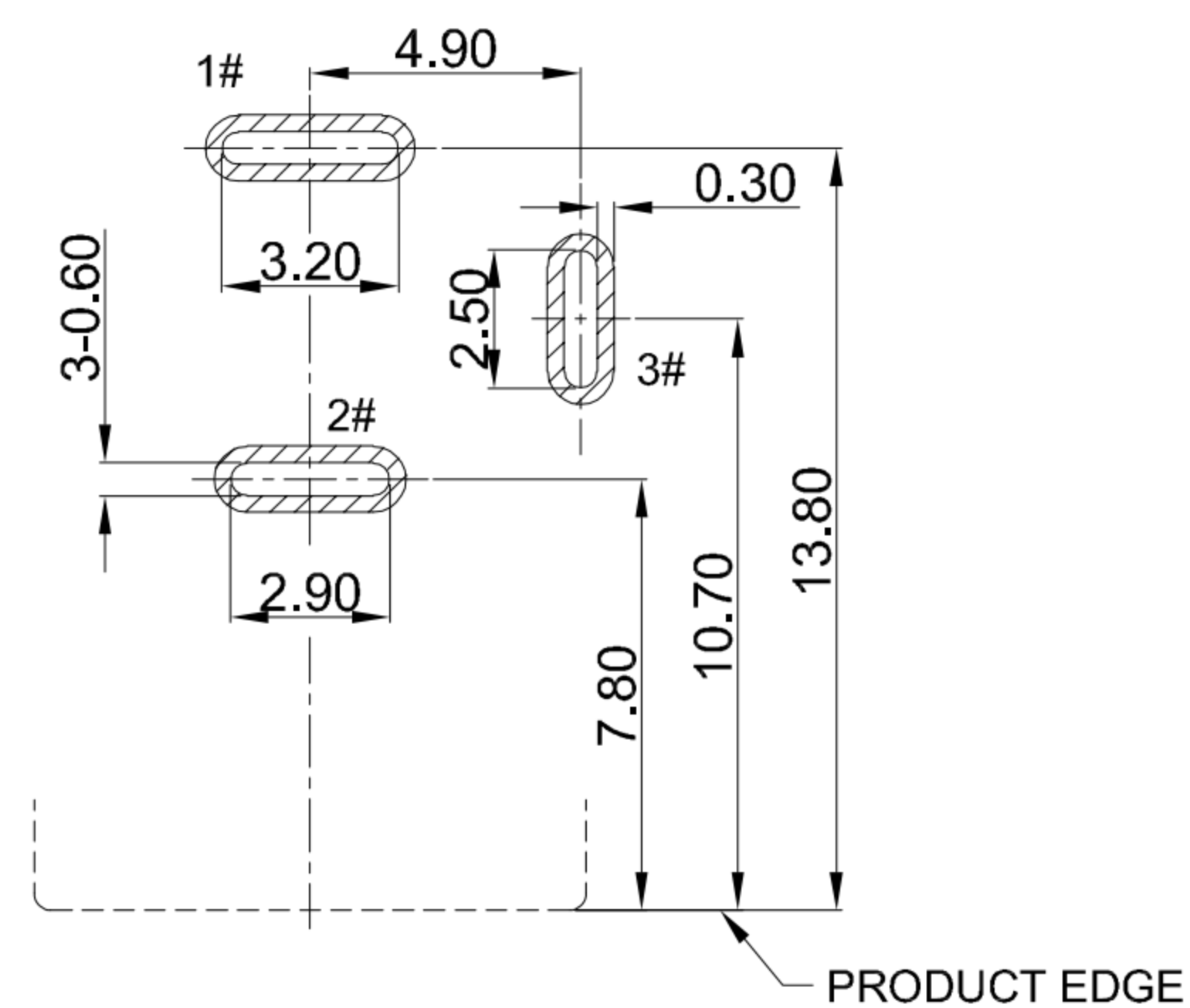
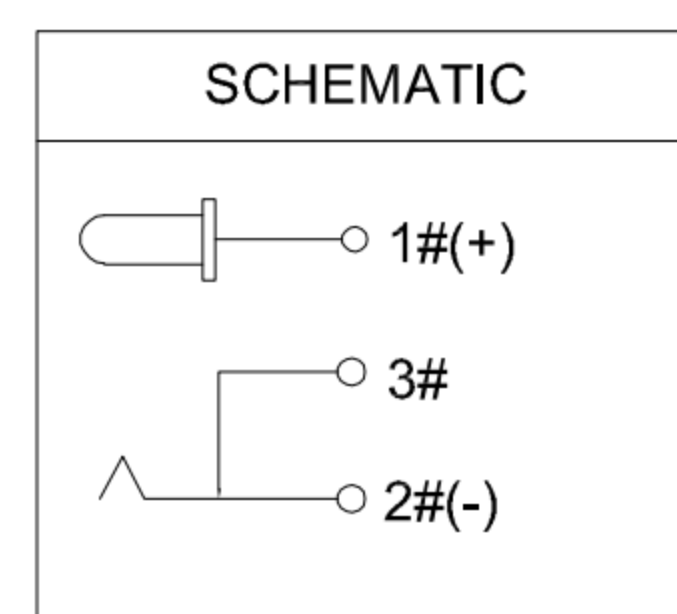


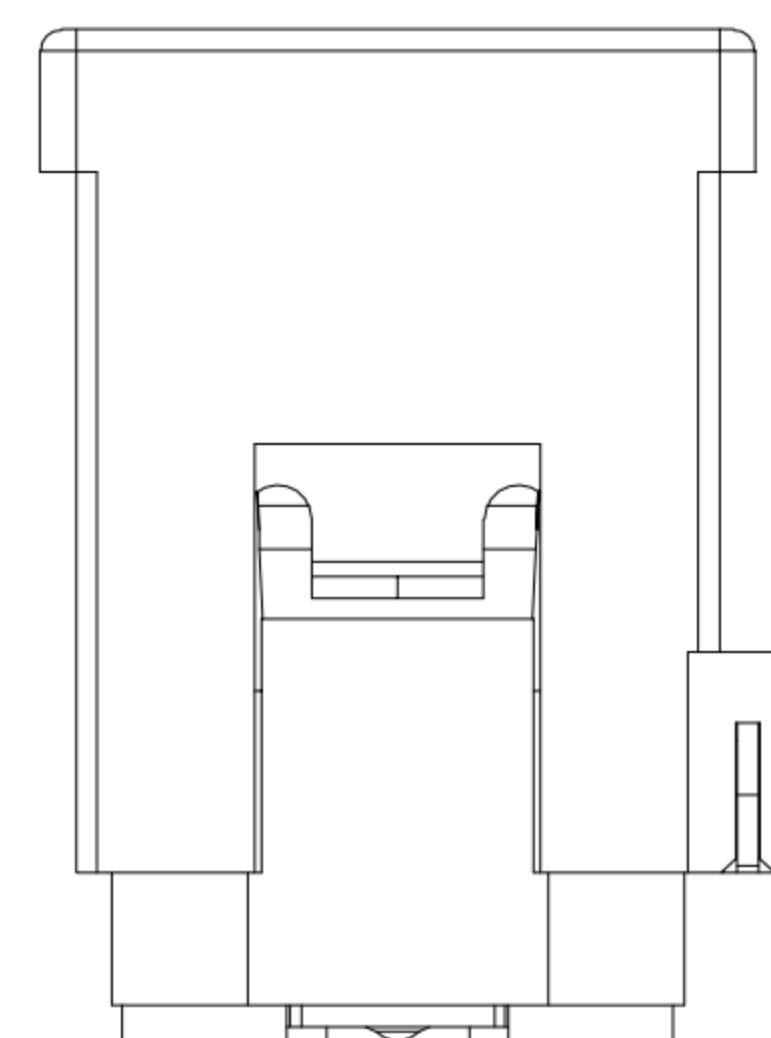
MATING PLUG Ø5.5xØ2.1mm



RECOMMENDED PCB LAYOUT  
TOLERANCE: ±0.05



CIRCUIT DIAGRAM



**G-Switch Specification:**

1. Operating temperature range: -40°C ~ +85°C
2. Rated load: 5A.60V DC
3. Insulation resistance: 100MΩ min
4. Withstand voltage: 500V AC/min
5. Contact resistance: 30mΩ max
6. Durability cycle: 5000 Cycles
7. Insertion and extraction force: 6-30N

NO.	PART NAME	MATERIAL	REMARK
A	HOUSING	HIGH TEMPERATURE PLASTIC	LCP BLACK
B	COVER	HIGH TEMPERATURE PLASTIC	LCP BLACK
C	CENTER PIN	BRASS	GOLD FLASH/Ni
D	SPRING	COPPER ALLOY	GOLD FLASH Sn/Ni
E	SHUNT	BRASS	Sn PLATING
F	PLATE	BRASS	Sn PLATING



SCALE: 1:1 UNIT: mm  
SIZE: A4

Unless otherwise  
General tolerance:  
X ±0.50  
X.x ±0.30  
X.xx ±0.20  
X.xxx ±0.10  
X.x° ±3°

Title: Horizontal DC Power Jack 5521  
DIP CH=6.5 L=14.2 Ø2.0mm

Molde Code: DC-S006A-D020-5A

DRAWN	CHECKED	APPROVED	DATE
Xia	Chen	Chen	2023.02.01



REV: A0 SHEET: 1/1