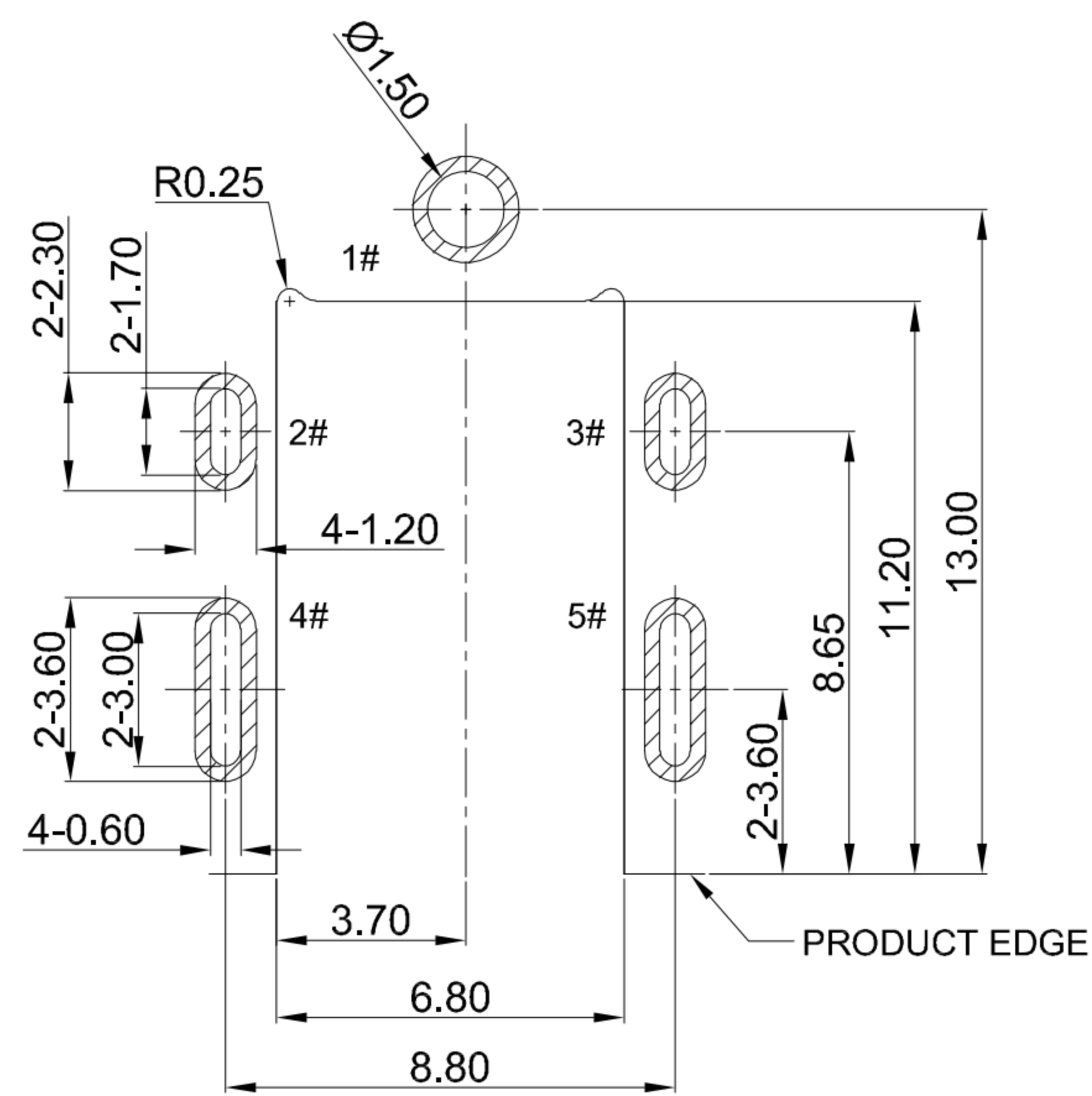
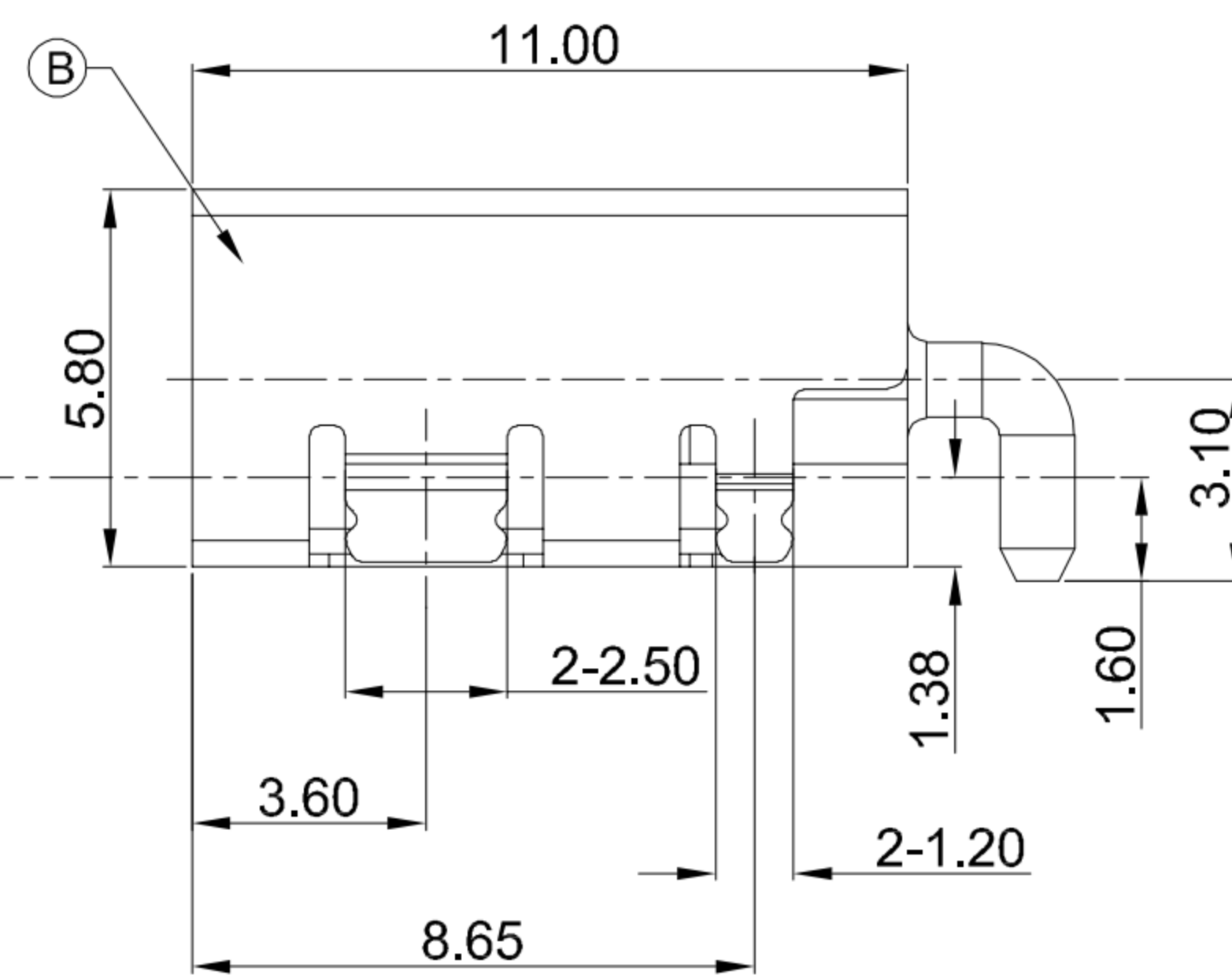
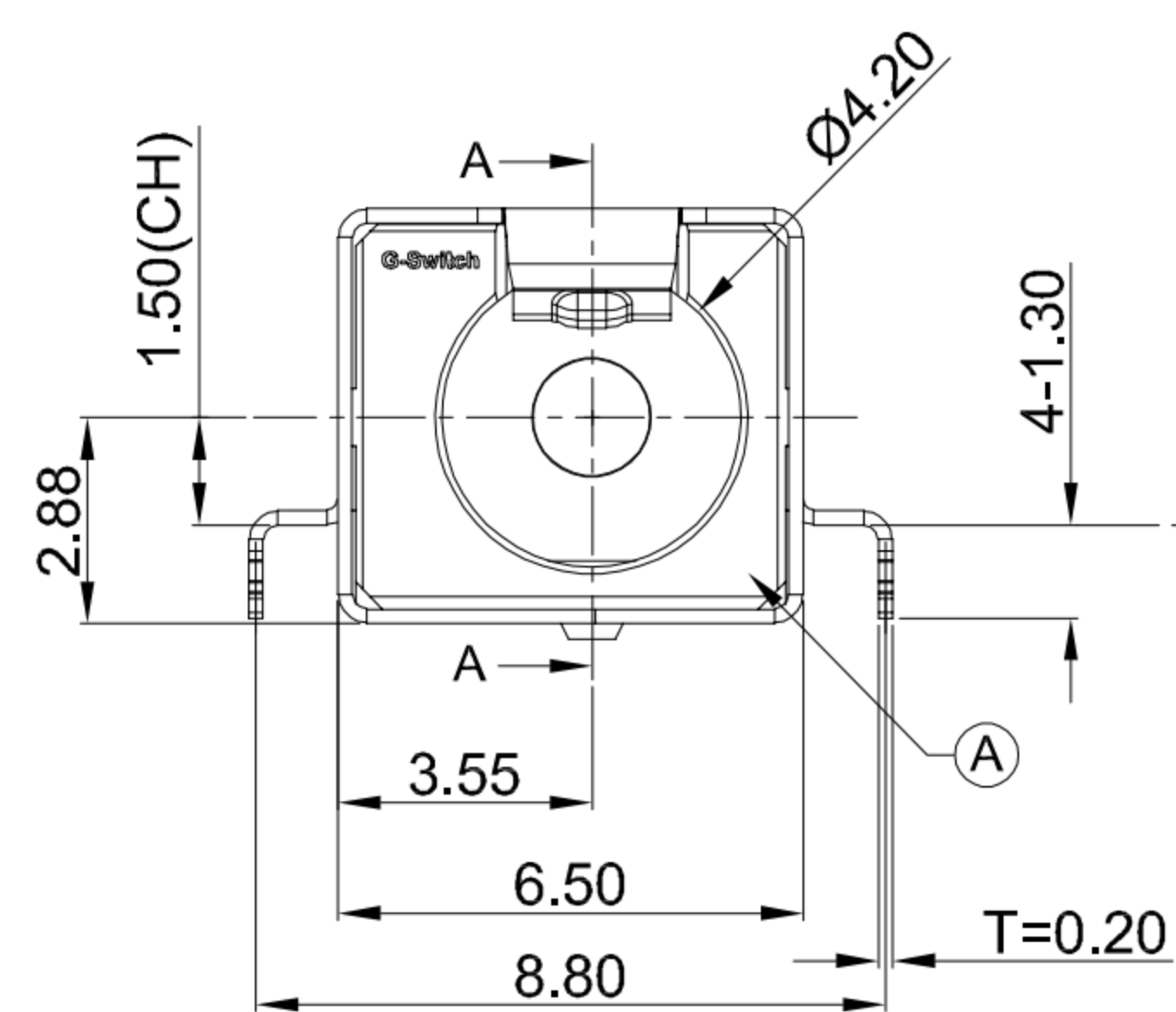
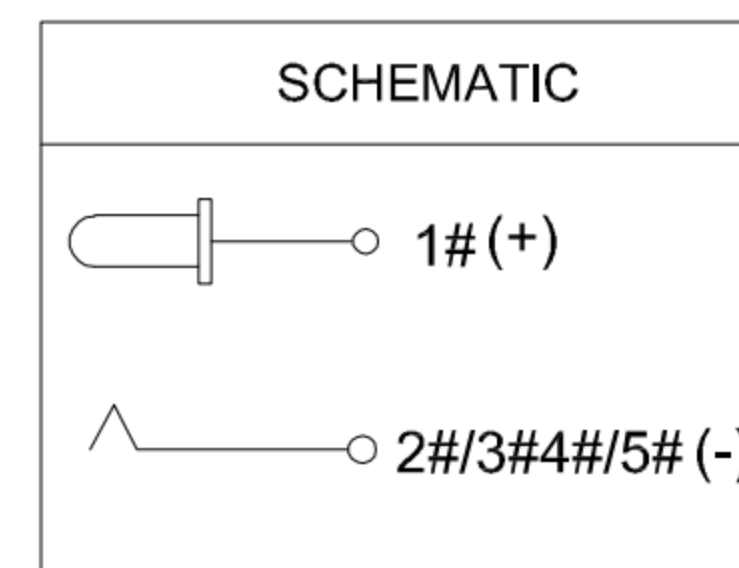
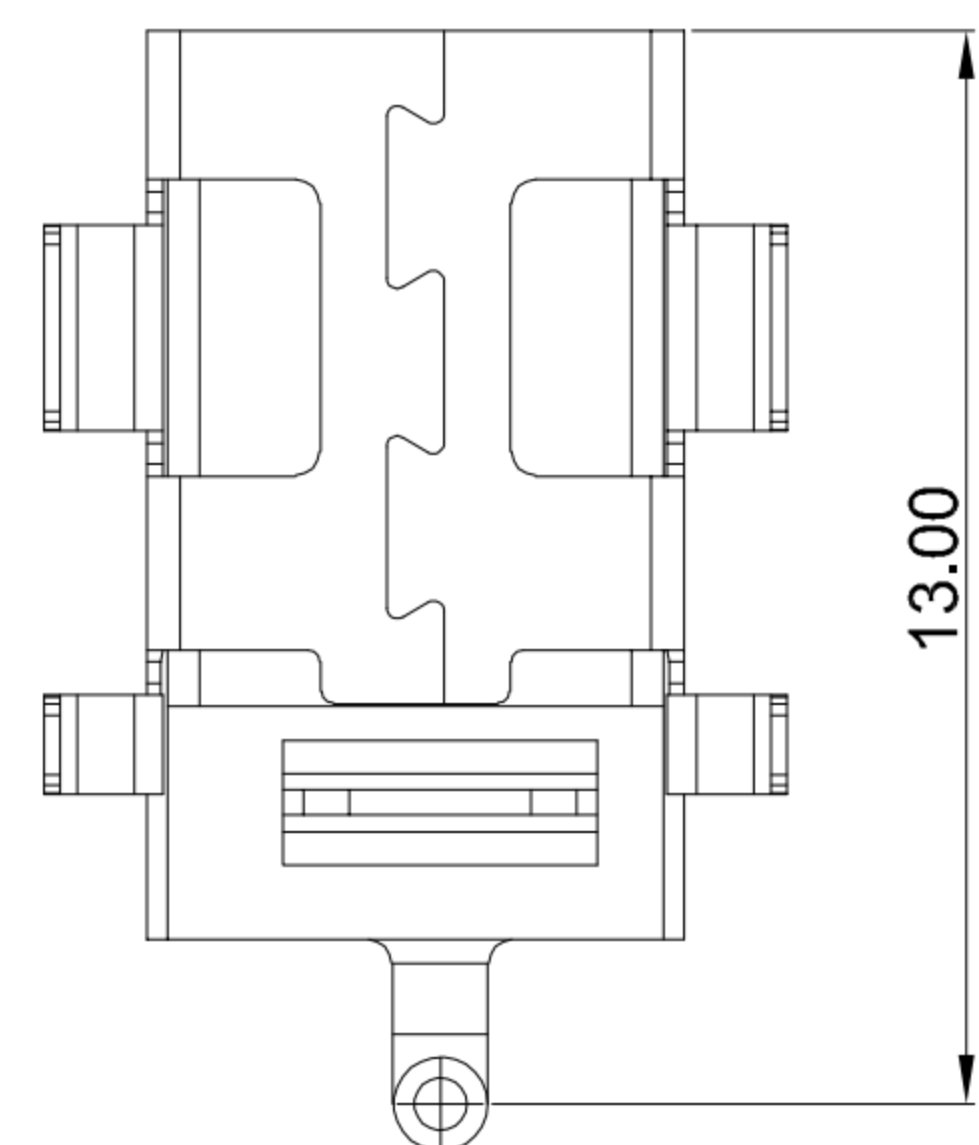


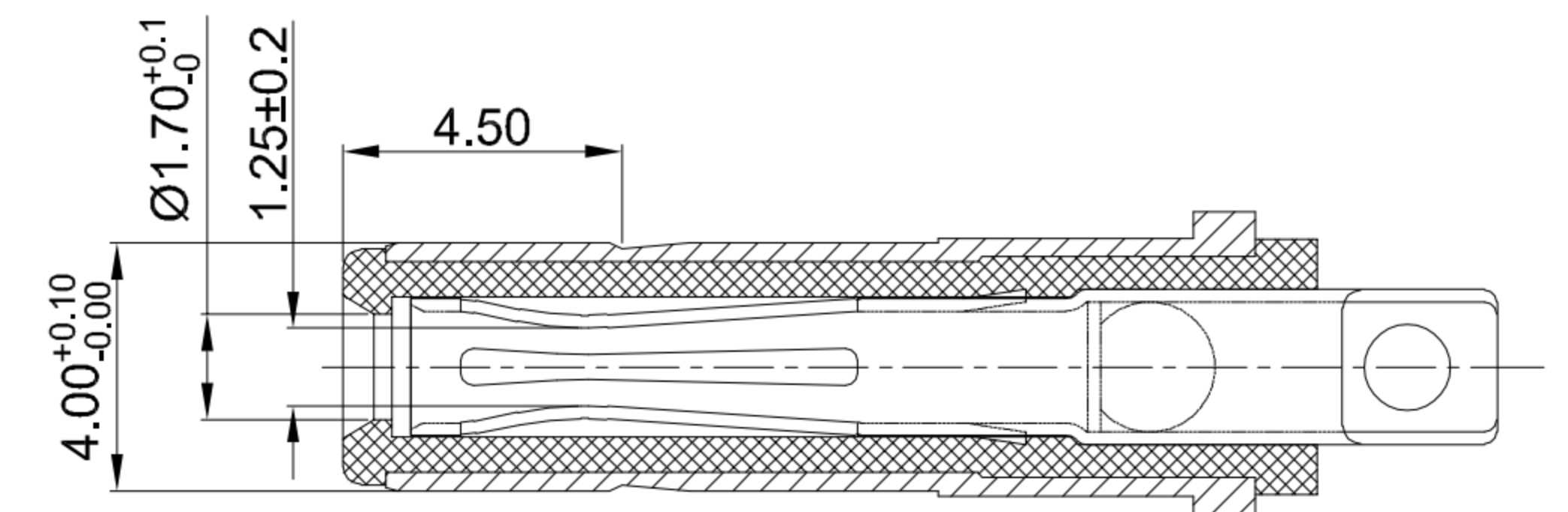
SECTION A-A



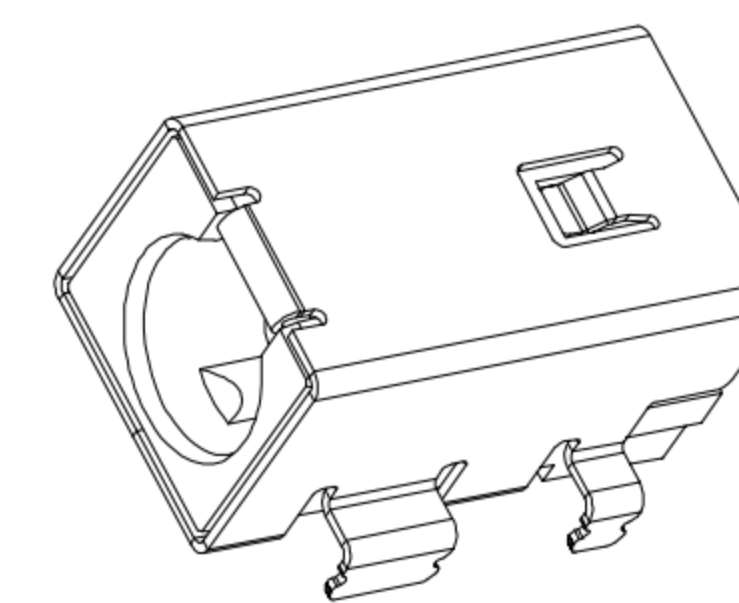
RECOMMENDED PCB LAYOUT  
TOLERANCE:±0.05



CIRCUIT DIAGRAM



MATING PLUG Ø4.0xØ1.7mm



**G-Switch Specification:**

1. Operating temperature range: -40°C ~ +85°C
2. Rated load: 8A.20V DC
3. Insulation resistance: 100MΩ min
4. Withstand voltage: 500V AC/min
5. Contact resistance: 30mΩ max
6. Durability cycle: 5000 Cycles
7. Insertion and extraction force: 3-30N

A	HOUSING	HIGH TEMPERATURE PLASTIC	BLACK
B	SHELL	COPPER ALLOY	Ni PLATING
C	CENTER PIN	BRASS	GOLD FLASH/Ni
NO.	PART NAME	MATERIAL	REMARK



SCALE: 1:1 UNIT: mm  
SIZE: A4

Title: Horizontal DC Power Jack 4017  
DIP Sink 1.38 CH=1.5 L=11.0 Ø1.65mm

Unless otherwise  
General tolerance:  
X ±0.50  
X.x ±0.30  
X.xx ±0.20  
X.xxx ±0.10  
X.x° ±3°

Molde Code: DC-S005A-D0165-8A

DRAWN	CHECKED	APPROVED	DATE
Xia	Chen	Chen	2023.02.01



REV: A0 SHEET: 1/1