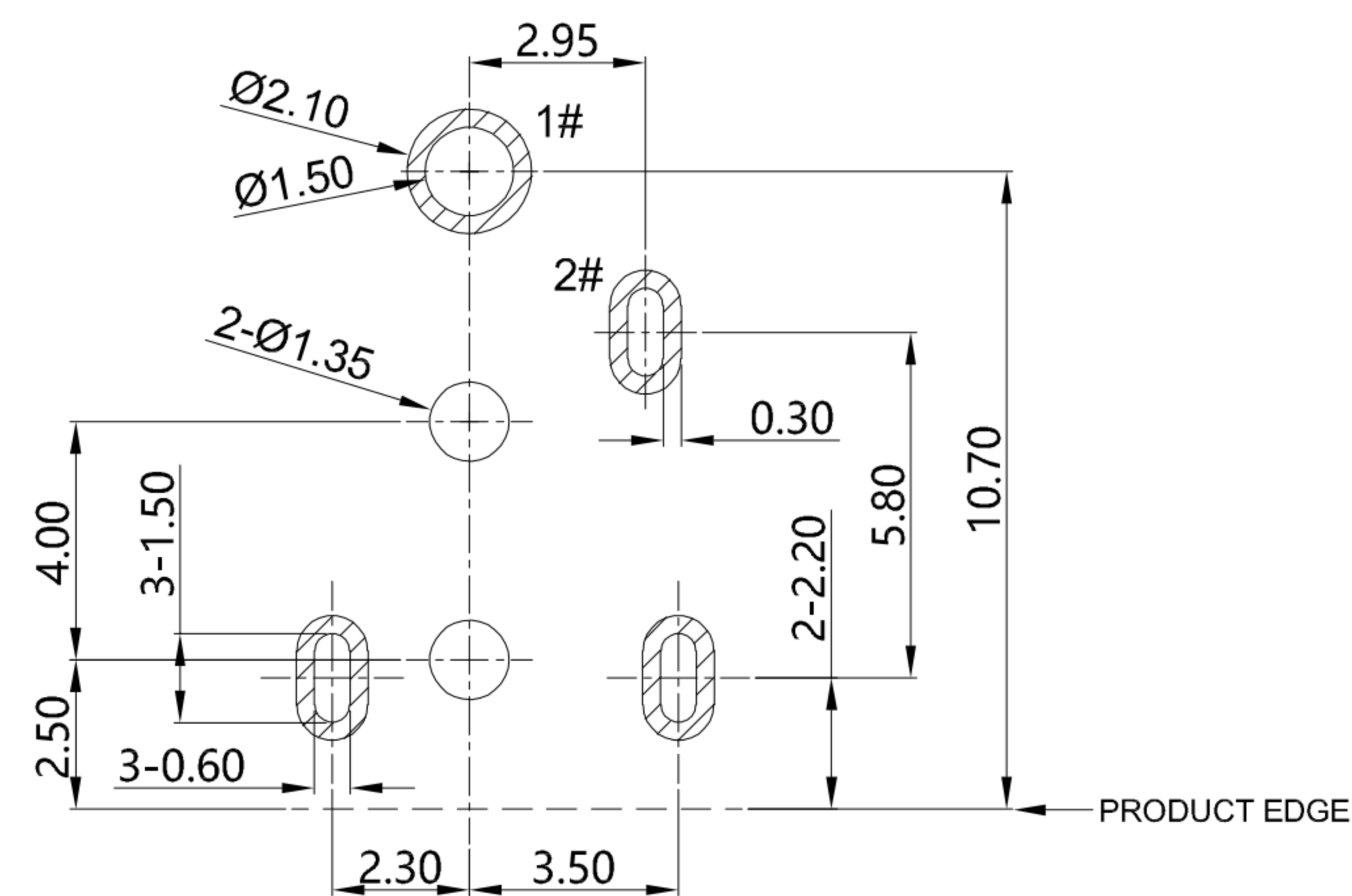
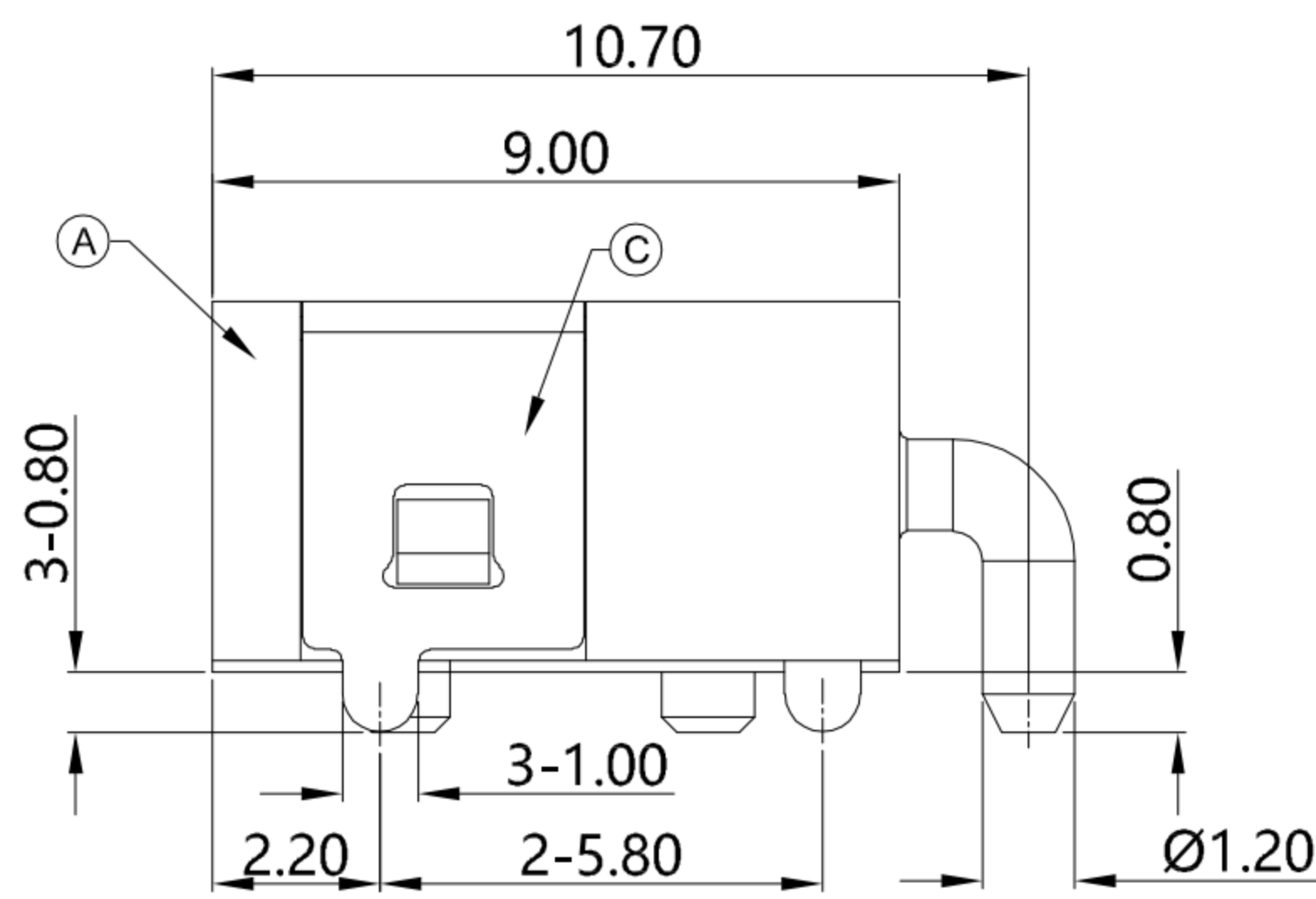
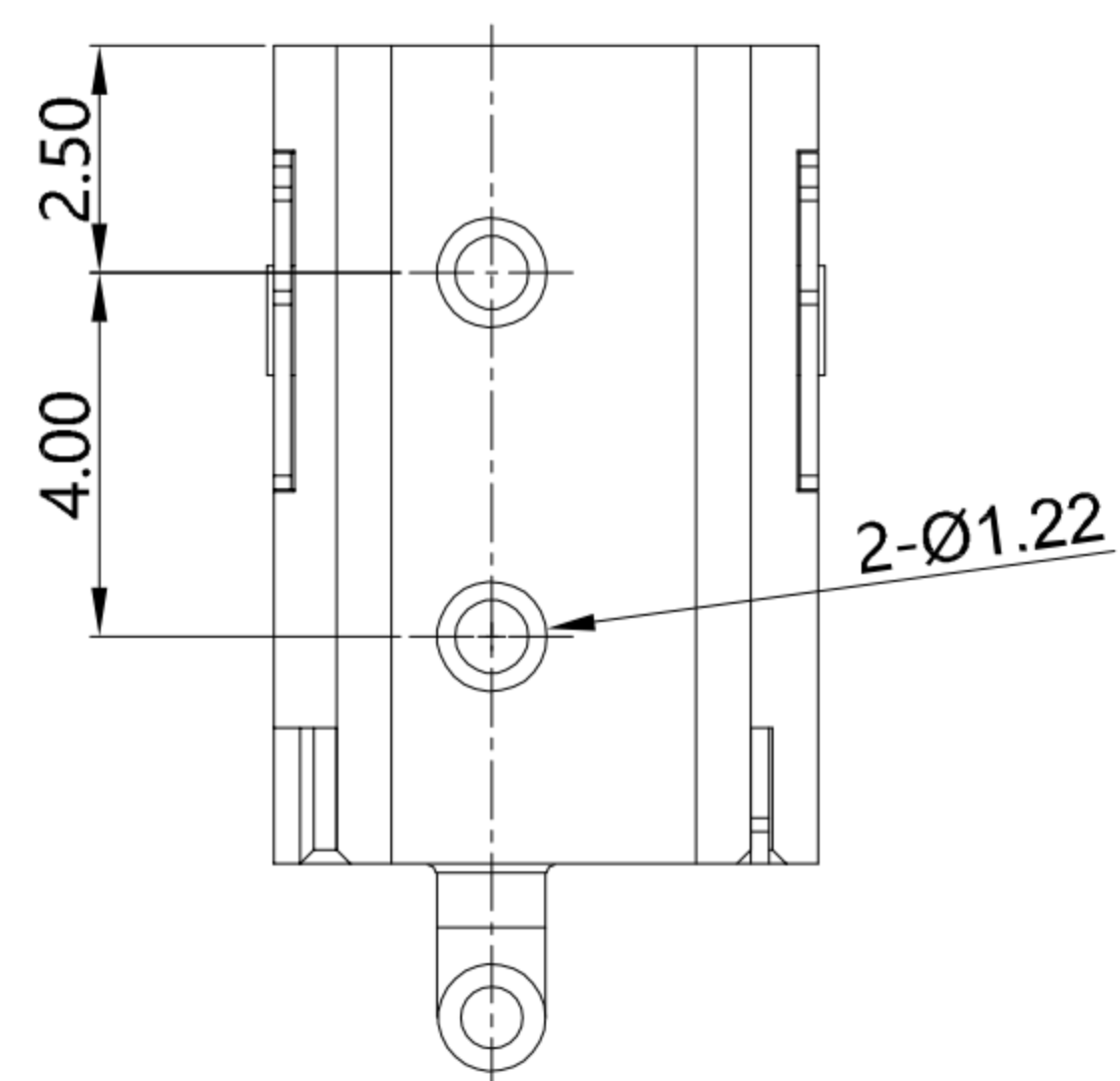
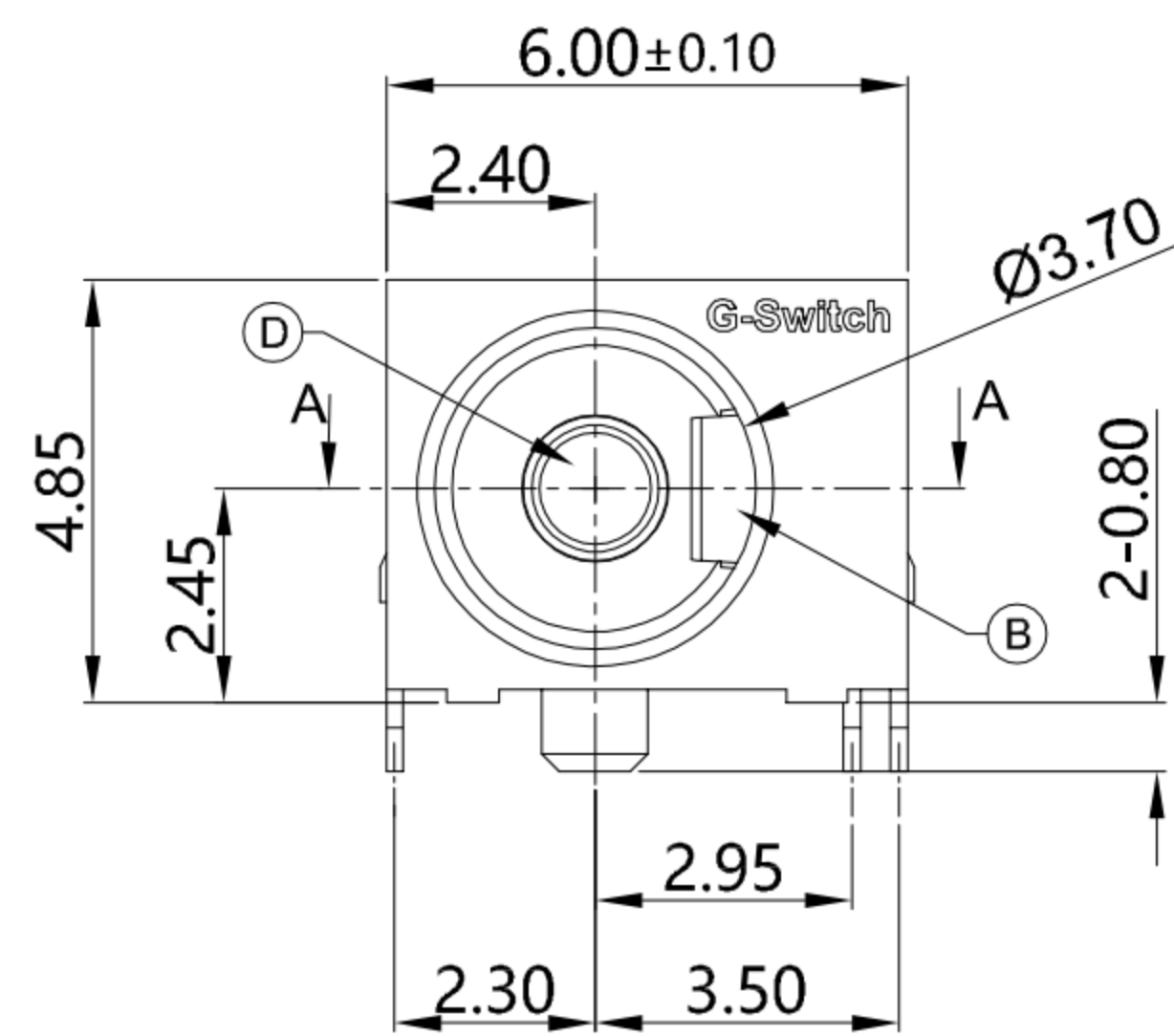
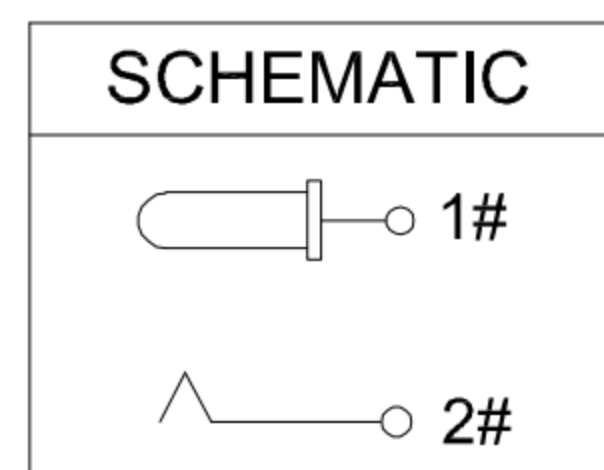


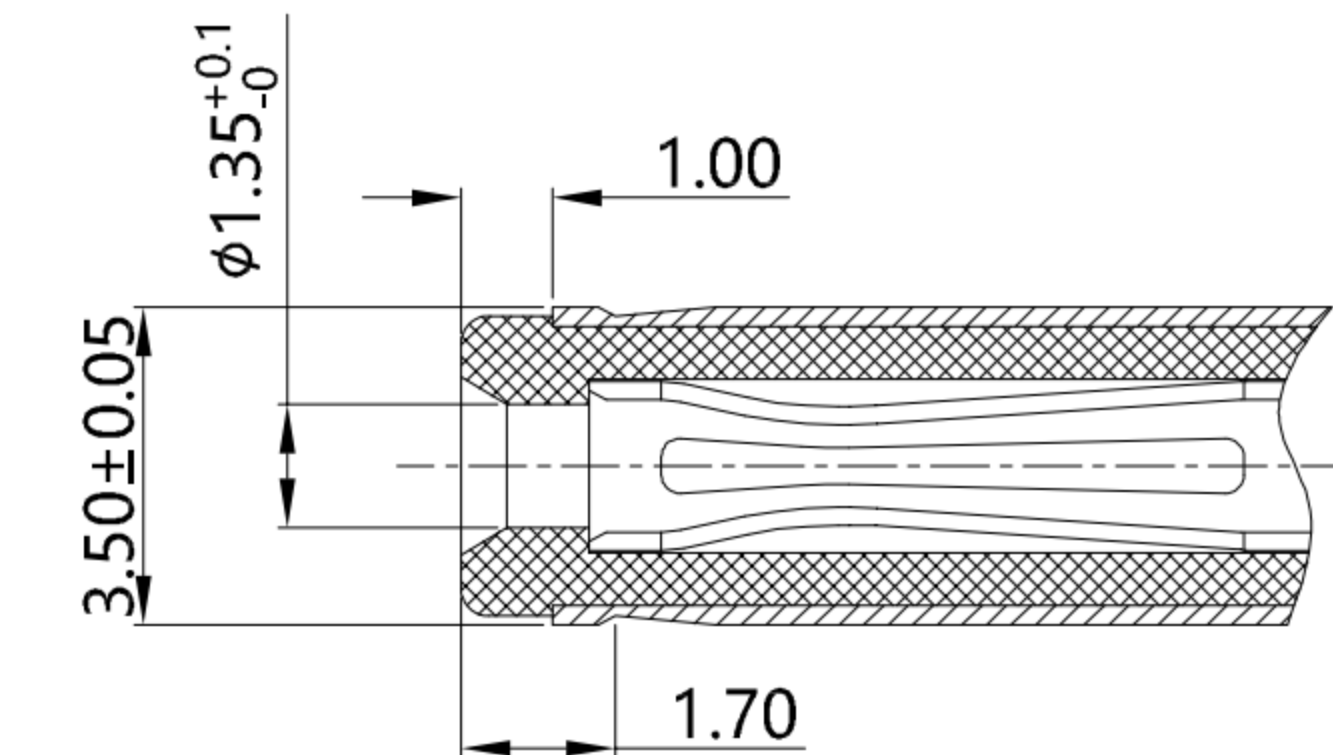
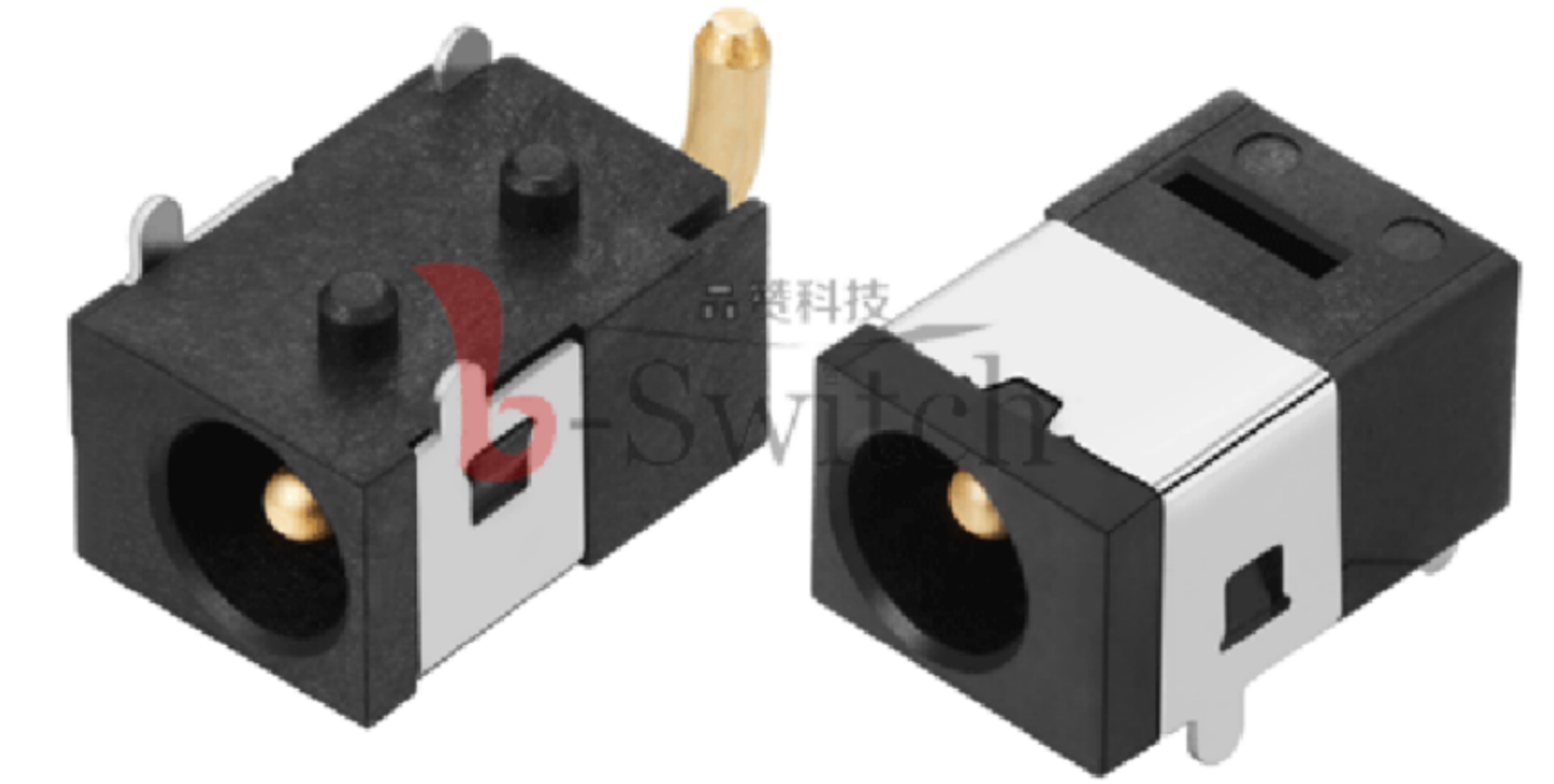
SECTION A-A



RECOMMENDED PCB LAYOUT  
TOLERANCE:±0.05



CIRCUIT DIAGRAM



MATING PLUG Ø3.5xØ1.35mm

- G-Switch Specification:**
1. Operating temperature range: -40°C ~ +85°C
  2. Rated load: 3.5A, 12V DC
  3. Insulation resistance: 100MΩ min
  4. Withstand voltage: 500V AC/min
  5. Contact resistance: 30mΩ max
  6. Durability cycle: 5000 Cycles
  7. Insertion and extraction force: 3-20N

D	PIN	1	HB 159	Gold flash/Ni
C	CURVE PIECE	1	SUS 304	Ni 40u"
B	SPRING	1	C5191	Sn 80u"/Ni 40u"
A	HOUSING	1	PA46 BLACK	
NO.	DESCRIPTION	QTY	MATERIAL	PLATING



SCALE: 1:1 UNIT: mm  
SIZE: A4

Unless otherwise  
General tolerance:  
X ±0.50  
X.x ±0.30  
X.xx ±0.20  
X.xxx ±0.10  
X° ±2°

Title: Horizontal DC Power Jack 35135  
DIP CH=2.45 L=9.0 Ø1.3mm

Molde Code: DC-S001B-D013-3.5A

DRAWN	CHECKED	APPROVED	DATE
Xia	Chen	Chen	2023.02.01



REV: A0 SHEET: 1/1