



## Description

The BDH8182 is an integrated Hall-effect latched sensor designed for electronic commutation of brushless DC motor applications. The device includes an on-chip Hall voltage generator for magnetic sensing, a comparator that amplifiers the Hall voltage, and a Schmitt to provide switching hysteresis for noise rejection and open-collector output. An internal bandgap regulator is used to provide temperature compensated supply voltage for internal circuits and allows a wide operating supply range. A north pole of sufficient strength will turn the output ON. In the absence of a magnetic field, the output is OFF. This IC is available in TO-92S-3 and SOT-23-3 package.

## Features

- On-chip Hall Sensor
- Wide Operating Voltage Range: 3.5V to 24V
- Internal Bandgap Regulator for Temperature Compensation
- Maximum Output Sink Current: 25mA
- Operating Temperature: -40°C to 125°C
- ESD Rating: 3000V (Human Body Model) 300V (Machine Model)

## Application

- Brushless DC Motor

## Functional Block Diagram

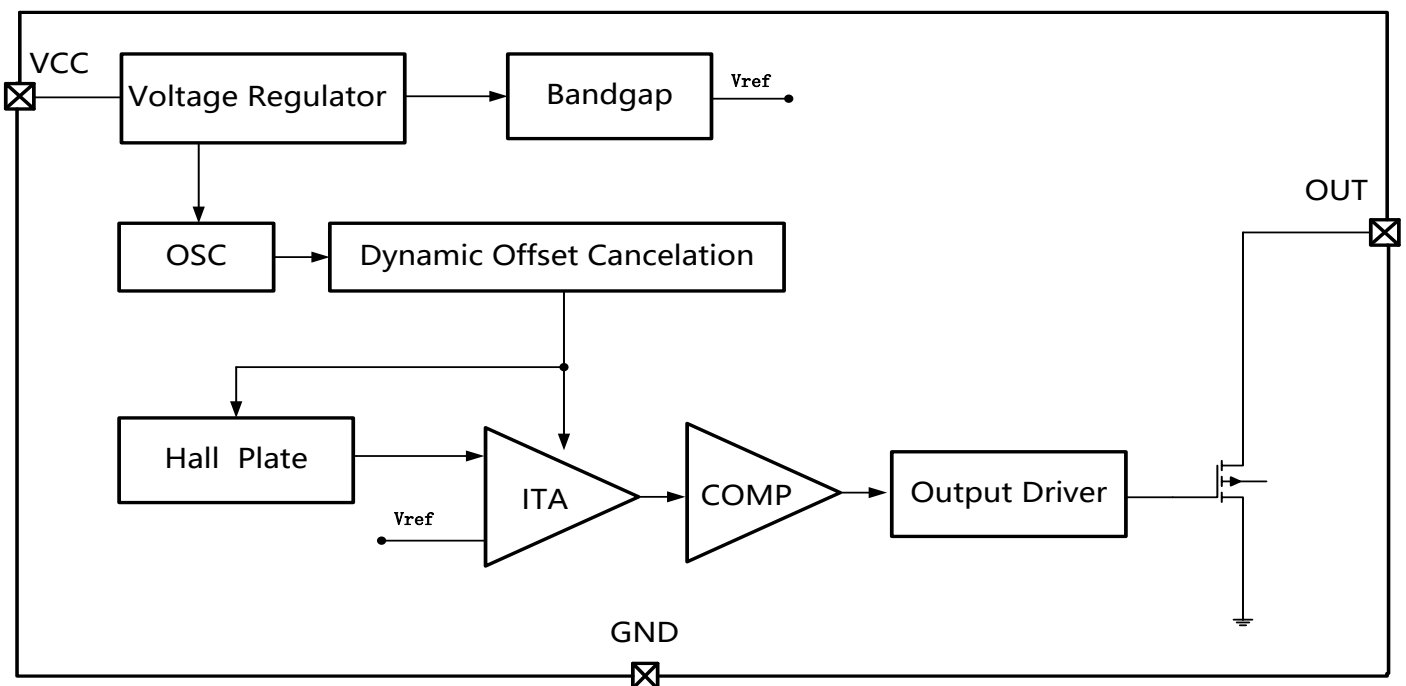


Figure 1. Functional Block Diagram of BDH8182



## Test Circuit

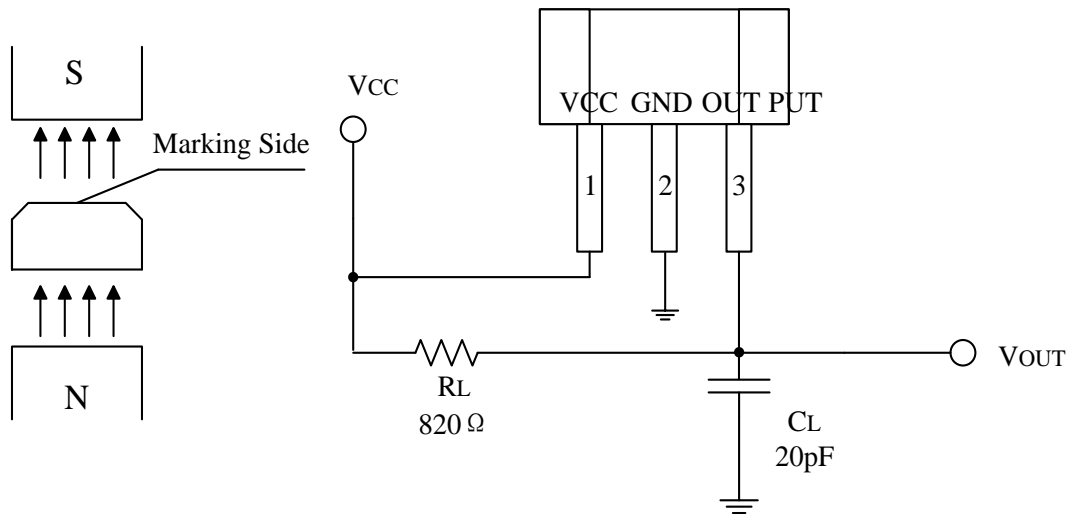
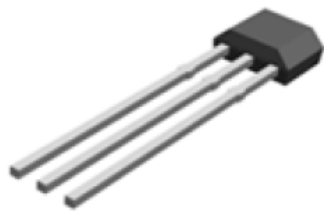
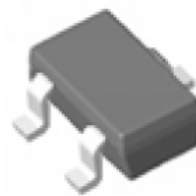


Figure 2. Basic Test Circuit of BDH8182

## Package Information



TO-92S



SOT-23-3

Figure 3. Package Type of BDH8182

Package (TO-92S)

Package (SOT-23-3)

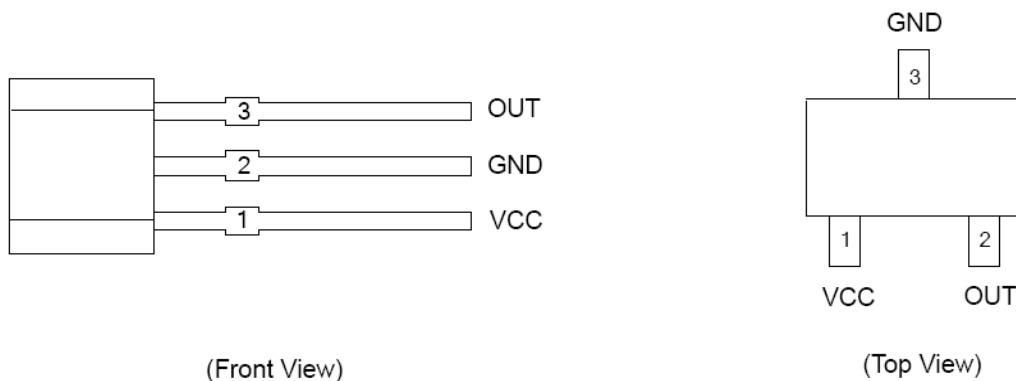


Figure 4. Pin Configuration of BDH8182



## Pin Description

Pin Number		Name	Function
TO-92S	SOT23-3L		
1	1	VCC	Supply voltage
2	3	GND	Ground pin
3	2	OUT	Output

## Absolute Maximum Ratings (Note 1)

Parameter	Symbol	Value	Unit
Supply Voltage	V <sub>CC</sub>	-30 to 30	V
Output Off Voltage	V <sub>CE</sub>	30	V
Output Sink Current (Continuous Current)	I <sub>OUT</sub>	25	mA
Power Dissipation	PD	400	mW
Storage Temperature	T <sub>S</sub>	-55 to 150	°C
Junction Temperature	T <sub>J</sub>	125	°C
ESD (Machine Model)	ESD	300	V
ESD (Human Body Model)	ESD	3000	V

Note 1: Stresses greater than those listed under “Absolute Maximum Ratings” may cause permanent damage to the device. These are stress ratings only, and functional operation of the device at these or any other conditions beyond those indicated under “Recommended Operating Conditions” is not implied. Exposure to “Absolute Maximum Ratings” for extended periods may affect device reliability.

## Recommended Operating Conditions (TA=25°C)

Parameter	Symbol	Min	Max	Unit
Supply Voltage	V <sub>CC</sub>	3.5	24	V
Operating Temperature	T <sub>OP</sub>	-40	125	°C



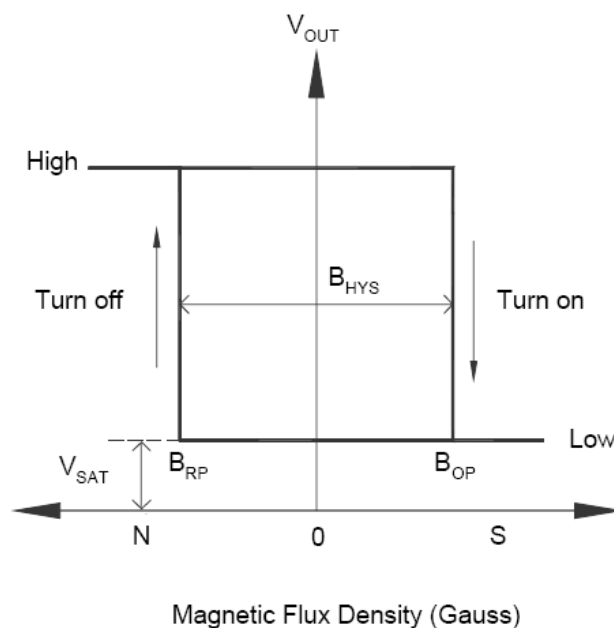
## Electrical Characteristics

VCC =12V, TA =25°C, unless otherwise specified.

Parameter	Symbol	Conditions	Min	Type	Max	Unit
Supply Voltage	V <sub>CC</sub>	Operating	3.5		24	V
Supply Current	I <sub>CC</sub>	Awake		2.5	5	mA
Output Leakage Current	I <sub>LEAK</sub>	B <  BRP		<0.1	10	μA
Output Saturation Voltage	V <sub>SAT</sub>	I <sub>OUT</sub> =1.0mA		110	300	mV
Rise Time	t <sub>r</sub>	Operating		0.2		μs
Fall Time	T <sub>f</sub>	Operating		0.2		μs

## Magnetic Characteristics (TA=25°C)

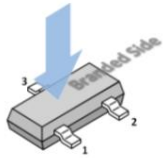
Parameter	Symbol	Min	Type	Max	Unit
Operating point	B <sub>OP</sub>	-	35	70	Gauss
Releasing Point	B <sub>RP</sub>	-70	-35	-	Gauss
Hysteresis	B <sub>HYS</sub>		70		Gauss





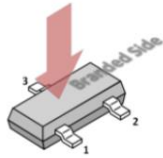
## Definition of Switching Function

South Pole



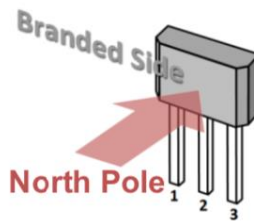
OUT=High

North Pole

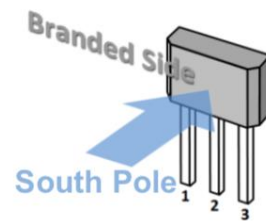


OUT=V<sub>DSON</sub>

Switching Point of SOT-23-3



OUT=High



OUT=V<sub>DSON</sub>

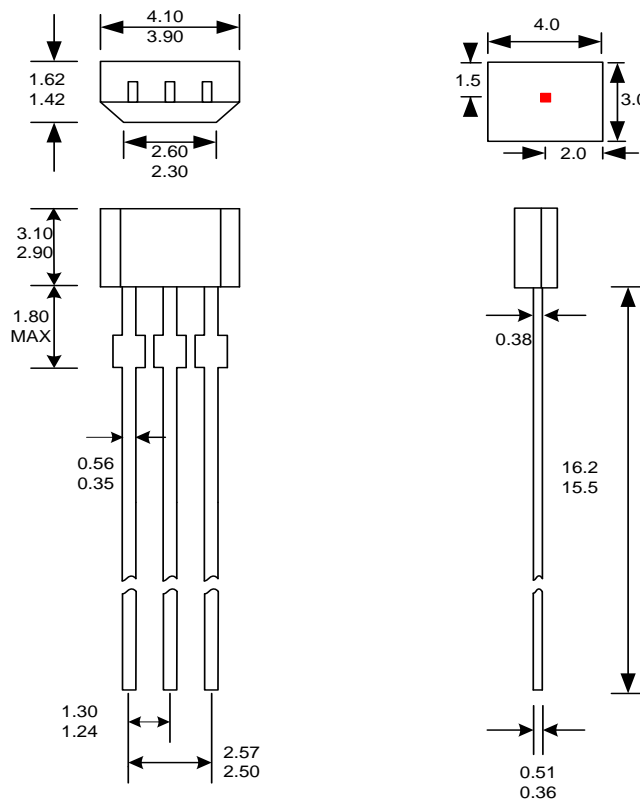
Switching Point of TO-92S

## Package Dimensions

### 1.TO-92S

3-Terminal  
UA Package

Dimension:mm



Notes:

1. Exact body and lead configuration at vendor's option within limits shown.
2. Height does not include mold gate flash.

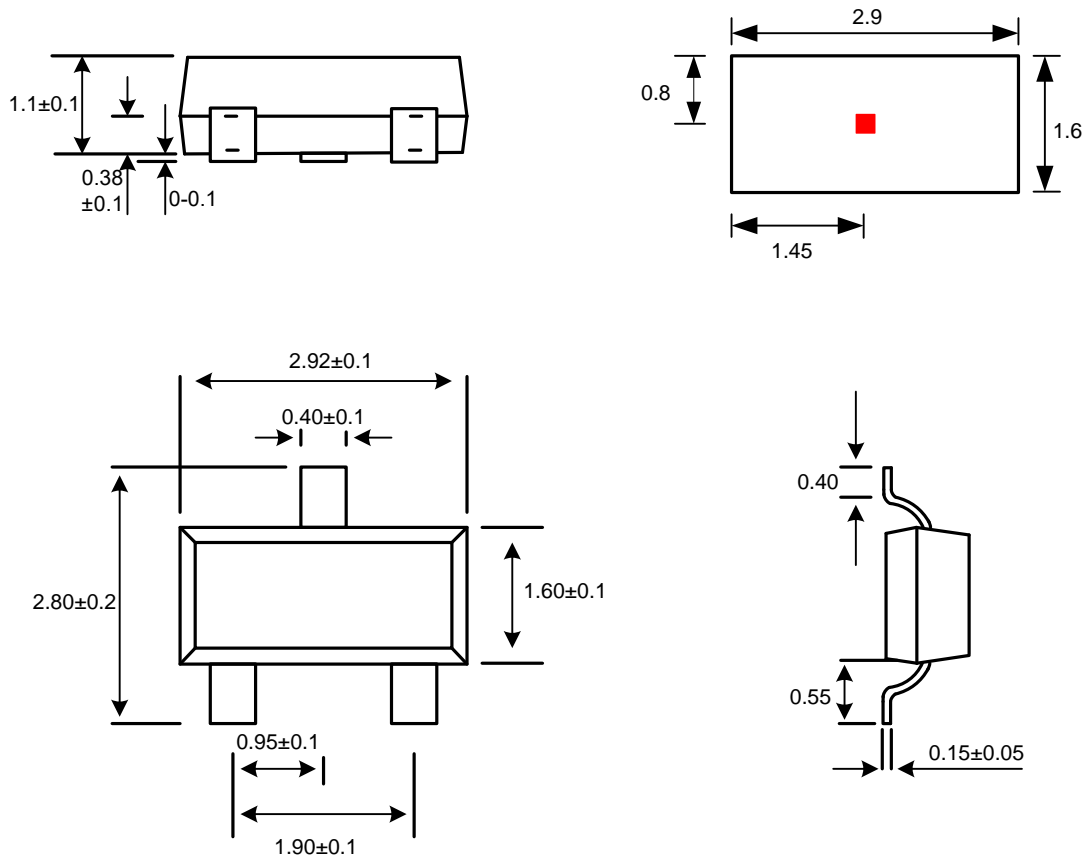
Where no tolerance is specified, dimension is nominal.



2、SOT-23-3

3-Terminal  
SO Package

Dimension:mm



Notes:

1. Exact body and lead configuration at vendor's option within limits shown.
2. Height does not include mold gate flash.

Where no tolerance is specified, dimension is nominal.



## IMPORTANT NOTICE

Shenzhen Bardeen Microelectronics(BDM) CO.,LTD reserves the right to make corrections, modifications, enhancements, improvements, and other changes to its products and to discontinue any product without notice at any time.

BDM cannot assume responsibility for use of any circuitry other than circuitry entirely embodied in a BDM product. No circuit patent licenses are implied.

Shenzhen Bardeen Microelectronics(BDM) CO.,LTD.

1011,block B, building 6, International innovation Valley, Dashi 1 st Road, Xili Street, Nanshan District ,ShenZhen

Tel: 86-755-23505821

<http://www.bdasic.com>