

雅晶鑫電子

Shenzhen Yajingxin Electron Co.,Ltd

Customer	
Production Name	SMD OSC SEAM 5.0*3.2
Customer P/N	N/A
P/N	F50328MUBCE20
Revision	A
Print Date	2023-04-20

Drawn	Checked	Approved
		



RoHS Compliant

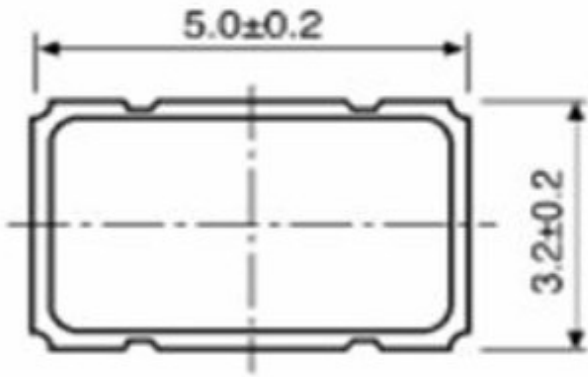
联络方式： 邮址： lihong@taesz.cn 移动： 138-0255-9153 联络人： 李先生

1.Model No	5032 OSC
2.Nominal Frequency	8.000MHz
3.Mode of Oscillation	Fundamental
4.Operating Temperature Range	-40°C to 85 °C
5.Storage Temperature Range	-55°C to +125°C
6.Frequency Stability	±10ppm
7.Power Supply Voltage	1.8V ~ 3.3V
8.Input Current	5mA Max. :
9.Output Voltage	Logic High(Voh) 90%Vdd Min
	Logic Low(Vol) 10%Vdd Max
10.Output Load	15pF max CMOS Load
11.Semmetry (at 50%VDD)	40-60%Normal
12.Rise & Fall Time	8ns Max.
13.E/D or N/C.	Tri-state
14.Output Disable Time	100nsec
15.Output Enable Time(start-up time)	10msec max
16.Aging	±3ppm/year
17.Unit Weight	

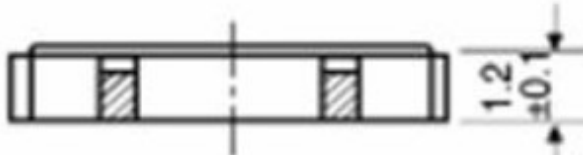
■ Dimensions

*****2*****

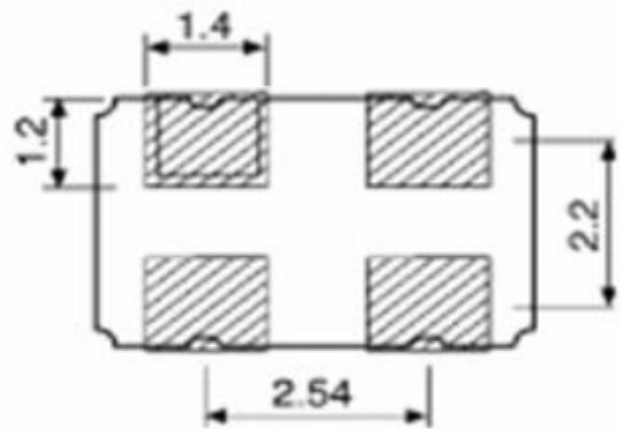
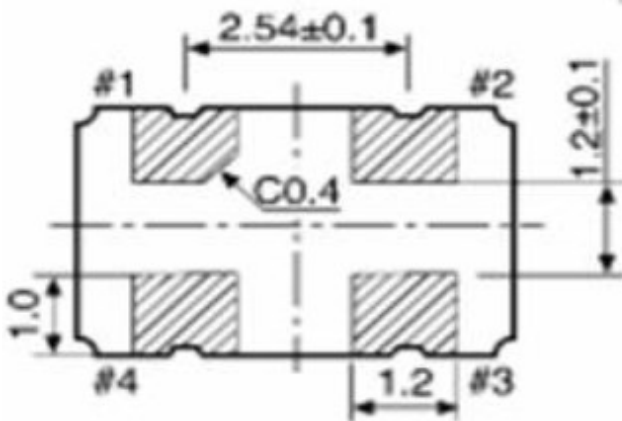
CXO-5032



Terminal	Connection
#1	N.C. (INH)
#2	GND
#3	OUTPUT
#4	+Vdd



LAND PATTERN (REFERENCE)



■ Marking

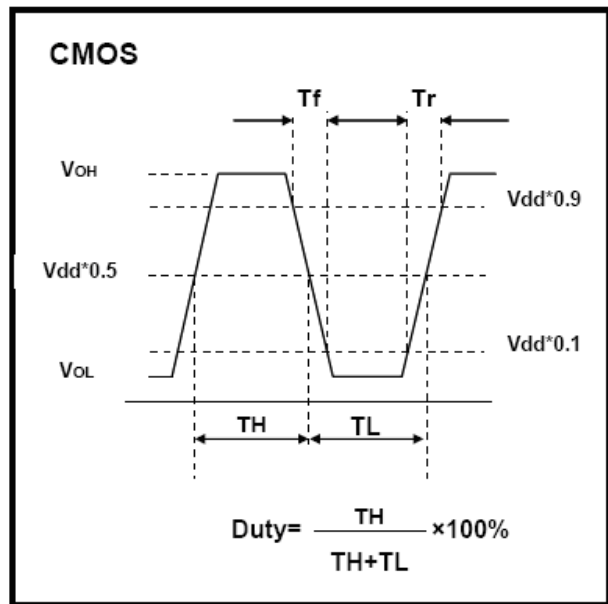
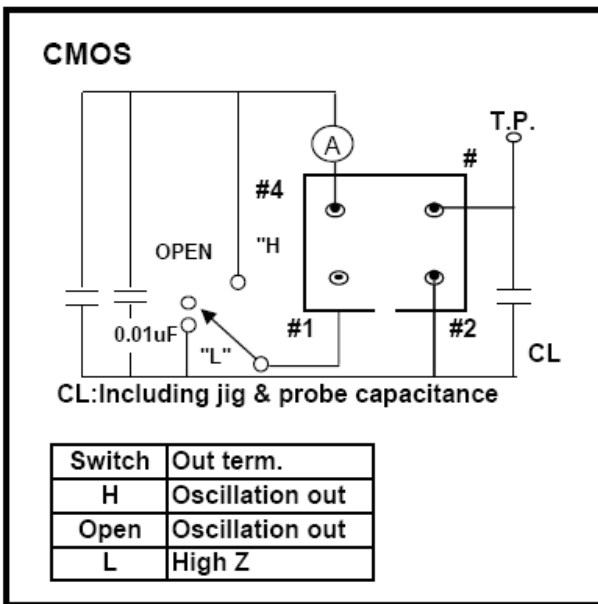
Line 1: 客户指定印字→

Line 2: ● → Pin#1 indication

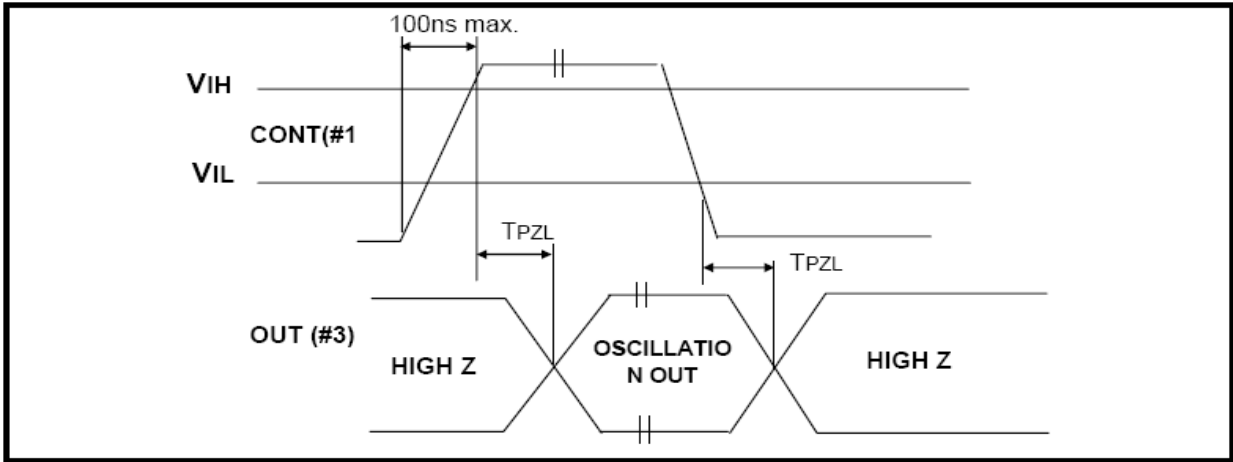


■ Measurement Circuit

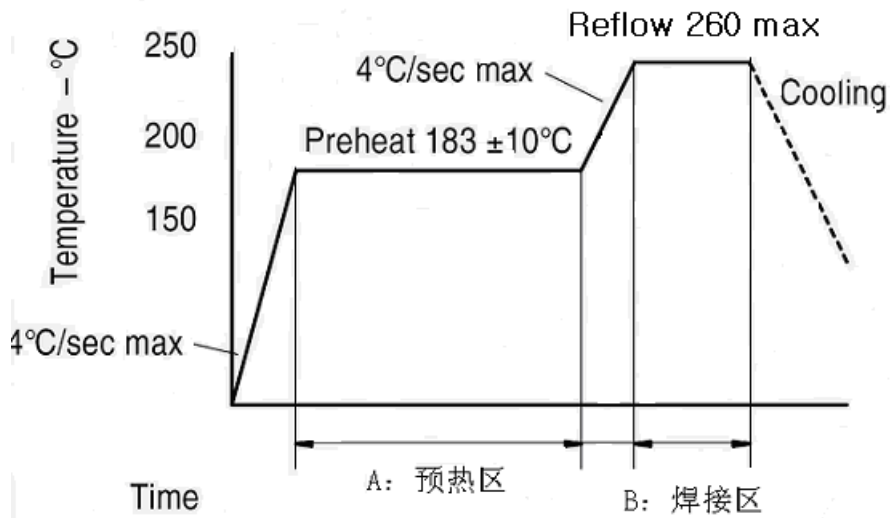
Output Wave Form



■ Input Output Condition



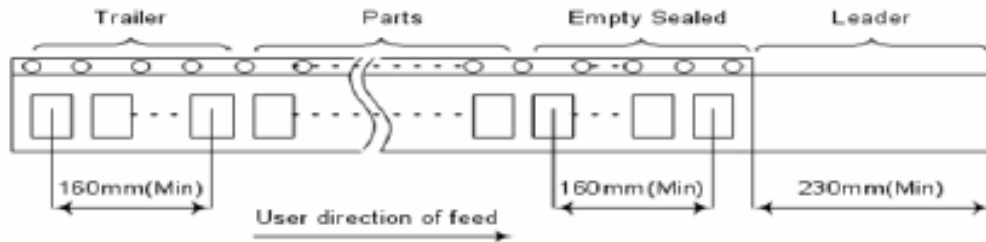
■ Reflow Profile



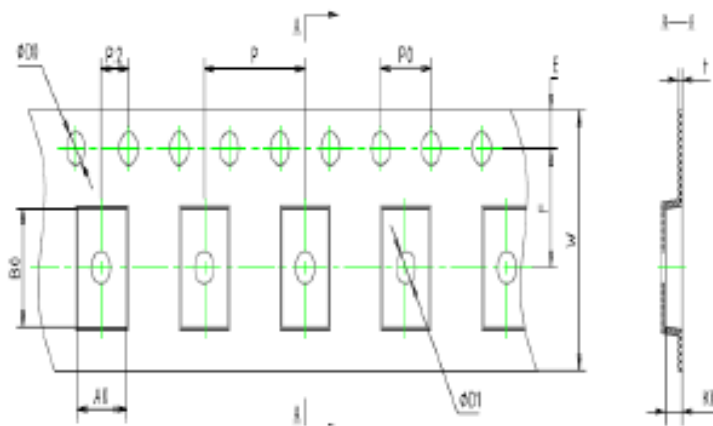
■ Reliability Specifications

No	Test Item	Test Methods
1	DROP TEST	Device are dropped from a height of 75 cm onto 3 mm thickness stainless plate executing 3 times of random drops.
2	MECHANICAL SHOCK	Device are shocked to half sine wave (1000 G) three mutually perpendicular axes each 3 times.
3	High Temp and Humidity Test	85°C/RH 85%, 500Hrs
4	High temp storage test	125°C+/-2°C 500Hrs
5	Low temp storage test	-40°C 500Hrs
6	Thermal shock test	-40°C~+85°C DWEL 60' 100cycles
7	Aging test	85°C 500Hrs
8	Resistance to solder heat	260°C 10S
9	VIBRATION	Frequency range 10-2000 Hz Amplitude Sweep 1.5 mm Sweep Time 20 minute Test Time 2 hours
10	SOLDERABILITY	MIL - STD - 20E Method 208C Temperature 245°C±5°C Material H63A (Silver 2-3 %) Immersion depth 0.5 mm minimum Immersion time 3 ± 0.5 seconds Flux Rosin resin methyl

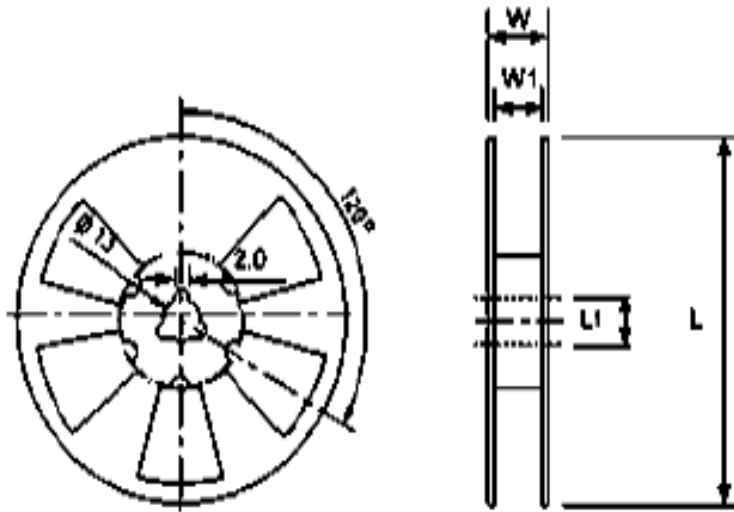
■ Packing



外观	尺寸 (mm)
E	1.75±0.10
E2	10.25MIN
F	5.50±0.10
P2	2.00±0.10
φD0	1.50 ^{+0.10} _{-0.00}
φD1	1.50MIN
P0	4.00±0.10
10P0	40.00±0.2
W	12.00±0.30
P	8.00±0.10
A0	3.70±0.10
B0	5.50±0.10
K0	1.30±0.10
t	0.30±0.05



*****~*****



DEMENSIONS [°]	L [°]	L1 [°]	W [°]	W1 [°]	Pcs/Reel (UNIT: mm) [°]
	178 [°]	13 [°]	12.0+/-0.3 [°]	11.5 [°]	Standard Reel Quantity is 1,000 pcs per reel [°]

NOTE: 1. packgeing q'ty 1000PCS /REEL

*****8*****