

雅晶鑫電子

Shenzhen Yajingxin Electron Co.,Ltd

<b>Customer</b>	
<b>Production Name</b>	<b>SMD OSC CMOS</b> <b>SEAM 3.2*2.5</b>
<b>Customer P/N</b>	N/A
<b>P/N</b>	F32258MUBCE20
<b>Revision</b>	A
<b>Print Date</b>	2023-04-20

<b>Drawn</b>	<b>Checked</b>	<b>Approved</b>
		



RoHS Compliant

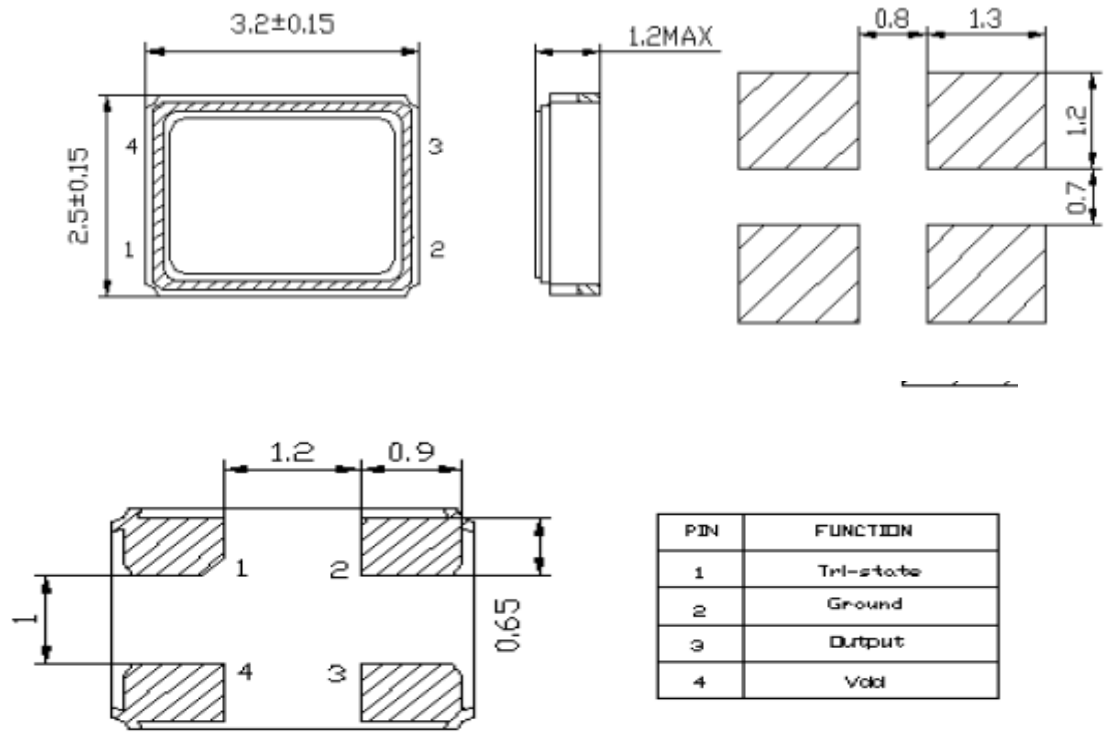
## ■ Electrical Specifications

1. Model No	3225 OSC	
2. Nominal Frequency	8.000MHz	
3. Mode of Oscillation	Fundamental	
4. Operating Temperature Range	-40°C to 85 °C	
5. Storage Temperature Range	-55°C to +125°C	
6. Frequency Stability	±10ppm	
7. Power Supply Voltage	1.8V-3.3V	
8. Input Current	5mA Max. : 8.000MHz	
9. Output Voltage	Logic High(Voh)	90%Vdd Min
	Logic Low(Vol)	10%Vdd Max
10. Output Load	15pF max CMOS Load	
11. Symmetry (at 50%VDD)	40-60%Normal	
12. Rise & Fall Time	8ns Max.	
13. E/D or N/C.	Tri-state	
14. Output Disable Time	100nsec	
15. Output Enable Time(start-up time)	10msec max	
16. Aging	±3ppm/year	
17. Unit Weight		

## ■ Dimensions

\*\*\*\*\*2\*\*\*\*\*

# 雅晶鑫電子

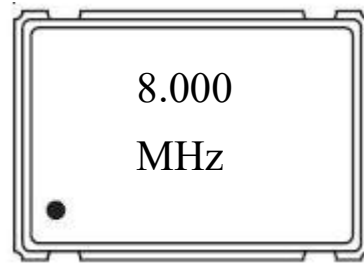


# 雅晶鑫電子

## ■ Marking

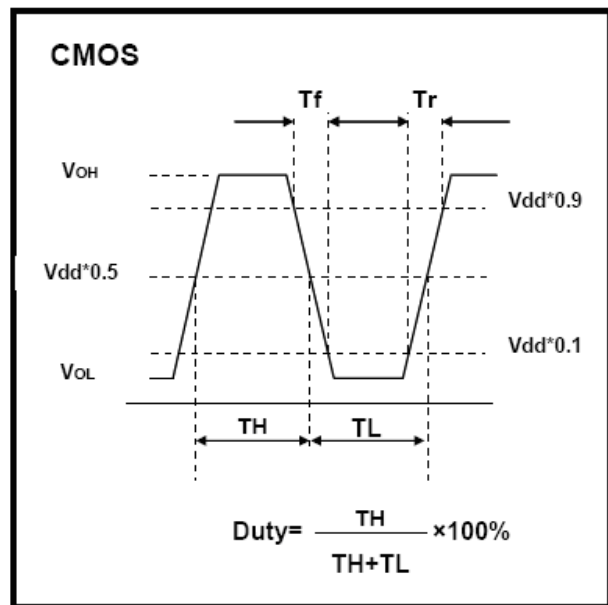
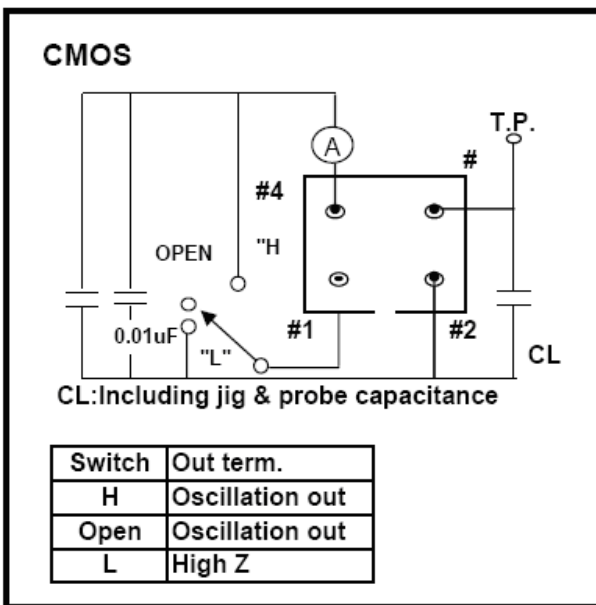
Line 1: 客户指定印字→

Line 2: ● → Pin#1 indication



## ■ Measurement Circuit

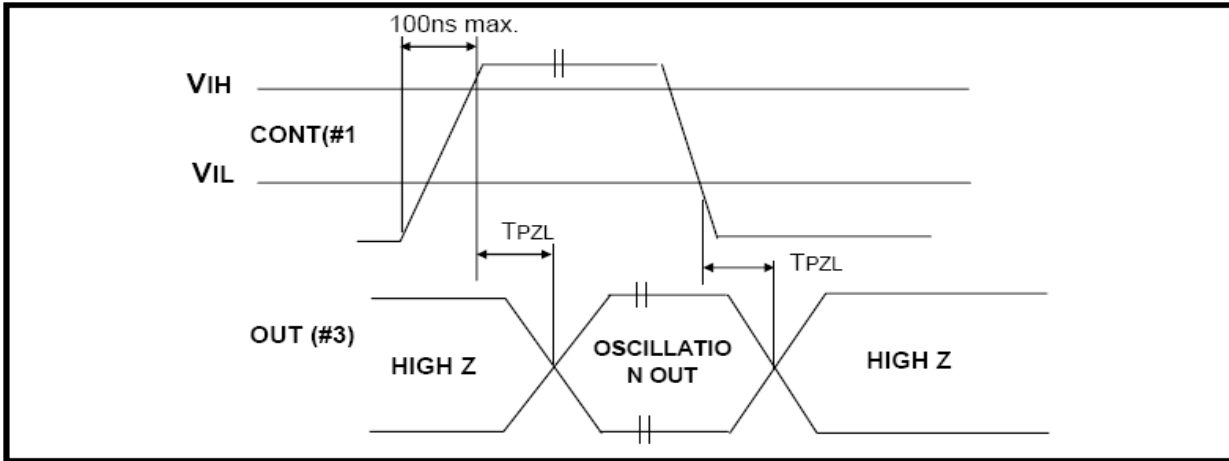
## Output Wave Form



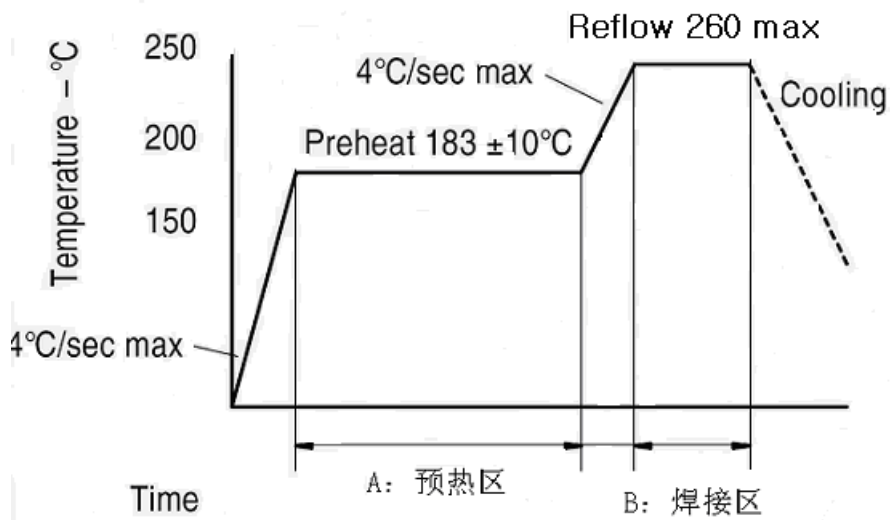
## ■ Input Output Condition

\*\*\*\*\*4\*\*\*\*\*

# 雅晶鑫電子



## ■ Reflow Profile



## ■ Reliability Specifications

No	Test Item	Test Methods
1	DROP TEST	Device are dropped from a height of 75 cm onto 3 mm

\*\*\*\*\*5\*\*\*\*\*

# 雅晶鑫電子

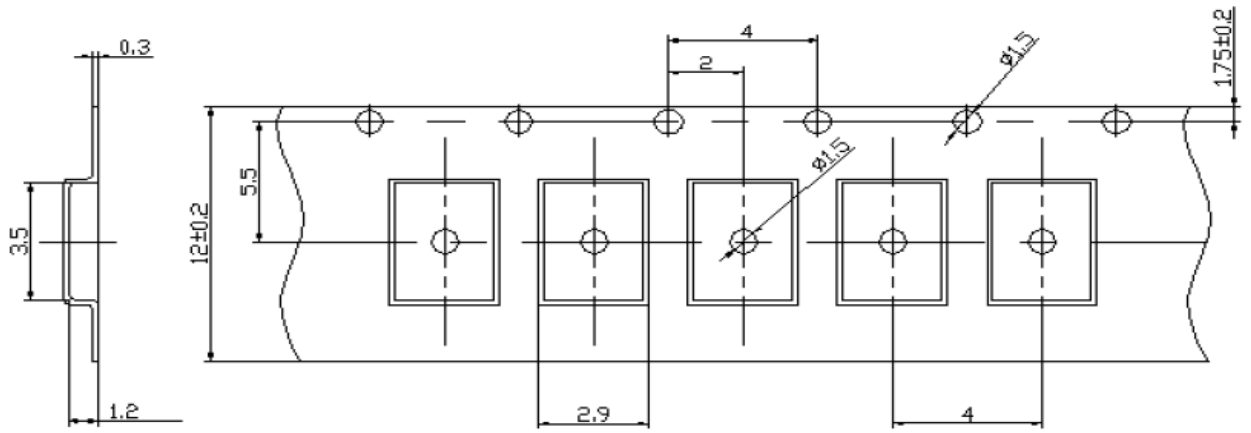
		thickness stainless plate executing 3 times of random drops.
2	MECHANICAL SHOCK	Device are shocked to half sine wave (1000 G) three mutually perpendicular axes each 3 times.
3	High Temp and Humidity Test	85°C/RH 85%, 500Hrs
4	High temp storage test	125°C+/-2°C 500Hrs
5	Low temp storage test	-40°C 500Hrs
6	Thermal shock test	-40°C~+85°C DWEL 60' 100cycles
7	Aging test	85°C 500Hrs
8	Resistance to solder heat	260°C 10S
9	VIBRATION	Frequency range 10-2000 Hz Amplitude Sweep 1.5 mm Sweep Time 20 minute Test Time 2 hours
10	SOLDERABILITY	MIL - STD - 20E Method 208C Temperature 245°C±5°C Material H63A (Silver 2-3 %) Immersion depth 0.5 mm minimum Immersion time 3 ± 0.5 seconds Flux Rosin resin methyl

## ■ Packing

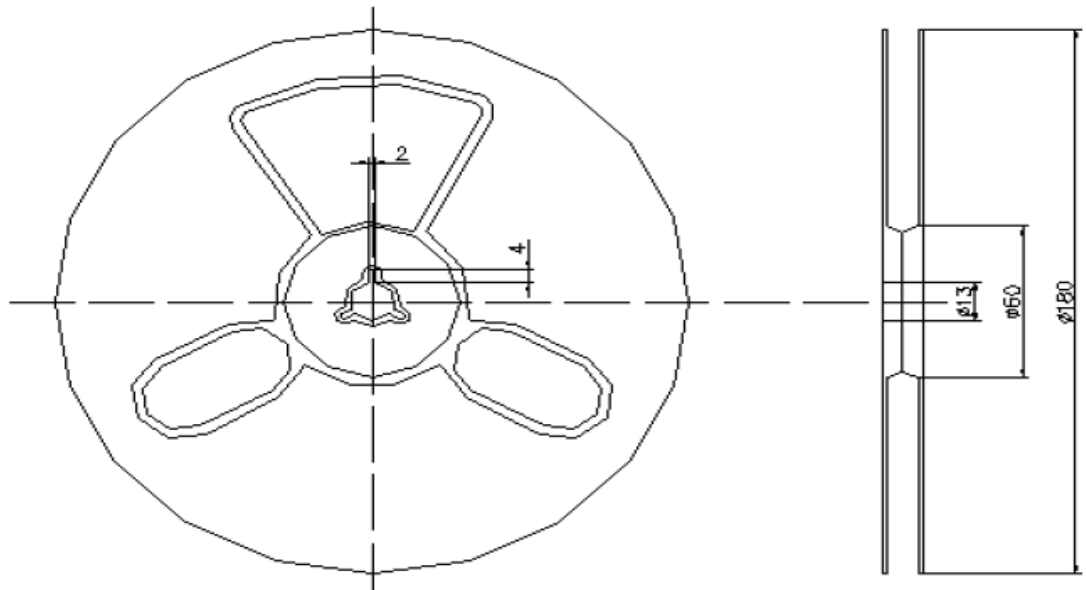
\*\*\*\*\*6\*\*\*\*\*

# 雅晶鑫電子

## ■ 编带 (TAPE)



## ■ 轮 (REEL)



\*\*\*\*\*/\*\*\*\*\*

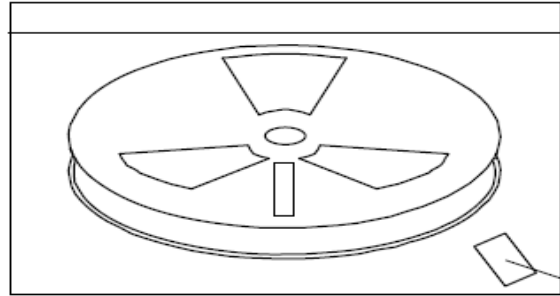
# 雅晶鑫電子

## ■ 包装 (PACKAGE)

1. 自封袋 (Bag)

3000只=1 轮

3000pcs=1 Reel

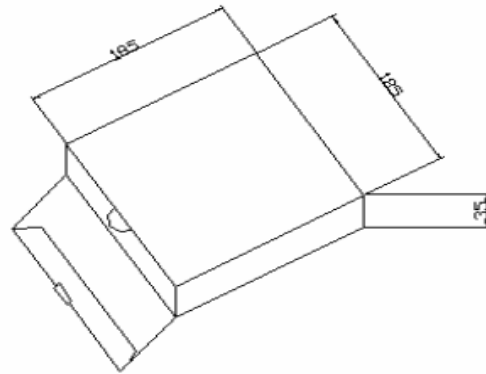


Desiccant 干燥剂

## 2. 内包装 (Inside package)

1 轮=1 盒

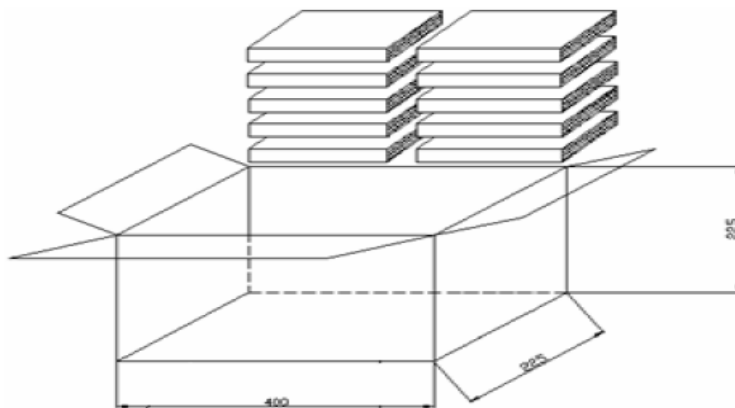
1 Reel=1 box



## 3. 外包装 (outside Package )

10 盒=1 箱

10 box=1 carton



\*\*\*\*\*8\*\*\*\*\*