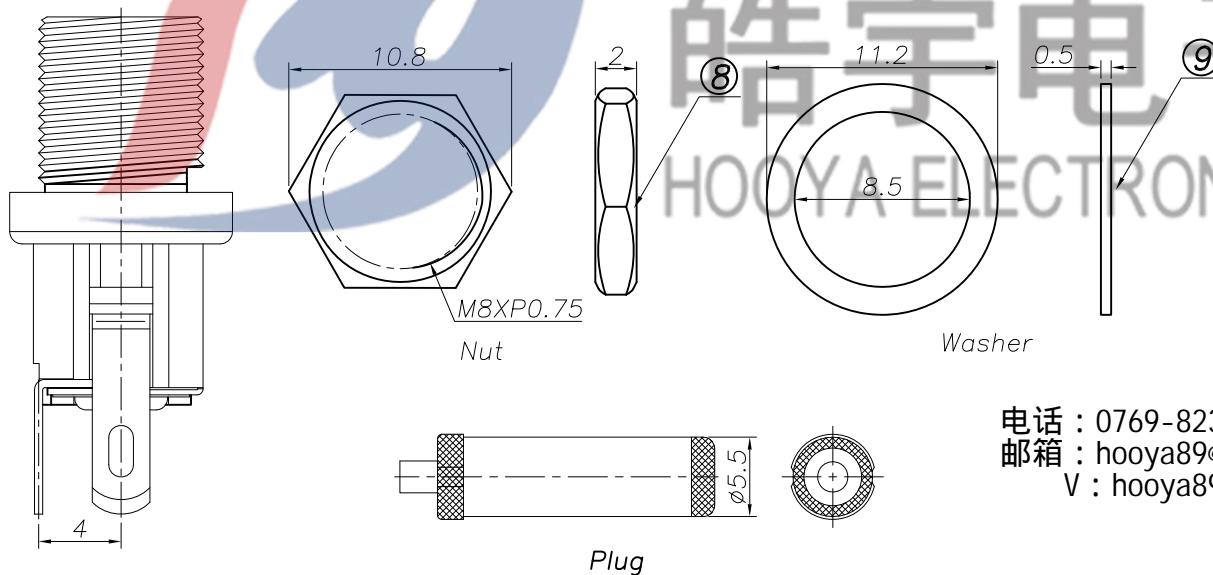


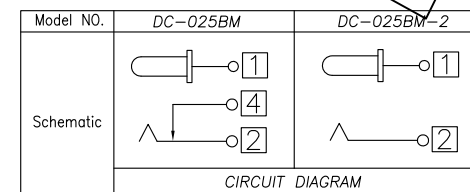
P. C. B Layout

- SPECIFICATION**
1. Rating : 30V 3.0A;
  2. Contact resistance:  $\leq 30m\Omega$ ;
  3. Insulation resistance:  $\geq 100M\Omega$  (DC500V);
  4. Withstand voltage: 500VAC ;
  5. Insertion and extraction force: 3-30N;
  6. life test: 5,000 cycles.



电话 : 0769-82310511  
 邮箱 : hooya89@hooya. hk  
 V : hooya89

PIN	ø2.0	ø2.35	ø2.5
-----	------	-------	------



9	WASHER	STEEL	1	Ni-PLATED
8	NUT	BRASS	1	Ni-PLATED
7	WASHER	BAKELITE	2	
6	PIN	BRONZE	1	Ni-PLATED
5	BUSHING	BRASS	1	Ni-PLATED
4	SHUNT TERMINAL [4]	BRASS	1	Sn-PLATED
3	TIP SPRING [2]	PBS	1	Sn-PLATED
2	CENTER PIN TERMINAL [1]	BRASS	1	Sn-PLATED
1	HOUSING	PBT	1	
NO.	PART NAME	MATERIAL	QTY	FINISHING

<b>TOLERANCE UNLESS SPECIFIED</b>					
UP TO 5mm: ±0.1	ANGULAR	A0	2018.3.21	初版	
ABOVE 5mm: ±0.2	±1°	NO	DATE	REVISIONS	BY APPD
TITLE: DC JACK		UNIT : MM	ROHS COMPLIANT	DWN	
MODEL: DC-025BMø2.5		SCALE: 1:1	CHK'D		
HAOYU(HONGKONG)LIMITED 皓宇(香港)有限公司		APPD			
		PRO.AGL:		REV :A0	