

产品承认书

SPECIFICATION FOR APPROVED

版本:REV. A0

客户

8826

Customer

客户料号

744862082A

Customer P/N

品名

COMMON MODE FILTER

Description

产品型号

CKUU9.8-8.2mH-A0867

CENKER P/N

图纸编号

SP-CK112-00057105

Drawing No.

产品编号

Product code.

出图

DRAWING

制表

审核

批准

Prepared By

Checked By

Approved By

梁勇敢

梁勇敢

钟远明

DATE:

2020/11/12

承认

CUSTOMER APPROVAL

DATE:

深圳市岑科实业有限公司

SHENZHEN CENKER ENTERPRISE LTD.

地址:深圳市宝安区龙华镇清泉路金博龙工业园C栋

Address:Building No.C Jinbolong Industrial
Estate,Qingquan Road,Longhua Town Shenzhen
P.R.China

TEL:0755-89808755 FAX:0755-27525256

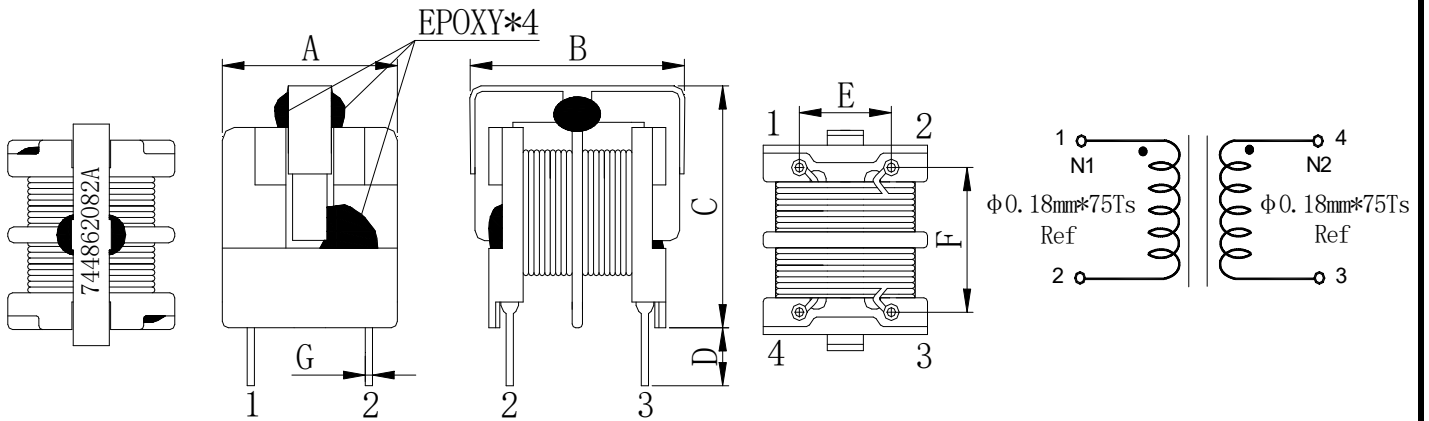


SPECIFICATION FOR APPROVAL

RoHS COMPLIANT

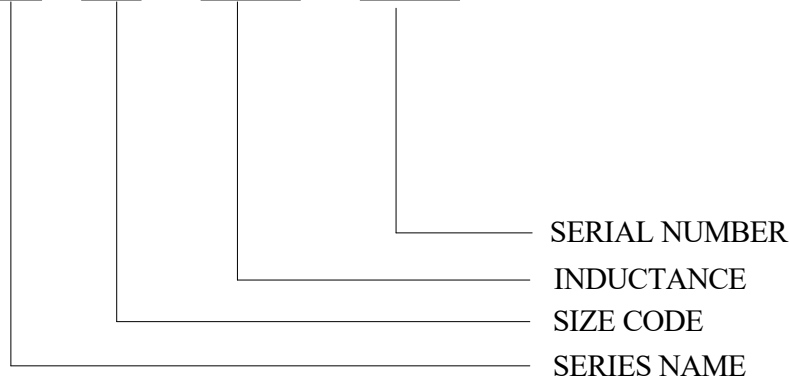
CUSTOMER	8826	CUSTOMER No.	744862082A	PAGE 1/4
CENKER P/N	CKUU9.8-8.2mH-A0867	DRAWING No.	SP-CK112-00057105	
ISSUE DATE	2020/11/12	VERSION	A0	

1、 DIMENSION (mm):



A	B	C	D	E	F	G
11.5Max	17.0Max	17.0Max	3.4±0.4	7.0±0.3	8.0±0.3	Φ0.6±0.1

CKUU 9.8 - 8.2mH - A0867



2、 TEMPERATURE RATING:

Operating Temperature : -25°C ~ +85°C ; Storage Temperature : -25°C ~ +85°C

 <p>深圳市岑科实业有限公司 SHEN ZHEN CENKER ENTERPRISE LTD. TEL:0755-89808755 FAX:0755-27525256</p>	PREPARED	CHECKED	APPROVED
	梁勇敢	梁勇敢	钟远明

SPECIFICATION FOR APPROVAL

RoHS COMPLIANT

CUSTOMER	8826	CUSTOMER No.	744862082A	PAGE
CENKER P/N	CKUU9.8-8.2mH-A0867	DRAWING No.	SP-CK112-00057105	2/4
ISSUE DATE	2020/11/12	VERSION	A0	

3、ELECTRICAL REQUIREMENTS:

ITEM	SPEC.	TOLERANCE	TEST FREQUENCY	TEST EQUIPMENT
L1=L2	8.2mH	+ 50% - 30%	10kHz/0.1V	HP-4284A
R.Current	0.5A	Max.	10kHz/0.1V	CD1068+CD1320
DCR1=DCR2	1.3 Ω	Max.	At 25°C	CH-502A
HI-POT	COIL-COIL	AC2000V	5mA/ 2S	GY2670A

4、MATERIAL LIST:

No.	Material	Specification	Supplier	UL No.	
1	BOBBIN	UU9.8 PM-9820 /150°C or Equivalent	ZY	E41429	
2	CLIP	UU9.8 or Equivalent	DY	N/A	
3	CORE	UU9.8 A10 or Equivalent	ACME	N/A	
4	WIRE	2UEW/180°C or Equivalent	YLSL	E258243	
		2UEW /180°C or Equivalent	TY	E234896	
5	EPOXY	300B-TPG or Equivalent	QF	N/A	
6	SOLDER	Sn99.3-Cu0.7 or Equivalent	CS	N/A	



深圳市岑科实业有限公司
SHEN ZHEN CENKER ENTERPRISE LTD.
TEL:0755-89808755 FAX:0755-27525256

PREPARED	CHECKED	APPROVED
梁勇敢	梁勇敢	钟远明

SPECIFICATION FOR APPROVAL

RoHS
COMPLIANT

PAGE:3/4

CUSTOMER	8826		PRODUCT CODE			
CUSTOMER No.	744862082A		QUANTITY	10PCS	DATE	2020/11/12
DRAWING No.	SP-CK112-00057105		DIMENSION(UNIT: mm)			
ITEM	CKUU9.8-8.2mH-A0867					
DESCRIPTION	COMMON MODE FILTER					
TEST FREQ	10kHz/0.1V					
TEMPERATURE	25 °C	HUMIDITY				

5. TESTING DATA:

ELECTRONICAL TEST DATA					OREALL DIMENSION (UNIT: mm)								Marking
	L1 (mH)	L2 (mH)	DCR1 (Ω)	DCR2 (Ω)	A	B	C	D	E	F	P		Print
SPEC	8.2mH + 50% - 30%	8.2mH + 50% - 30%	1.3 Ω Max.	1.3 Ω Max.	11.5Max	17.0Max	17.0Max	3.4±0.4	7.0±0.3	8.0±0.3	Φ0.6±0.1		
1	7.55	7.55	1.07	1.07	10.79	15.62	15.74	3.43	7.00	7.97	0.59		
2	7.89	7.89	1.06	1.06	10.78	15.62	15.85	3.47	7.02	8.00	0.61		
3	8.02	8.02	1.06	1.06	10.80	15.58	15.95	3.41	7.00	7.99	0.61		
4	8.59	8.59	1.06	1.06	10.80	15.59	15.78	3.35	6.97	8.03	0.59		
5	8.01	8.01	1.07	1.07	10.76	15.62	15.88	3.39	7.03	7.96	0.59		
6	7.78	7.78	1.06	1.06	10.78	15.61	15.78	3.45	7.02	7.96	0.60		
7	8.66	8.66	1.07	1.07	10.81	15.62	15.90	3.33	7.01	7.97	0.59		
8	8.97	8.97	1.06	1.06	10.77	15.61	15.93	3.41	7.02	8.02	0.60		
9	8.93	8.93	1.05	1.05	10.78	15.58	15.78	3.38	6.97	8.00	0.59		
10	8.20	8.20	1.06	1.06	10.76	15.62	15.84	3.36	7.02	8.00	0.61		
\bar{X}	8.26	8.26	1.06	1.06	10.78	15.61	15.84	3.40	7.01	7.99	0.60		
R	1.42	1.42	0.02	0.02	0.05	0.04	0.21	0.14	0.06	0.07	0.02		

TEST EQUIPMENT:

ALL JUDGE

OK NG

L CH-1062A HP-4284A

Q HM2801A HM9481 CJ2851

DCR CH-502A

HI-POT GY2670A

R.Current CD1068+CD1320



深圳市岑科实业有限公司

SHEN ZHEN CENKER ENTERPRISE.LTD

TEL:0755-89808755 FAX:0755-27525256

PREPARED

CHECKED

APPROVED

梁勇耿

梁勇耿

钟远明

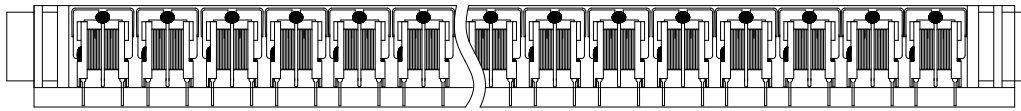
SPECIFICATION FOR APPROVAL

RoHS COMPLIANT

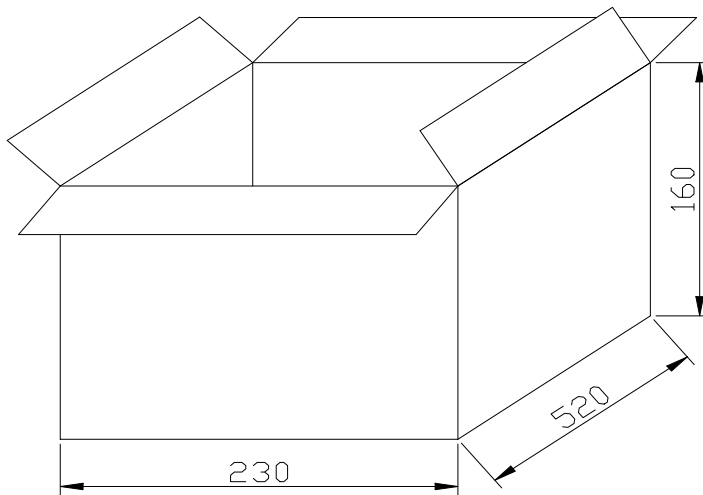
CUSTOMER	8826	CUSTOMER No.	744862082A	PAGE
CENKER P/N	CKUU9.8-8.2mH-A0867	DRAWING No.	SP-CK112-00057105	4/4
ISSUE DATE	2020/11/12	VERSION	A0	

6、PACKING:

①PVC管500mm, 包装30PCS产品; PVC pipes 500mm, pack 30PCS of products.



②外箱: 520*230*160mm, 材质A=B, 每个外箱装100PCS管子, (上下各放1PCS平卡 512*222*3mm), 每外箱3000PCS, (印WURTH logo) 8826专用外箱。(重量: 15KG内)
Carton: 520*230*160mm, PVC pipes, 100 PCS/ box, 3000 PCS products. (Weight: less than 15 kg)



深圳市岑科实业有限公司
SHEN ZHEN CENKER ENTERPRISE LTD.
TEL:0755-89808755 FAX:0755-27525256

PREPARED	CHECKED	APPROVED
梁勇敢	梁勇敢	钟远明