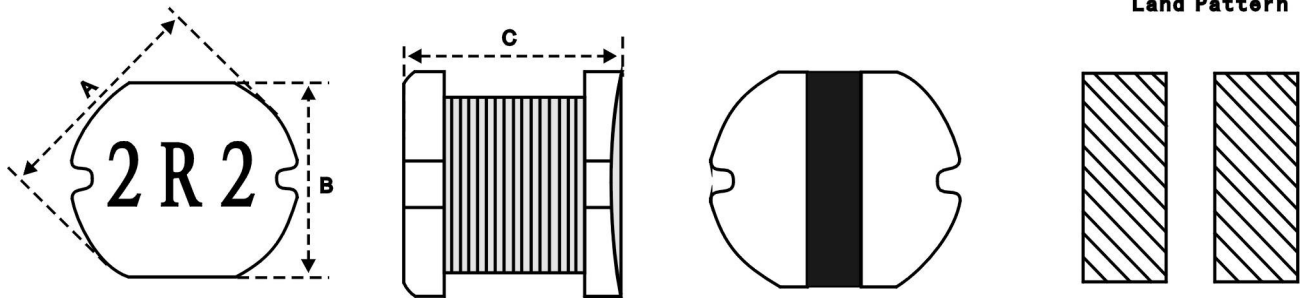


SPECIFICATION FOR APPROVAL

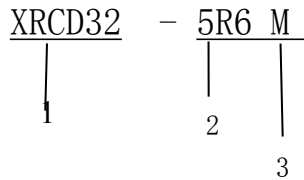
CUSTOMER		CUSTOMER No.		REF No.	0527	PAGE
ITEM	SMD POWER INDUCTOR		No.	WLC090527027		1/3
DESCRIPTION	XRCD32-5R6M		ISSUE DATE	2023. 4. 20	VERSION	A/0

一、 DIMENSION (mm)



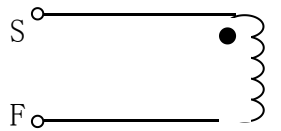
A	B	C	D	E	F
3.0±0.3	2.1±0.3	3.5±0.3	1.0	/	/

二、 ORDERING CODE



1. Product type (产品类型) Size cob (尺寸)
2. Inductance value (电感值)
3. Inductance tolerance (电感公差)
4. 注：图片丝印为产品尺寸示例图，实际丝印以实物为准。

三、 SCHEMATIC:



PREPARED		CHECKED		APPROVED	
----------	--	---------	--	----------	--

SPECIFICATION FOR APPROVAL

CUSTOMER		CUSTOMER No.		REF No.	0527	PAGE
ITEM	SMD POWER INDUCTOR		No.	WLC090527027		2/3
DESCRIPTION	XRCD32-5R6M		ISSUE DATE	2023. 4. 20	VERSION	A/0

四、ELECTRONIC CHARACTERISTICS:

ITEM	SP	TOLERANCE	TEST FREQUENCY	TEST EQUIPMENT
INDUCTANCE	5. 6μH	±20%	100KHz/1V	VR115
DCR	0. 145 Ω	Max	/	VR115
IDC	0. 9A	Max	100KHz	TH2812C+TH1772A

五、MATERIAL LIST:

No.	Material	Specification	Supply' s name
1	Core	JN4H DR3. 5*2. 1 (SH) B1. 5 F1. 0	
2	Copper wire	P180-G2 Φ0. 15mm*16. 5TS	
3	Carrier tape	SP32/12. 00mm	
4	Cover tape	9. 3mm	

六、DIMENSIONS FOR CARRIER TAPES (mm):

Part No.	A	B	P	K	W				
SP32	8. 0±0. 3	4. 4±0. 2	8. 0±0. 2	3. 5±0. 2	3. 5±0. 2				

PREPARED		CHECKED		APPROVED	
----------	--	---------	--	----------	--

TEST DATA

CUSTOMER		CUSTOMER No.			REF No.	0527		PAGE	
ITEM					No.	WLC090527027		3/3	
PART NO					QUANTITY	10pcs	DATE	2023. 4. 20	
DESCRIPTION		SMD POWER INDUCTOR							
ITEM		XRCD32-5R6M							
COIL SPEC		P180G2 Φ0.15mm							
CORE		DR 3.5*2.1							
TEST FREQ		ft=100KHz/1V							
TEMPERATURE		25° C	HUMIDITY	75%					
ELECTRICAL TEST DATA									OREALL DIMENSTON (UNIT: mm)
	L (uH)	DCR (Ω)	L 0.9A - 0A*	IDC (A)	A	B	C	D	
SP	5.6±20%	0.145 max	100%≥90%	0.9 max	3.0±0.3	2.1±0.3	3.5±0.3	1.0	98%
1	5.5	0.145		OK	3.0	2.1	3.5	1.0	OK
2	5.6	0.144		OK	3.0	2.1	3.5	1.0	OK
3	5.6	0.144		OK	3.0	2.1	3.5	1.0	OK
4	5.7	0.145		OK	3.0	2.1	3.5	1.0	OK
5	5.5	0.145		OK	3.0	2.1	3.5	1.0	OK
6	5.7	0.144		OK	3.0	2.1	3.5	1.0	OK
7	5.5	0.143		OK	3.0	2.1	3.5	1.0	OK
8	5.7	0.145		OK	3.0	2.1	3.5	1.0	OK
9	5.5	0.145		OK	3.0	2.1	3.5	1.0	OK
10	5.6	0.144		OK	3.0	2.1	3.5	1.0	OK
×									
R									
FEST EQUIPMENT:					PREPARED	CHECKED	APPROVED		
L <input type="checkbox"/> HM2801A <input type="checkbox"/> CH-1062A <input checked="" type="checkbox"/> VR102									
Q <input type="checkbox"/> HM2801A <input checked="" type="checkbox"/> HM9481 <input type="checkbox"/> CJ2851									
DCR <input type="checkbox"/> QJ23 <input type="checkbox"/> CH-983 <input type="checkbox"/> LCR-745 <input checked="" type="checkbox"/> TH2511									
IDC <input checked="" type="checkbox"/> TH2815C+TH1772A									