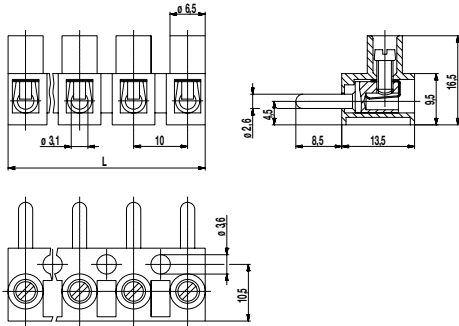


Plug-in terminal strip

321-S(-DS)

Screw connection & pin



The plug-in terminal strip 321-S is available in 10 mm pitch with 1 to 12 poles. It has one screw connection per pole and one vertical pin for the connection to the socket of the female counterpart.

The plug-in terminal strip was designed with a solid pin in order provide permanent annular contact to the socket of 321-B.

The wire protector of the "DS"-version reliably prevents damage to multi-wire flexible conductors by the turning screw. These terminals strips can be screw-mounted on a substrate.

Part Numbers

No. of poles	321-S	321-S-DS	Length	PU
2	12.821.007	32.821.007	18,00	1000
3	13.821.007	33.821.007	28,00	1000
4	14.821.007	34.821.007	38,00	500
5	15.821.007	35.821.007	48,00	500
6	16.821.007	36.821.007	58,00	100
7	17.821.007	37.821.007	68,00	100
8	18.821.007	38.821.007	78,00	80
9	19.821.007	39.821.007	88,00	80
10	20.821.007	40.821.007	98,00	50
11	21.821.007	41.821.007	108,00	50
12	22.821.007	42.821.007	118,00	50

General Information

Pitch	10 mm
No. of poles	2 - 12
Usable with	321-B(-DS)
Areas of application	Applications that require to easily open and close not energised circuits.



Technical Data

Clamping Range	<i>solid / flexible / AWG</i>		
<i>without wire protector</i>	0,75 - 6 mm ² / 0,75 - 2,5 mm ² / 18 - 12 AWG		
<i>with wire protector</i>	0,5 - 4 mm ² / 0,5 - 2,5 mm ² / 20 - 12 AWG		
Rated Cross Section	2,5 mm ²		
Wire Stripping Length	6 mm ± 0,5 mm		
Overvoltage Category	III	III	II
Pollution Severity Level	3	2	2
Rated Voltage	320 V	320 V	630 V
Rated Impulse Voltage	4 kV	4 kV	4 kV
Rated Insulation Voltage	450 V acc. to EN 60998-1 [1]		
Rated Current	16 A		
Torque	0,5 Nm		
Other specifications	Rated values apply to use in combination with 321-B(-DS) and insulated substrates.		

Material

Moulding	PA, natural, V-2
Comparative Tracking Index	CTI ≥ 600
Insulating Group	I
Temperature Range	-40°F up to 100°C
Terminal Body	Nickel plated brass
Screw	M3; zinc plated steel, blue passivated
Wire protector	Tin plated tin bronze
Plug	Nickel plated brass

Approvals

	Current	Voltage	Group	AWG	Nm
	20	300	B	18 - 12	0,51
	15	300	B	26 - 10	0,51 [2]
	10	300	D,E	26 - 10	0,51 [2]

Options / Accessories

- Marking options on the screw guides
- Leading plug for the protective conductor pole

[1] with insulating base

[2] for 321-S-DS: 26 - 12 AWG