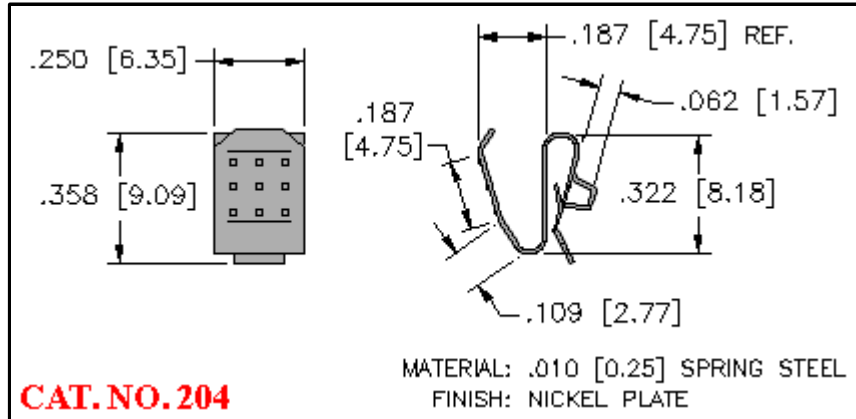




Single Leaf Spring Battery Contacts
"AAA" • "AAAA" & "N" Size

[Click to Request Samples](#)



[Home Page](#) | [Standard Products](#) | [Go Back](#)

Keystone Electronics Corp.
31-07 20th Road Astoria, NY 11105 USA
Phone: (718) 956-8900 Toll Free: (800) 221-5510 Fax: (718) 956-9040