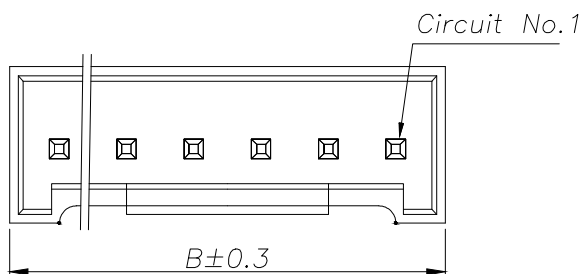
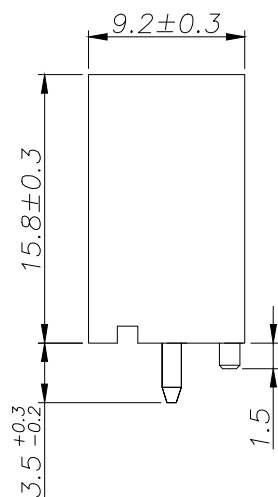
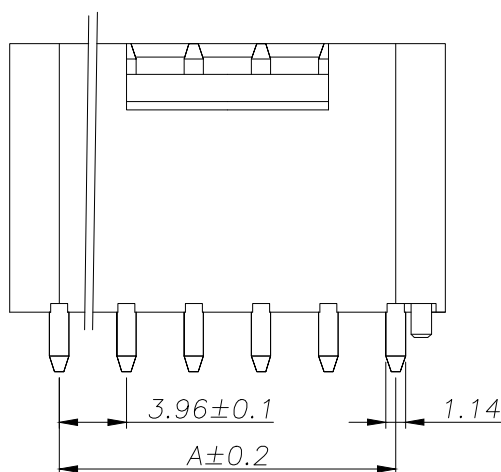


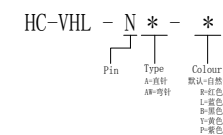
SPECIFICATIONS

1. Current Rating: 7A AC, DC
2. Voltage Rating: 250V AC, DC
3. Temperature Range: -25°C ~ +85°C
4. Contact Resistance: 20mΩ Max
5. Insulation Resistance: 1000mΩ Min
6. Withstanding Voltage: 1500V AC/minute
7. Material: Wafer Nylon66 UL94-V0(2)
PIN Brass Tin-plated



Circuit	Part NO.	Dimensions mm	
		A	B
2	HC-VHL-2A-X	3.96	8.80
3	HC-VHL-3A-X	7.92	13.76
4	HC-VHL-4A-X	11.88	17.72
5	HC-VHL-5A-X	15.84	21.68
6	HC-VHL-6A-X	19.80	25.64
7	HC-VHL-7A-X	23.76	29.60
8	HC-VHL-8A-X	27.72	33.56
9	HC-VHL-9A-X	31.68	37.52
10	HC-VHL-10A-X	35.64	41.48
11	HC-VHL-11A-X	39.60	45.44
12	HC-VHL-12A-X	43.56	49.40
13	HC-VHL-13A-X	47.52	53.36
14	HC-VHL-14A-X	51.48	57.32
15	HC-VHL-15A-X	55.44	61.28

Ordering Information



			GENERAL TOLERANCE		制图 DRAWING		深圳市华灿天禄电子有限公司 ShenzhenhuacantianluELECTRONICS CO.,LTD			
			DIM	TOL	审核 CHECK		产品名称 TITLE	3.96 直针 (座高15.8mm)	版本 REV.	A
			X.X	±0.30	批准 APPROVAL		产品料号 PART NO.	HC-VHL-NA-X	单位 UNITS	mm
			X.XX	±0.20	比例 SCALE		材料 MATERIAL		页次 SHEET	1/1
			X.XXX	±0.10	投影 Projection					
序号 No.	变更内容 MODIFY CONTENT	日期 MODIFY DATE	Angle	±3.0°						