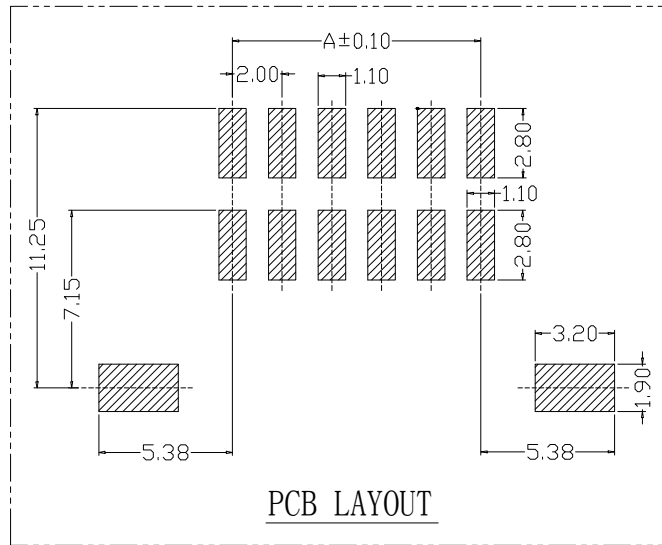
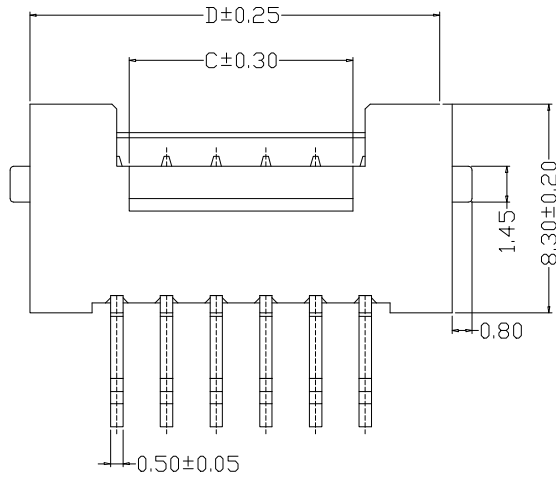
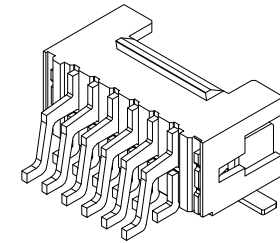
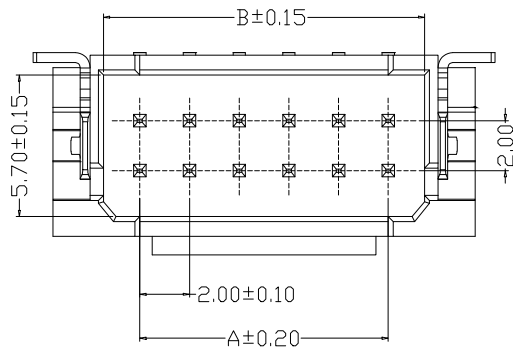


SPECIFICATIONS

- 1、Current Rating: 3A AC, DC
- 2、Voltage Rating: 250V AC, DC
- 3、Temperatuer Range: -25℃~ +85℃
- 4、Contact Resistance: 20mΩ Max
- 5、Insulation Resistance: 1000mΩ Min
- 6、Withstanding Voltang: 800V AC/minute
- 7、Material: Wafer Nylon66 UL94-V0
PIN Brass Tin-plated



Circuit	Part NO.	Dimensions mm			
		A	B	C	D
2	HC-PHB-2x2AWT	2.00	4.90	3.00	9.00
3	HC-PHB-2x3AWT	4.00	6.90	3.00	11.00
4	HC-PHB-2x4AWT	6.00	8.90	3.00	13.00
5	HC-PHB-2x5AWT	8.00	10.90	5.00	15.00
6	HC-PHB-2x6AWT	10.00	12.90	7.00	17.00
7	HC-PHB-2x7AWT	12.00	14.90	9.00	19.00
8	HC-PHB-2x8AWT	14.00	16.90	11.00	21.00
9	HC-PHB-2x9AWT	16.00	18.90	13.00	23.00
10	HC-PHB-2x10AWT	18.00	20.90	15.00	25.00
11	HC-PHB-2x11AWT	20.00	22.90	17.00	27.00
12	HC-PHB-2x12AWT	22.00	24.90	19.00	29.00
13	HC-PHB-2x13AWT	24.00	26.90	21.00	31.00
14	HC-PHB-2x14AWT	26.00	28.90	23.00	33.00
15	HC-PHB-2x15AWT	28.00	30.90	25.00	35.00
16	HC-PHB-2x16AWT	30.00	32.90	27.00	37.00
17	HC-PHB-2x17AWT	32.00	34.90	29.00	39.00
18	HC-PHB-2x18AWT	34.00	36.90	31.00	41.00
19	HC-PHB-2x19AWT	36.00	38.90	33.00	43.00
20	HC-PHB-2x20AWT	38.00	40.90	35.00	45.00



			GENERAL TOLERANCE		制图 DRAWING				
			DIM	TOL	审核 CHECK				
			X.X	±0.30	批准 APPROVAL				
			X.XX	±0.20	比例 SCALE				
			X.XXX	±0.10	投影 Projection				
序号 No.	变更内容 MODIFY CONTENT	日期 MODIFY DATE	Angle	±3.0°					


深圳市华灿天禄电子有限公司
 ShenzhenhuacantianluELECTRONICS CO.,LTD

产品名称 TITLE	PHB (2.0) 双排卧贴	版本 REV.	A
产品料号 PART NO.	HC-PHB-2xNAWT	单位 UNITS	mm
材料 MATERIAL		页次 SHEET	1/1