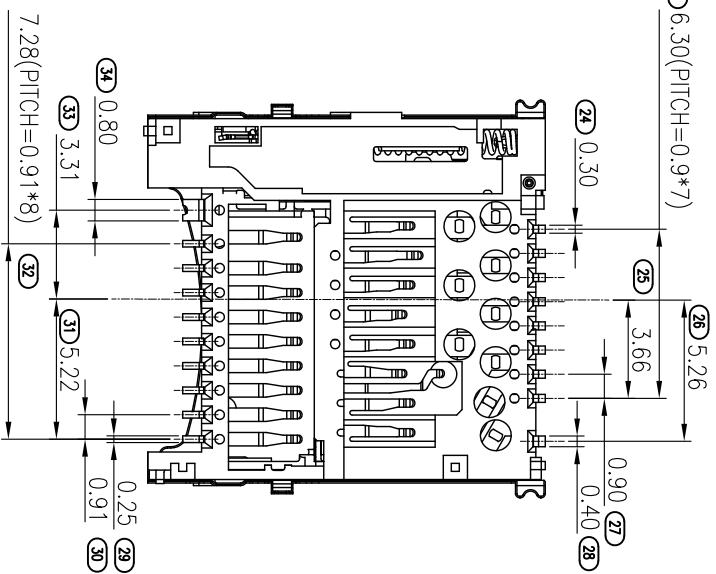
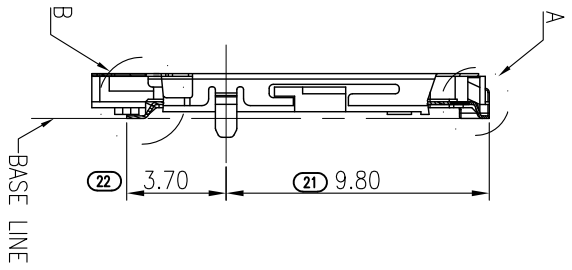
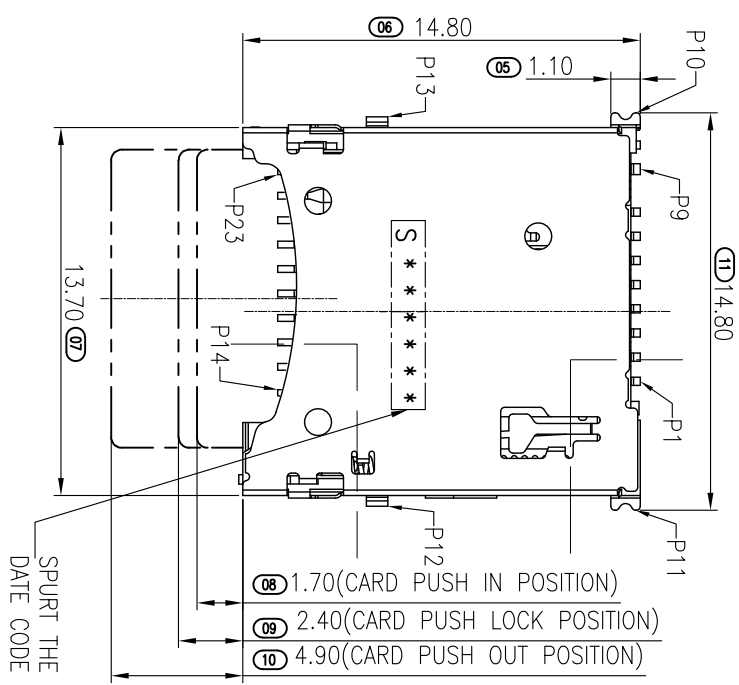
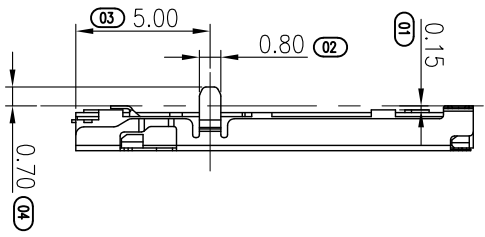
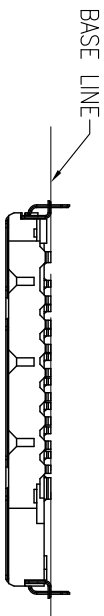


ROHS



DATE CODE NOTES: S * * * * *

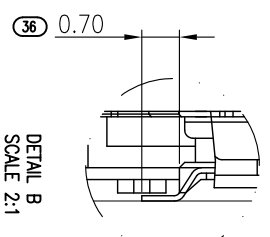
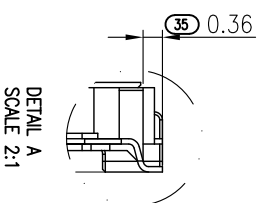
DD : 01 MONDAY

07 SUNDAY

WW : 01:TWEEK

56:56WEEK

YY:17:2007YEAR

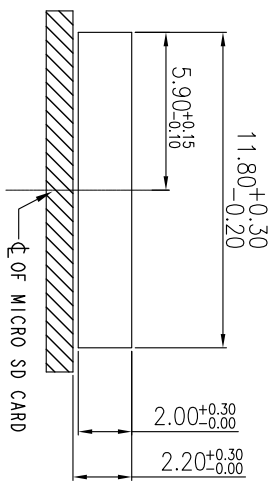
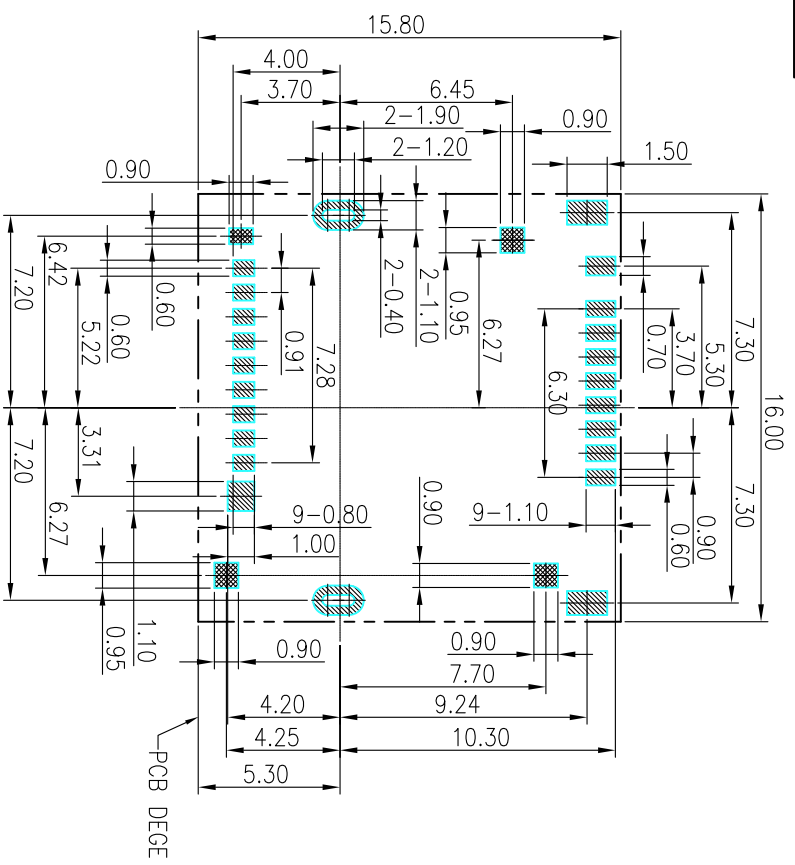


MILLIMETERS	INCH	UNITS	MM
X ^o ± Z	X ^o ± Z	MAT'L	
.X ±0.30	.XX ±0.012	SEE NOTES	
.XX ±0.20	.XXX ±0.008	FINISH	
.XXX±0.10	.XXXX±0.004	SEE NOTES	
		QTY	
		SEE NOTES	

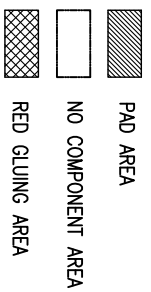
MINTRON TECHNOLOGY CO.,LTD.		TITLE:	
PART NUMBER: MT102032712		MICRO SD4.0 TOP MOUNT H=1.67 P/P TYPE客户图	
APPD:	CHKD:	DWG NO.:	C-102032712-00
DR:		SCALE	SHEET
		1:1	1/3
		REV.	X1

REV.	EC#	DESCRIPTION	DATE	DRAWING	CHECKED	APPROVED
X0		NEW RELEASE	10/23'18	WZX		LHY
X1	ECN1906007	PITCH由20变更为24	06/14'19	ZHOU		LHY

ROHS



RECOMMENDED P.C.B LAYOUT
TOP VIEW (TOLERANCE +/- 0.05)



- NOTES:
- (1) MATERIAL:
 - 1-1.PLASTIC: LCP THERMOPLASTIC UL 94V-0 COLOR: BLACK
 - 1-2.CONTACT: COPPER ALLOY.
 - 1-3.SELL: STAINLESS STEEL.
 - (2) PLATING:
 - 2-1.CONTACT:CONTACT AREA AU 3U" OVER NI 50U" SOLDER TAIL AREA: MATTED TIN 80U"MIN OVER NI 50".
 - 2-2.SHELL: SOLDERABILITY OVER PLATING NI 50U" OVER ALL.
 - (3) CONTACT AND TAIL COPLANARITY TO BE 0.10MM MAX.

OPENING/CLOSE OF SWITCH		CARD DETECT SWITCH		MILLIMETERS	INCH	UNITS	MM	PART NUMBER:		TITLE:	
CARD UNINSERTION		OPEN	OPEN	X [°] ± Z'	X [°] ± Z'	MM		MINTRON TECHNOLOGY CO.,LTD.		MICRO SD4, 0 100P MOUNT H=1.67 P/P TYPE客户图	
CARD HALF INSERTION		OPEN	OPEN	.XX ± 0.20	.XX ± 0.012	SEE NOTES		MT102032712		DWG NO: C-102032712-00	
CARD INSERTION		CLOSE	CLOSE	.XXX ± 0.10	.XXX ± 0.004	FINISH				SCALE SHEET REV.	
N/O		OPEN	CLOSE			SEE NOTES				1:1 2/3 X1	
	P6 P9	P6 P9	P6 P9			QTY					
						DR:					

