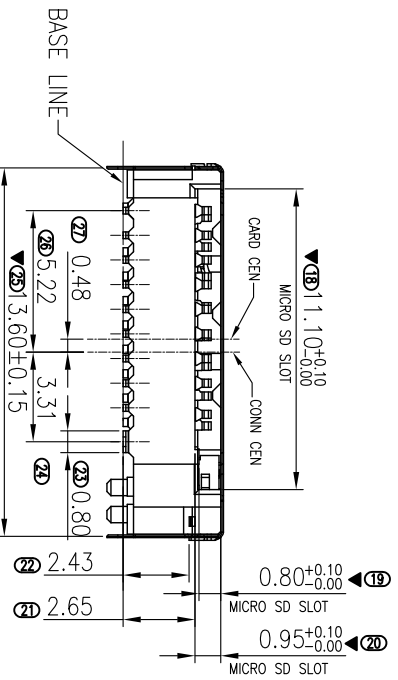
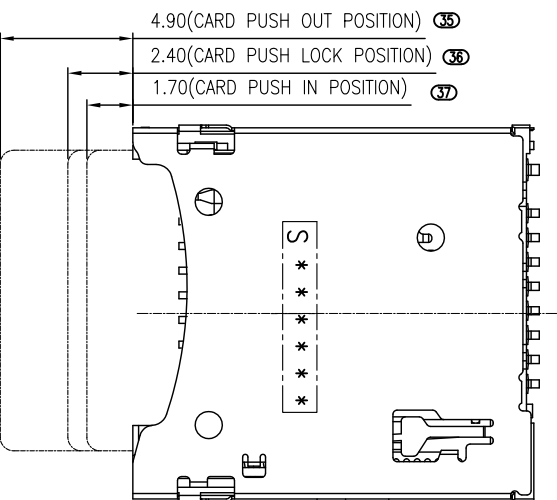
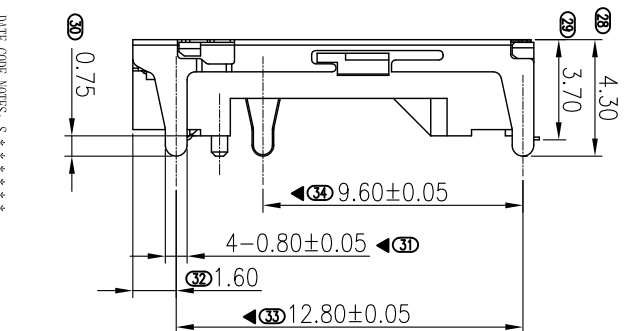
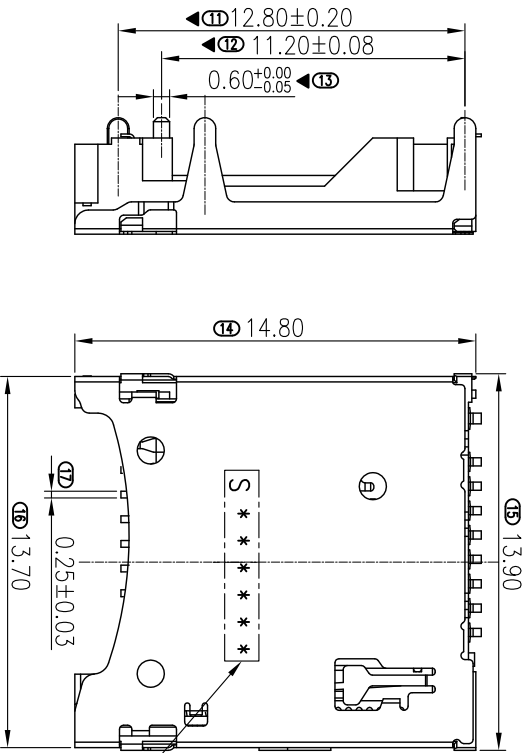
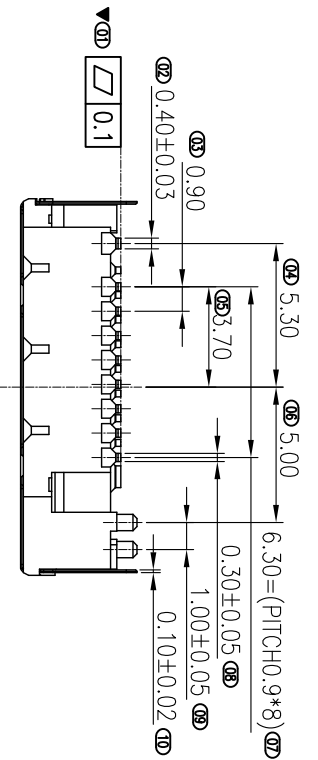


ROHS

REV.	EC#	DESCRIPTION	DATE	DRAWING	CHECKED	APPROVED
X0		NEW RELEASE	10/23/18	WZX		LHY



DATE CODE NOTES: S*****
 DD: 01 MONDAY
 ..
 07 SUNDAY
 ..
 WW: 01: WEEK
 ..
 56: 56WEEK
 ..
 YY: 17: 2017YEAR

TOP VIEW

MINTRON TECHNOLOGY CO.,LTD.

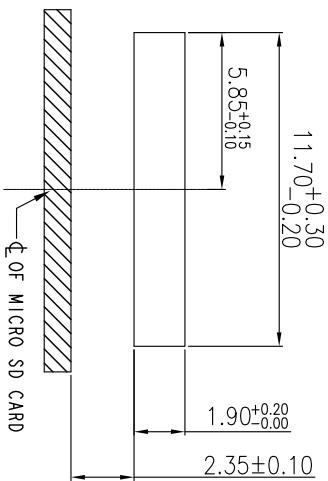
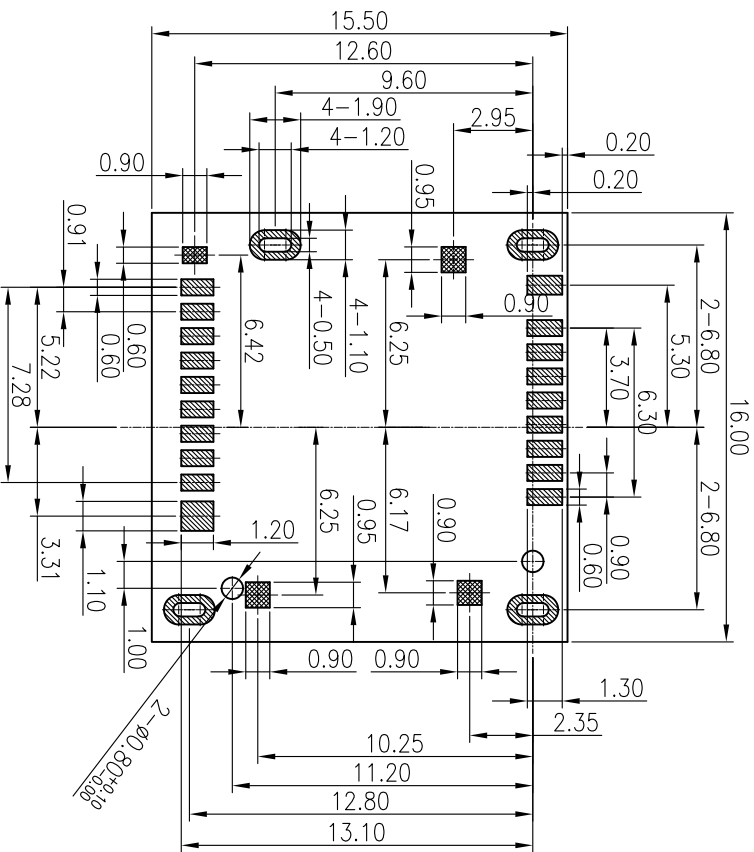
PART NUMBER: MT102012562
 TITLE: MICRO SDA. 0 TOP MOUNT H=3.70P/P TYPE客户图

APPD: C-102012562-00
 DWG NO.:
 CHKD:
 DRC:
 QTY: SEE NOTES
 FINISH: SEE NOTES
 MAT'L: SEE NOTES
 UNITS: MM

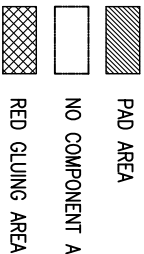
MILLIMETERS	INCH	UNITS	MM
X° ± 2'	X° ± 2'		
X ± 0.30	XX ± 0.012		
XX ± 0.20	XXX ± 0.008		
XXX ± 0.10	XXXX ± 0.004		

SCALE: 1:1
 SHEET: 1/3
 REV. X0

ROHS



- NOTES:
- (1) MATERIAL:
 - 1-1.PLASTIC: TOP THERMOPLASTIC UL 94V-0 COLOR: BLACK
 - 1-2.CONTACT: COPPER ALLOY.
 - 1-3.SELL: STAINLESS STEEL.
 - (2) PLATING:
 - 2-1.CONTACT:CONTACT AREA AU 3U" OVER NI 50U" SOLDER TAIL AREA: MATTED TIN 80U"MIN. OVER NI 50"
 - 2-2.SHELL:SOLDERABILITY OVER PLATING NI 50U" OVER ALL.
 - (3) CONTACT AND TAIL COPLANARITY TO BE 0.10MM MAX.



RECOMMENDED P.C.B LAYOUT
TOP VIEW(TOLERANCE+/-0.05)

OPENING/CLOSE OF SWITCH

CARD UNINSERTION	CARD DETECT SWITCH
CARD HALF INSERTION	OPEN
CARD INSERTION	OPEN
N/O	CLOSE

MILLIMETERS	INCH	UMTS	MM
X' ± Z'	X' ± Z'	MAT'L	SEE NOTES
X ±0.30	XX ±0.012	SEE NOTES	
XX ±0.20	XXX ±0.008	FINISH	SEE NOTES
XXX±0.10	XXXX±0.004	SEE NOTES	

MINTRON TECHNOLOGY CO.,LTD.	
PART NUMBER:	MT102012562
CHKD:	
DR:	

TITLE:	MICRO SD, 0 TOP MOUNT H=3.70 P/P TYPE客户图
DWG NO.:	C-102012562-00
SCALE	1:1
SHEET	2/3
REV.	X0

Pin No.	Pin Assignment
P1	MICRO SD DAT2
P2	MICRO SD CD/DAT3
P3	MICRO SD CMD
P4	MICRO SD VDD1
P5	MICRO SD CLK
P6	MICRO SD VSS
P7	MICRO SD DAT0/RCLK
P8	MICRO SD DAT1/RCLK
P9	MICRO SD CD
P10	GND
P11	GND
P12	GND
P13	GND
P14	GND
P15	MICRO SD VDD2
P16	MICRO SD SW10
P17	MICRO SD VSS
P18	MICRO SD DD+
P19	MICRO SD DD-
P20	MICRO SD VSS
P21	MICRO SD DI-
P22	MICRO SD DI+
P23	MICRO SD VSS