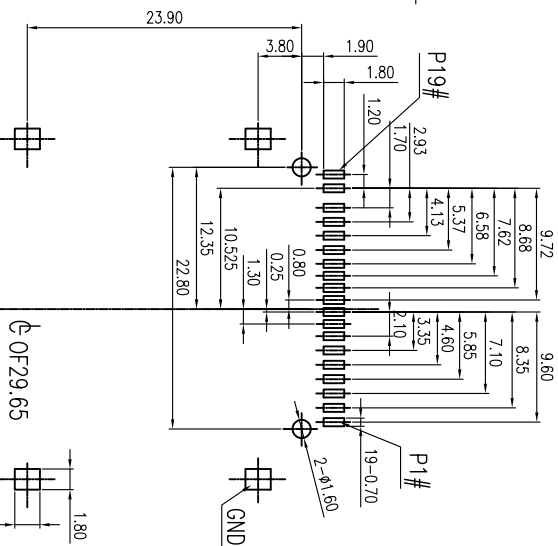
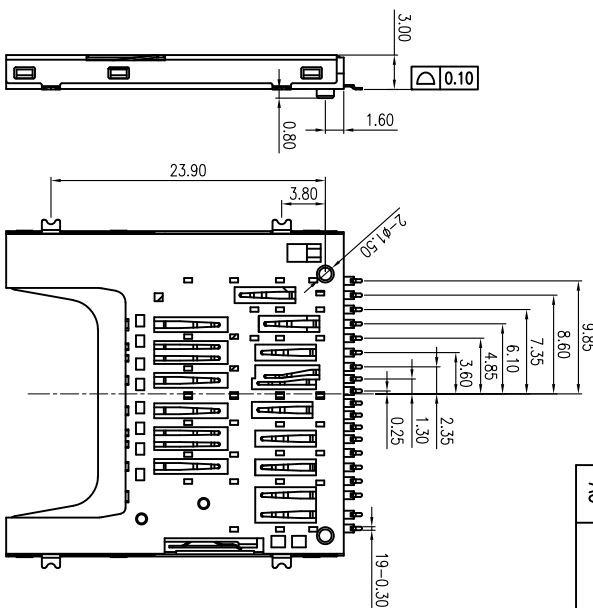
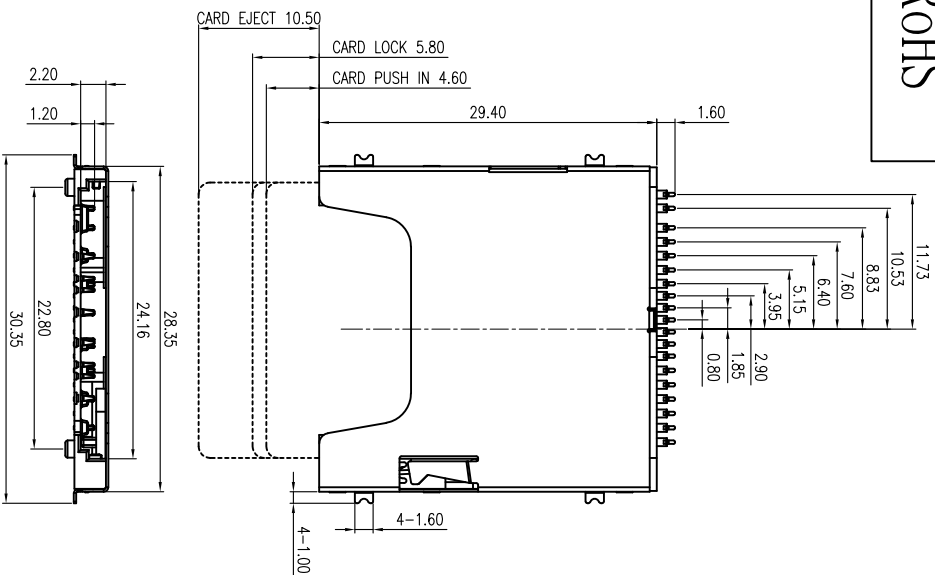
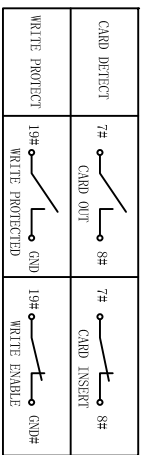


ROHS



RECOMMENDER PCB LAYOUT  
TOLERANCE UNLESS OTHERWISE IS ±0.05



PIN DEFINE:

| PIN# | NAME     | DESCRIPTION                | PIN# | NAME  | DESCRIPTION           |
|------|----------|----------------------------|------|-------|-----------------------|
| 1    | VSS3     | GROUND                     | 11   | VDD1  | SUPPLY VOLTAGE        |
| 2    | DATA2    | DATA LINE BIT2             | 12   | DI-   | DIFFERENTIAL DATE 1-  |
| 3    | DO+      | DIFFERENTIAL DATE 0+       | 13   | CLK   | CLOCK                 |
| 4    | CD/DATA3 | CARD DETECT/DATA LINE BIT3 | 14   | DI+   | DIFFERENTIAL DATE 1+  |
| 5    | DO-      | DIFFERENTIAL DATE 0-       | 15   | VSS2  | SUPPLY VOLTAGE GROUND |
| 6    | CMD      | COMMAND/RESPONSE           | 16   | VSS5  | GROUND                |
| 7    | CD       | CARD DETECT                | 17   | DATA0 | DATA LINE BIT0        |
| 8    | VSS1     | SUPPLY VOLTAGE GROUND      | 18   | DATA1 | DATA LINE BIT1        |
| 9    | VSS4     | GROUND                     | 19   | WP    | WRITE PROTECT         |
| 10   | VDD2     | SUPPLY VOLTAGE (1.8V)      |      |       |                       |

**SPECIFICATION**  
1. Material:  
Insulator: LCP, rated UL94V-0,color:black.  
Contacts: Phosphor Bronze,  
Tin 80u"MIN at Solder Tail,  
Selective Gold on Contact Area Plating.  
Shell: Stainless Tail,  
Gold at Solder Tail,  
Over Nickel Plating.  
2. Electrical Characteristics:  
Operating voltage : 500V(AC/DC).  
Current rating : 1.0 A.  
Operating Temperature: -25°C~+85°C.  
Insulation resistance: 1000M ohms min. at 250VDC  
Dielectric withstanding voltage:500 VAC/1minute.  
Contact resistance: 100m ohms max.  
Mating cycle: 5000 cycles, spring is not breaking.

MINTRON TECHNOLOGY CO.,LTD.

PART NUMBER: MT102012552 TITLE: SD 4.0 CARD PUSHH CONN. (板上)  
APPD: DWG NO: C-102012552-00

MM QTY SEE NOTES  
SCALE 1:1 SHEET 1/2 REV. A0

| REV. | EC# | DESCRIPTION | DATE     | DRAWING | CHECKED | APPROVED |
|------|-----|-------------|----------|---------|---------|----------|
| A0   |     | NEW RELEASE | 09/14'18 | SKY     | WZX     | HAIYONG  |