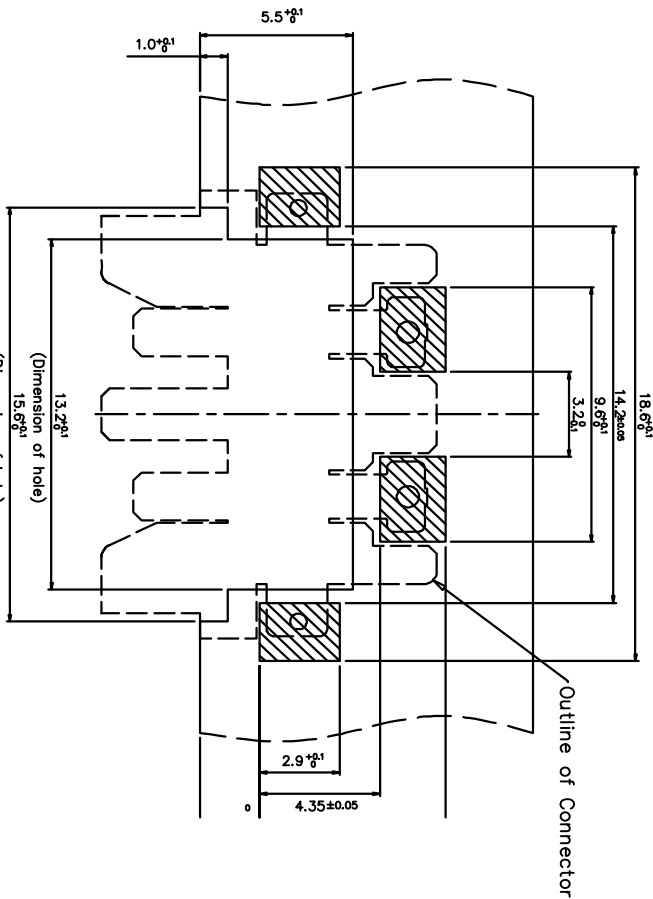
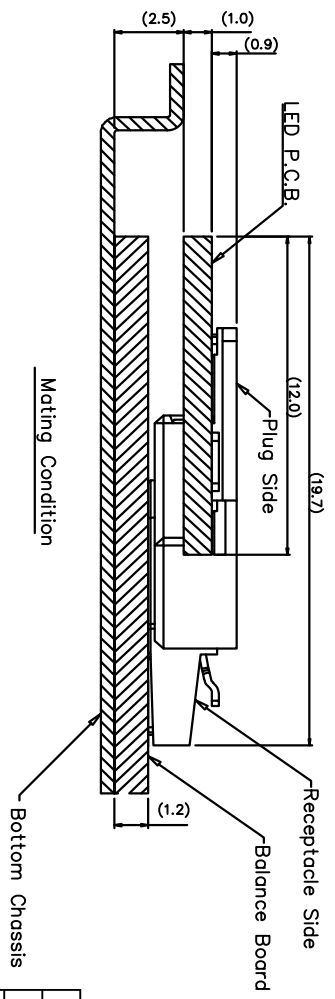
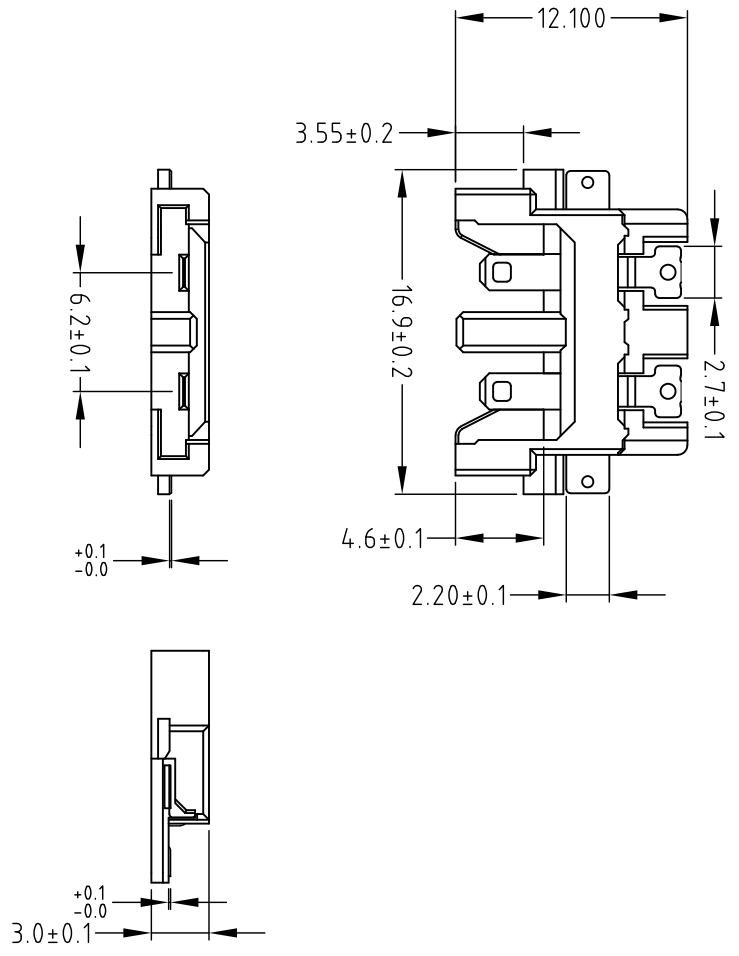


REV.	ECN. NO.	APPD.
A		

SPECIFICATIONS

- Current Rating: 1A AC/DC
- Voltage Rating: 125VAC/DC
- Withstanding Voltage: 500V AC/minute
- Insulation resistance: 100M Ω /min
- Temperature range: -25° C ~ +85° C
- Contact Resistance: 20m Ω Max
- Material: Wafer PA9T UL94V-0
- PIN Phosphoric copper Tin-plated
- Solder tads Phosphoric copper Tin-plated



PCB LAYOUT

PCB Pattern (Metal Mask T=0.10mm)

X.	±0.30	X.°	±5°	UNITS	mm	NAME (INTENDED USE)	MINTRON CO., LTD.		
	±0.20	X.°	±2°	MATL					
.XX	±0.10	.XX°	±1°	FINISH		PART NO. (INTENDED USE)	6201 / 沉板 SMT		
.XXX	±0.05	.XXX°	±0.5°	QTY		APPD:	SUNNY		
FLAT CABLE CONNECTOR				DR:	ZOE	2023-06-16	DWG NO.:	MT6201-02A	
				SCALE	1/1	SHEET	1/1	REV.	A