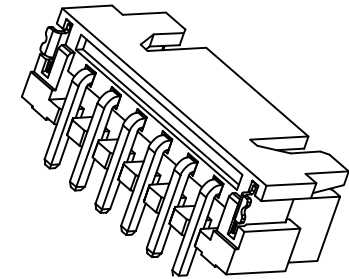
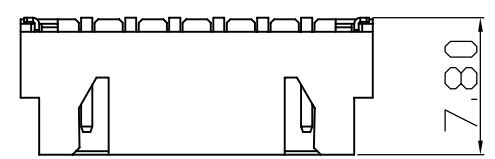


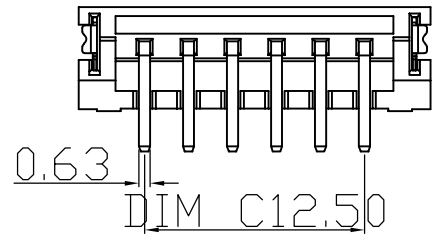
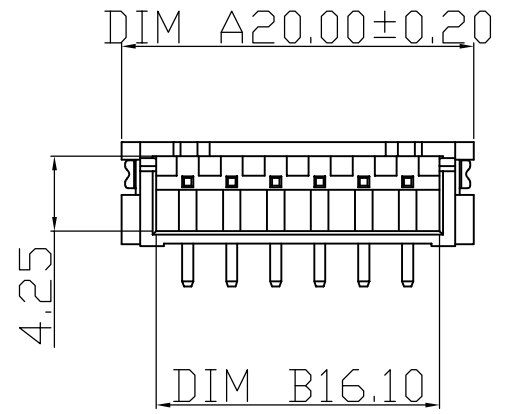
RoHS 2.0

REV.	ECN NO.	DESCRIPTION	DATE	DESIGN
A1.	/.	新版发行	2022.12.02	LZR



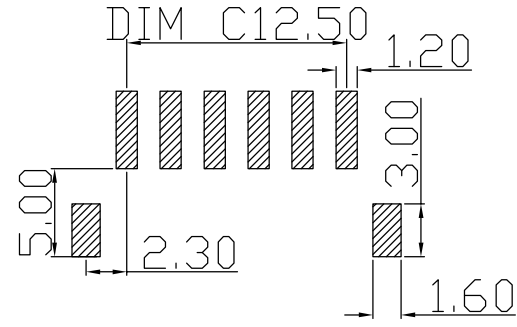
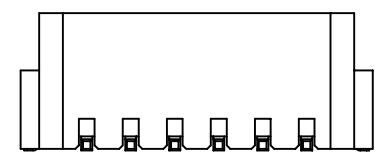
3D

PIN	DIM A	DIM B	DIM C
2P	10.00	6.10	2.50
3P	12.50	8.60	5.00
4P	15.00	11.10	7.50
5P	17.50	13.60	10.00
6P	20.00	16.10	12.50



SPECIFICATION

- Contact resistance:  $\leq 20\Omega$
- Insulation resistance:  $\geq 10000\Omega$
- Rated voltage: 250 V AC DC
- Rated current: 3.0 A AC DC
- Withstand Voltage: 1000V AC/minute
- Temperature Range :  $-25^{\circ}\text{C}\sim+85^{\circ}\text{C}$



C	插片	黄铜H65	镀镍锡	
B	插针	黄铜H65	镀镍锡	
A	基座	LCP	本色	
序号	品名	材质	电镀/颜色	备注

深圳市虹成电子有限公司

RECOMMENDER P.C.B.LAYOUT TOP VIEW  
(COMPONENT SIDE TOLERANCE $\pm 0.1$ )

UNLESS OTHERWISE, GENERAL TOLERANCE: X.xxx $\pm 0.10$ X.xx $\pm 0.20$ X.x $\pm 0.30$  ANGULAR: X.xx° $\pm 1^{\circ}$ X.x° $\pm 3^{\circ}$ X.° $\pm 5^{\circ}$	NAME: 2.5针座立贴		P/N: HCZZ0514-7	
	THIRD ANGLE PROJECTION		UNIT: MM	SCALE: 1:1
DRAWN:		CHECKED:	SHEET: 1/1	REV. A1
			APPROVED:	