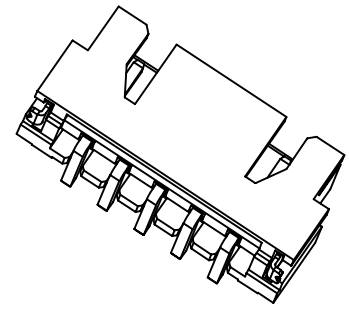


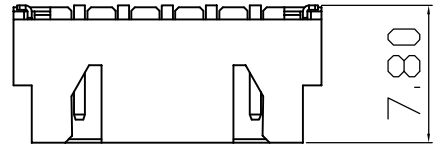
RoHS 2.0

REV.	ECN NO.	DESCRIPTION	DATE	DESIGN
A1.	/.	新版发行	2022.12.02	LZR

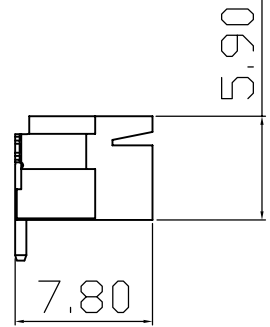


3D

PIN	DIM A	DIM B	DIM C
2P	10.00	6.10	2.50
3P	12.50	8.60	5.00
4P	15.00	11.10	7.50
5P	17.50	13.60	10.00
6P	20.00	16.10	12.50

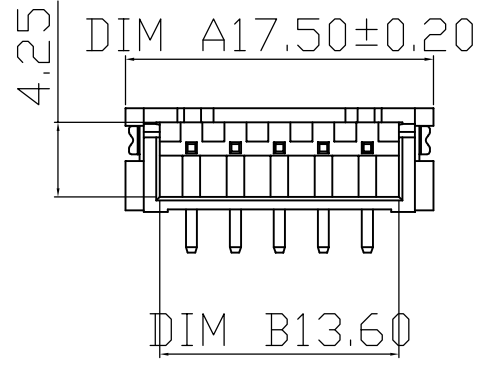


7.80



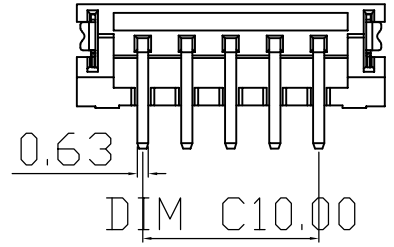
5.90

7.80



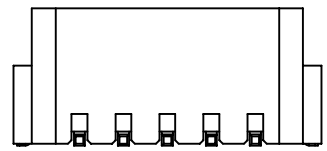
DIM A 17.50±0.20

DIM B 13.60



0.63

DIM C 10.00



DIM C 10.00

5.00

2.30

1.20

3.00

1.60

SPECIFICATION

- Contact resistance: $\leq 20\Omega$
- Insulation resistance: $\geq 10000\Omega$
- Rated voltage: 250 V AC DC
- Rated current: 3.0 A AC DC
- Withstand Voltage: 1000V AC/minute
- Temperature Range : $-25^{\circ}\text{C} \sim +85^{\circ}\text{C}$

C	插片	黄铜H65	镀镍锡	
B	插针	黄铜H65	镀镍锡	
A	基座	LCP	本色	
序号	品名	材质	电镀/颜色	备注

深圳市虹成电子有限公司

UNLESS OTHERWISE, GENERAL TOLERANCE: X.xxx ±0.10 X.xx ±0.20 X.x ±0.30	NAME: 2.5针座5PIN 立贴		P/N: HCZZ0514-5	
	THIRD ANGLE PROJECTION		DWG NO:	
ANGULAR: X.xx° ±1° X.x° ±3° X.° ±5°	DRAWN:	CHECKED:	APPROVED:	
	UNIT: MM	SCALE: 1:1	SIZE: A4	SHEET: 1/1
			REV. A1	

RECOMMENDER P.C.B.LAYOUT TOP VIEW
(COMPONENT SIDE TOLERANCE±0.1)