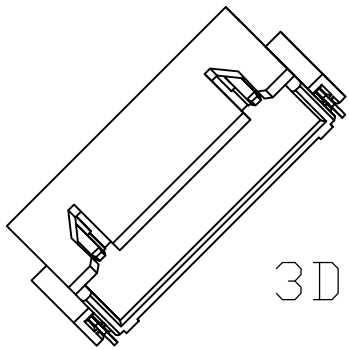
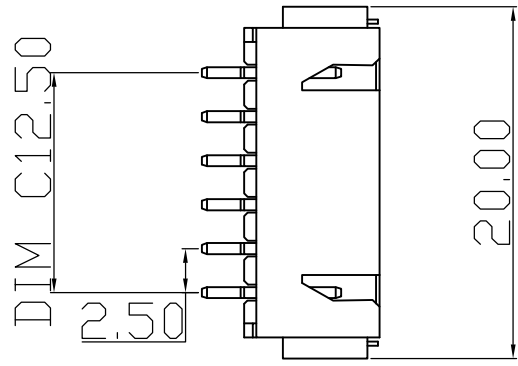
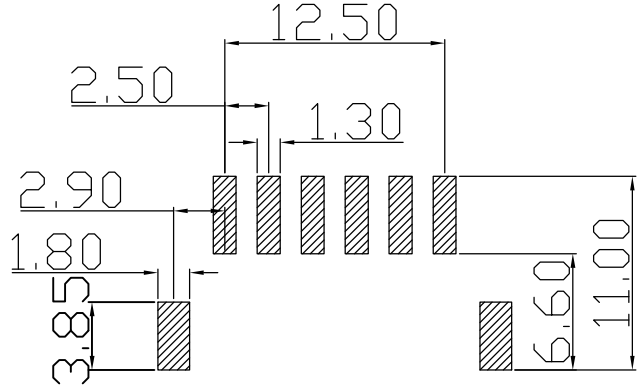
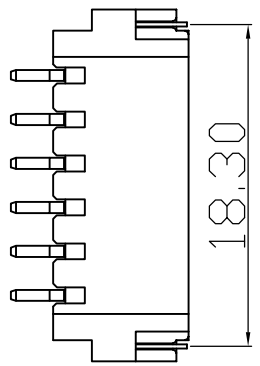
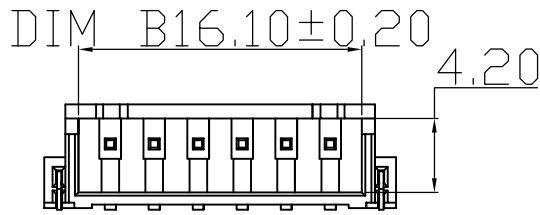
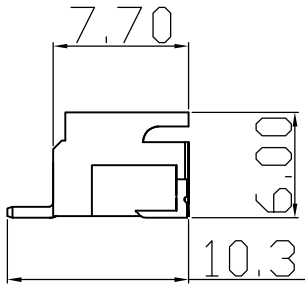
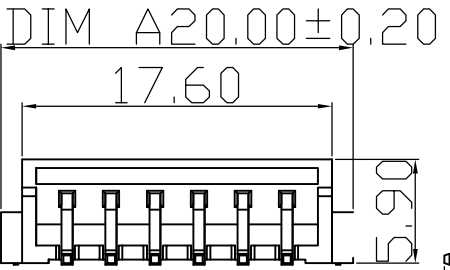


RoHS 2.0

| REV. | ECN NO. | DESCRIPTION | DATE | DESIGN |
|------|---------|-------------|------------|--------|
| A1. | /. | 新版发行 | 2022.12.02 | LZR |



| PIN | DIM A | DIM B | DIM C |
|-----|-------|-------|-------|
| 2P | 10.00 | 6.10 | 2.50 |
| 3P | 12.50 | 8.60 | 5.00 |
| 4P | 15.00 | 11.10 | 7.50 |
| 5P | 17.50 | 13.60 | 10.00 |
| 6P | 20.00 | 16.10 | 12.50 |



RECOMMENDER P.C.B.LAYOUT TOP VIEW
(COMPONENT SIDE TOLERANCE±0.1)

SPECIFICATION

- Contact resistance: $\leq 20\Omega$
- Insulation resistance: $\geq 10000\Omega$
- Rated voltage: 250 V AC DC
- Rated current: 3.0 A AC DC
- Withstand Voltage: 1000V AC/minute
- Temperature Range : $-25^{\circ}\text{C}\sim+85^{\circ}\text{C}$

| | | | | |
|----|----|-------|-------|----|
| C | 插片 | 黄铜H65 | 镀镍锡 | |
| B | 插针 | 黄铜H65 | 镀镍锡 | |
| A | 基座 | LCP | 本色 | |
| 序号 | 品名 | 材质 | 电镀/颜色 | 备注 |

深圳市虹成电子有限公司

| | | | | | | |
|---|------------------------|-------------|------------------|-------------|---------------|------------|
| UNLESS OTHERWISE, GENERAL TOLERANCE: X.xxx ±0.10 X.xx ±0.20 X.x ±0.30 | NAME: 2.5 针座卧贴 | | P/N: HCZZ0021-10 | | | |
| | | | DWG NO: | | | |
| ANGULAR: X.xx° ±1° X.x° ±3° X° ±5° | THIRD ANGLE PROJECTION | UNIT: MM | SCALE 1:1 | SIZE: A4 | SHEET: 1/1 | REV. A1 |
| | DRAWN: | CHECKED: | | APPROVED: | | |