

| 版次 (Ed) | 变更摘要 (Change The Content)  | 日期 (Date)  |
|---------|----------------------------|------------|
| 0       | 新产品发行 (New Product Launch) | 2017/09/06 |

| 序号 (NO.) | 品名 (Name)   | 材质 (Material)                            |
|----------|---|--|
| ①        | 2.00 F型立式2代WTB胶芯<br>2.00 Pitch S/T Wire To<br>Board Housing (Hrs. 3)      | LCP<br>本色<br>Natural                     |
| ②        | 2.00 F型端子2代WTB端子<br>2.00 Pitch S/T Wire To<br>Board Terminal (Hrs. 2)     | 铜合金/表面镀锡<br>Copper Alloy/<br>Tin Plating |
| ③        | 2.00 F型立式2代WTB焊片<br>2.00 Pitch S/T Wire To<br>Board Fitting Nail (Hrs. 3) | 铜合金/表面镀锡<br>Copper Alloy/<br>Tin Plating |
| ④        | 2.00 F型立式2代WTB胶盖<br>2.00 Pitch S/T Wire To<br>Board Cover (Hrs. 3)        | LCP<br>本色<br>Natural                     |

技术指标 (Technical Index):

1. 塑件表面应光洁、无毛边、无明显收缩、缺陷、裂纹等现象。  
(The surface of the plastic parts should be smooth, no rough edges, no obvious shrinkage, defects, cracks and other phenomena)

2. 温度范围 (Temperature range): -40°C~85°C.

3. 额定电压 (Rated voltage): 200V, AC.

4. 接触电阻 (Contact resistance):

≤55mΩ (Initial) per contact, ≤25mΩ Change allowed.

5. 绝缘电阻 (Insulation resistance): ≥1000MΩ.

6. 产品料号 (Product material No.):

WT200FL—\*\* \*—2\*

N0 0F CKT (产品PIN数)

Plating (电镀方式)

1: 端子全金  
(Terminal g/F OVER ALL)

4: 端子全亮锡  
(Terminal all bright tin)

|    |                                    |
|----|------------------------------------|
| 20 | 胶芯有LOGO/WD/housing<br>with LOGO/WD |
| 2W | 胶芯无LOGO(housing<br>without LOGO)   |

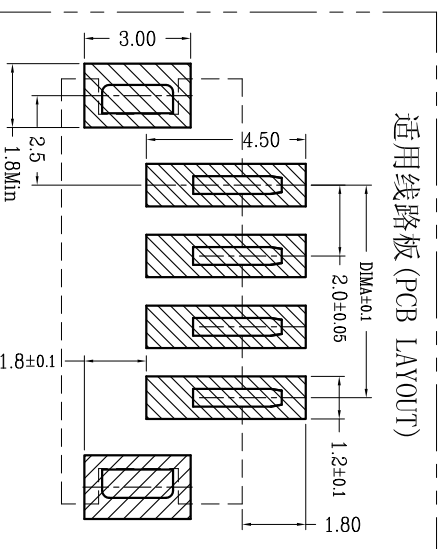
Packing (包装方式)

T: TUBE管装

R: TAPE & REEL 卷装

C: TAPE & REEL WITH  
COVER加吸盖卷装

适用线路板 (PCB LAYOUT)



≈4Pin(8.9)  
>4Pin(8.7)

WITH COVER

深圳市虹成电子有限公司

品名 (TITLE) 2.00 Pitch F型立式2代WTB

2.00 PITCH H8.3 S/T WIRE TO BOARD SMT CONN.

料号 (DWGNO) HCZZ0398-9

比例 (SCALE) 1:1

单位 (UNITS) mm

张数 (SHEET) 1

尺寸 (SIZE) A4



一般公差 (TOLERANCE)  
X ±.50 XX ±.10  
X ±.20 XXX ±.05  
ANGLES ±1°

2 PIN 结构样式  
(Structural style)

3 PIN 结构样式  
(Structural style)

N-0.5±0.03 (SQ)

2.00±0.15(PITCH)

6.1

③

④

5

4

3

2

1

5

4

3

2

1