

版次 (Ed)	变更摘要 (Change The Content)	日期 (Date)
0	新产品发行 (New Product Launch)	2017/09/06

序号 (NO.)	品名 (Name)	材质 (Material)
①	2.00 F型立式2代WTB胶芯 2.00 Pitch S/T Wire To Board Housing (Hrs.3)	LCP 本色 Natural
②	2.00 F型端子2代WTB端子 2.00 Pitch S/T Wire To Board Terminal (Hrs.2)	铜合金/表面镀锡 Copper Alloy/ Tin Plating
③	2.00 F型立式2代WTB焊片 2.00 Pitch S/T Wire To Board Fitting Nail (Hrs.3)	铜合金/表面镀锡 Copper Alloy/ Tin Plating
④	2.00 F型立式2代WTB胶盖 2.00 Pitch S/T Wire To Board Cover (Hrs.3)	LCP 本色 Natural

技术指标 (Technical Index):

1. 塑件表面应光洁、无毛边、无明显收缩、缺陷、裂纹等现象。
(The surface of the plastic parts should be smooth, no rough edges, no obvious shrinkage, defects, cracks and other phenomena)

2. 温度范围 (Temperature range): -40°C~85°C.

3. 额定电压 (Rated voltage): 200V, AC.

4. 接触电阻 (Contact resistance):

≤55mΩ (Initial) per contact, ≤25mΩ Change allowed.

5. 绝缘电阻 (Insulation resistance): ≥1000MΩ.

6. 产品料号 (Product material No.):

WT200FL—** *—2*

N0 0F CKT (产品PIN数)

Plating (电镀方式)

1: 端子全金
(Terminal G/F OVER ALL)

4: 端子全亮锡
(Terminal all bright tin)

Packing (包装方式)

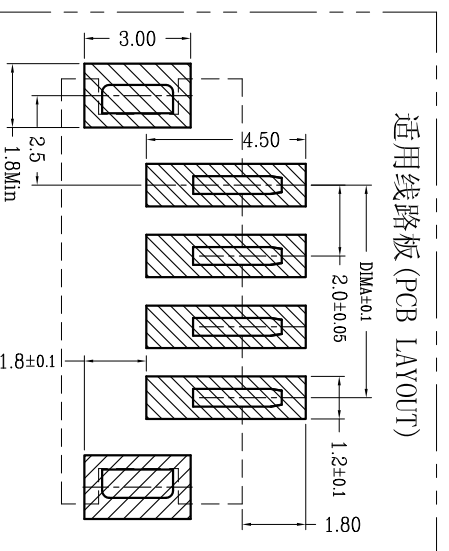
T: TUBE管装

R: TAPE & REEL 卷装

C: TAPE & REEL WITH COVER加吸盖卷装

20	胶芯有LOGO/WD/Housing with LOGO/WD
2W	胶芯无LOGO/Housing without LOGO

适用线路板 (PCB LAYOUT)



≈4Pin(8.9)
>4Pin(8.7)

WITH COVER

深圳市虹成电子有限公司

品名 (TITLE) 2.00 Pitch F型立式2代WTB

2.00 PITCH H8.3 S/T WIRE TO BOARD SMT CONN.

料号 (DWGNO) HCZZ0398-16

比例 (SCALE) 1:1

单位 (UNITS) mm

张数 (SHEET) 1 Of 1

审核 (APPD) 黄志明



一般公差 (TOLERANCE)
X ±.50 XX ±.10
X ±.20 XXX ±.05
ANGLES ±1°

2 PIN 结构样式
(Structural style)

3 PIN 结构样式
(Structural style)

N-0.5±0.03 (SQ)

2.00±0.15(PITCH)

6.1

③

④

5

4

3

2

1

A

B

C

D

E

F

5

4

3

2

1