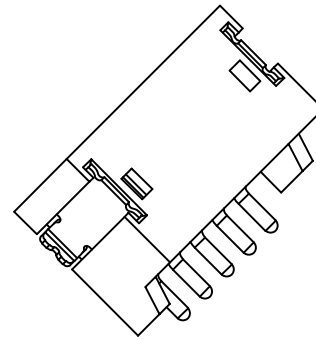


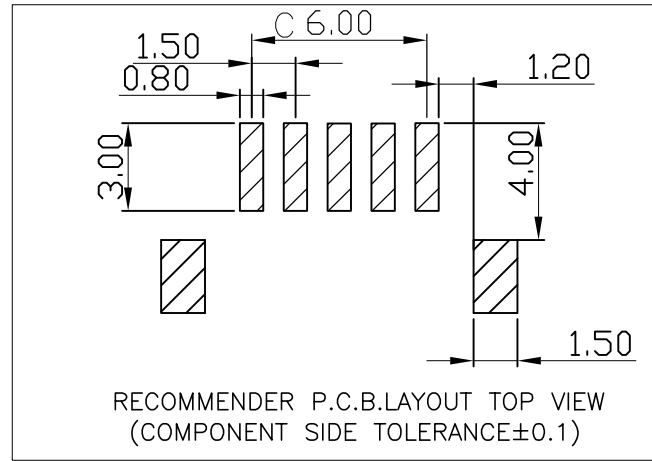
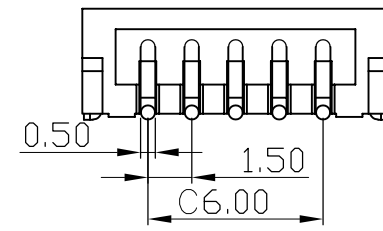
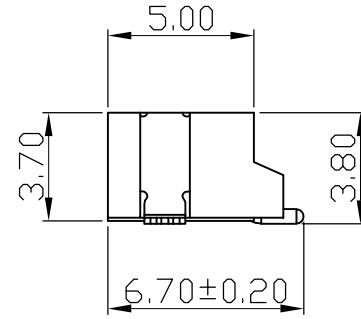
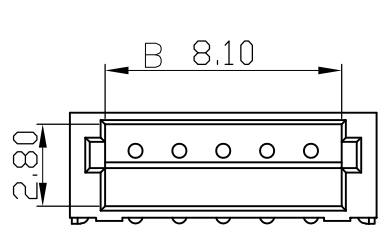
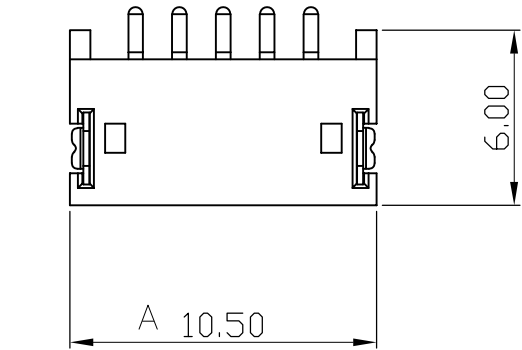
RoHS 2.0

REV.	ECN	NO.	DESCRIPTION	DATE	DESIGN
A0				23.04.11	LI

PIN数	A±0.1	B±0.1	C±0.1
2P	6.00	3.60	1.50
3P	7.50	5.10	3.00
4P	9.00	6.60	4.50
5P	10.50	8.10	6.00
6P	12.00	9.60	7.50
7P	13.50	11.10	9.00
8P	15.00	12.60	10.50
9P	16.50	14.10	12.00
10P	18.00	15.60	13.50



3D VIEW



Specifications:

- 1.Rated Voltage : 100V AC/DC
- 2.Rated Current : 1A AC,DC
- 3.Withstand Voltage : 500V AC/minute
- 4.Contact Resistance : 50mΩ(MAX.)
- 5.Insulation Resistance : 500MΩ(MIN.)
- 6.Storage Temperature Range: -40°C~+85°C;
- 7.Operation Temperature Range: -25°C~+70°C;

序号	品名	材质	电镀/颜色	备注
C	插片	黄铜	镀镍锡	
B	插针	黄铜	镀镍锡	
A	底座	LCP	本色	

深圳市虹成电子有限公司

UNLESS OTHERWISE, GENERAL TOLERANCE: X. xxx ±0.10 X. xx ±0.20 X. x ±0.30	NAME: 1.5 卧贴7PIN针座	P/N: HCZZ0323-7
	DWG NO:	
THIRD ANGLE PROJECTION 	UNIT: MM	SCALE: 1:1
ANGULAR: X. xx° ±1° X. x° ±3° X. ° ±5°	SIZE: A4	SHEET: 1/1
DRAWN:	CHECKED:	APPROVED: