

To:

部品规格书

APPROVED FOR SHEET

系 列 Series : CD288H 105°C 3000H

规 格 specifications: 见样品明细表

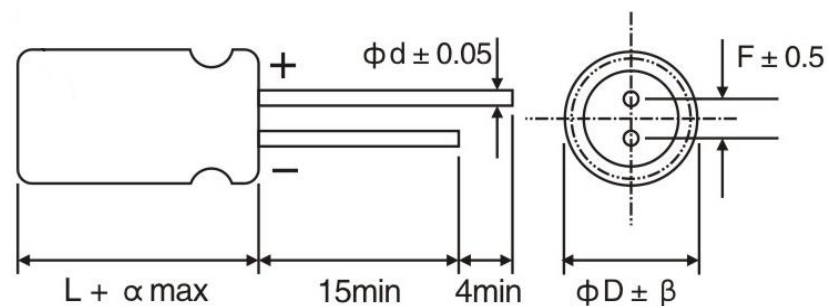
承制方 Manufacturer	拟 制 Prepared	校 对 Checked	
	<u>许文进</u>	<u>彭丽华</u>	
使用方 Customer	审 核 Checked	批 准 Approved	客 户 确 认 Customer Response

2023-05-25

样品明细表 Sample sheet

序号 N O	联晟物料号 LIAN SHENG (P/N)	系列 Series	规格/尺寸 Specification Size	容量偏差 Capacitance tolerance (%)	样品数量 (PCS) Amount	加工方式 Processing method
1	R0288H1E470D011M00	CD288H	25V47uF/5*11	-20~+20	20	长脚
2	R0288H1H220D011M00	CD288H	50V22uF/5*11	-20~+20	20	长脚
3	R0288H1H4R7D011M00	CD288H	50V4.7uF/5*11	-20~+20	20	长脚
4	R0288H1V470D011M00	CD288H	35V47uF/5*11	-20~+20	20	长脚
5	R0288H1C101D011M00	CD288H	16V100uF/5*11	-20~+20	20	长脚
6	R0288H1E101D011M00	CD288H	25V100uF/5*11	-20~+20	20	长脚
7	R0288H1A101D011M00	CD288H	10V100uF/5*11	-20~+20	20	长脚
8	R0288H1E221E9R0M00	CD288H	25V220uF/6.3*9	-20~+20	20	长脚
9	R0288H1C221A011M00	CD288H	16V220uF/6*11	-20~+20	20	长脚
10	R0288H1L101A011M00	CD288H	35V100uF/6*11	-20~+20	20	长脚
11	R0288H1H470A011M00	CD288H	50V47uF/6*11	-20~+20	20	长脚
12	R0288H1C471F012M00	CD288H	16V470uF/8*12	-20~+20	20	长脚
13	R0288H1E471F012M00	CD288H	25V470uF/8*12	-20~+20	20	长脚
14	R0288H1H101F012M00	CD288H	50V100uF/8*12	-20~+20	20	长脚
15	R0288H1C102F016M00	CD288H	16V1000uF/8*16	-20~+20	20	长脚
16	R0288H1E681F016M00	CD288H	25V680uF/8*16	-20~+20	20	长脚
17	R0288H1E471G012M00	CD288H	25V470uF/10*12	-20~+20	20	长脚
18	R0288H1E681G016M00	CD288H	25V680uF/10*16	-20~+20	20	长脚
19	R0288H1E102G017M00	CD288H	25V1000uF/10*17	-20~+20	20	长脚
20	R0288H1V471G017M00	CD288H	35V470uF/10*17	-20~+20	20	长脚
21	R0288H1C152G020M00	CD288H	16V1500uF/10*20	-20~+20	20	长脚
22	R0288H1H471G020M00	CD288H	50V470uF/10*20	-20~+20	20	长脚
23	R0288H1V102G020M00	CD288H	35V1000uF/10*20	-20~+20	20	长脚
24	R0288H1E222W020M00	CD288H	25V2200uF/12.5*20	-20~+20	20	长脚
25	R0288H1H102W025M00	CD288H	50V1000uF/12.5*25	-20~+20	20	长脚
26	R0288H1C472L025M00	CD288H	16V4700uF/16*25	-20~+20	20	长脚
27	R0288H2G4R7F012M00	CD288H	400V4.7uF/8*12	-20~+20	20	长脚
28	R0288H2W100G017M00	CD288H	450V10uF/10*17	-20~+20	20	长脚
29	R0288H2G220W020M00	CD288H	400V22uF/12.5*20	-20~+20	20	长脚
30	R0288H2G330W020M00	CD288H	400V33uF/12.5*20	-20~+20	20	长脚
31	R0288H2G470W020M00	CD288H	400V47uF/12.5*20	-20~+20	20	长脚
32	R0288H2G470L020M00	CD288H	400V47uF/16*20	-20~+20	20	长脚
33	R0288H2G560W025M00	CD288H	400V56uF/12.5*25	-20~+20	20	长脚
34	R0288H2G470L025M00	CD288H	400V47uF/16*25	-20~+20	20	长脚
35	R0288H2G680L025M00	CD288H	400V68uF/16*25	-20~+20	20	长脚
36	R0288H2G820L025M00	CD288H	400V82uF/16*25	-20~+20	20	长脚
37	R0288H2G101L030M00	CD288H	400V100uF/16*30	-20~+20	20	长脚
38	R0288H2G101M025M00	CD288H	400V100uF/18*25	-20~+20	20	长脚
39	R0288H2G121M030M00	CD288H	400V120uF/18*30	-20~+20	20	长脚
40	R0288H2G151M032M00	CD288H	400V150uF/18*32	-20~+20	20	长脚

■ 部品外形及尺寸 Appearance and size of parts



D	5	6.3	8	10	12.5	16	18	22	25
L	11	9/11/12	12/16	12/16/17	20/25	20/25/30	25/30/32	25	30
d	0.5			0.6		0.8			
F	2.0	2.5	3.5	5.0		7.5		10	12.8
α	± 2.0								
β	0~+0.5				0~+1.0				

技术要求 Technical Requirements

序列	部品描述 Part Description		技术标准									
	联晟物料号 LIAN SHENG (P/N)	系列 Series	额定电压 Rated voltage (V)	容量 capacity (uF)	损耗值 Dissipation Factor Max (%)	漏电流 Leakage Current (uA) 2min 充电时间	尺寸 Case size (mm)	容量组别 Capacitance Tolerance (%)	浪涌电压 Surge voltage (SV)	温度范围 Category Temperature Range (°C)	最大纹波电流 Ripple current 105°C (mA)	耐久性 Load life (105°C)
1	R0288H1E470D011M00	CD288H	25	47	14	11.75	5*11	-20~+20	32	-40~+105	100KHz --130	3000H
2	R0288H1H220D011M00	CD288H	50	22	10	11.0	5*11	-20~+20	63	-40~+105	100KHz --125	3000H
3	R0288H1H4R7D011M00	CD288H	50	4.7	10	3.0	5*11	-20~+20	63	-40~+105	100KHz --82	3000H
4	R0288H1V470D011M00	CD288H	35	47	12	16.45	5*11	-20~+20	44	-40~+105	100KHz --195	3000H
5	R0288H1C101D011M00	CD288H	16	100	16	16.0	5*11	-20~+20	20	-40~+105	100KHz --195	3000H
6	R0288H1E101D011M00	CD288H	25	100	14	25.0	5*11	-20~+20	32	-40~+105	100KHz --195	3000H
7	R0288H1A101D011M00	CD288H	10	100	8	10.0	5*11	-20~+20	125	-40~+105	100KHz --42	3000H
8	R0288H1E221E9ROM00	CD288H	25	220	14	55.0	6*9	-20~+20	32	-40~+105	100KHz --212	3000H
9	R0288H1C221A011M00	CD288H	16	220	16	35.2	6*11	-20~+20	20	-40~+105	100KHz --257	3000H
10	R0288H1L101A011M00	CD288H	35	100	12	35.0	6*11	-20~+20	44	-40~+105	100KHz --279	3000H
11	R0288H1H470A011M00	CD288H	50	47	10	23.5	6*11	-20~+20	63	-40~+105	100KHz --245	3000H
12	R0288H1C471F012M00	CD288H	16	470	16	75.2	8*12	-20~+20	20	-40~+105	100KHz --438	3000H
13	R0288H1E471F012M00	CD288H	25	470	14	117.5	8*12	-20~+20	32	-40~+105	100KHz --476	3000H
14	R0288H1H101F012M00	CD288H	50	100	10	50.0	8*12	-20~+20	20	-40~+105	100KHz --385	3000H
15	R0288H1C102F016M00	CD288H	16	1000	16	160.0	8*16	-20~+20	20	-40~+105	100KHz --660	3000H
16	R0288H1E681F016M00	CD288H	25	680	14	170.0	8*16	-20~+20	32	-40~+105	100KHz --593	3000H

技术要求 Technical Requirements

序列	部品描述 Part Description		技术标准									
	客户物料编码 Customer (P/N)	系列 Series	额定电压 Rated voltage (V)	容量 capacity (uF)	损耗值 Dissipation Factor Max (%)	漏电流 Leakage Current (uA) 2min 充电时间	尺寸 Case size (mm)	容量组别 Capacitance Tolerance (%)	浪涌电压 Surge voltage (SV)	温度范围 Category Temperature Range (°C)	最大纹波电流 Ripple current 105°C 100KHz (mA)	耐久性 Load life (105°C)
17	R0288H1E471G012M00	CD288H	25	470	14	117.5	10*12	-20~+20	32	-40~+105	100KHz --532	3000H
18	R0288H1E681G016M00	CD288H	25	680	14	170.0	10*16	-20~+20	32	-40~+105	100KHz --664	3000H
19	R0288H1E102G017M00	CD288H	25	1000	14	250.0	10*17	-20~+20	32	-40~+105	100KHz --840	3000H
20	R0288H1V471G017M00	CD288H	35	470	12	164.5	10*17	-20~+20	44	-40~+105	100KHz --737	3000H
21	R0288H1C152G020M00	CD288H	16	1500	16	240.0	10*20	-20~+20	20	-40~+105	100KHz --894	3000H
22	R0288H1H471G020M00	CD288H	50	470	10	235.0	10*20	-20~+20	63	-40~+105	100KHz --800	3000H
23	R0288H1V102G020M00	CD288H	35	1000	12	350.0	10*20	-20~+20	44	-40~+105	100KHz --1040	3000H
24	R0288H1E222W020M00	CD288H	25	2200	16	550.0	12.5*20	-20~+20	32	-40~+105	100KHz --1375	3000H
25	R0288H1H102W025M00	CD288H	50	1000	10	500.0	12.5*20	-20~+20	63	-40~+105	100KHz --1321	3000H
26	R0288H1C472L025M00	CD288H	16	4700	22	752.0	16*25	-20~+20	20	-40~+105	100KHz --1924	3000H
27	R0288H2G4R7F012M00	CD288H	400	4.7	20	47.6	8*12	-20~+20	450	-40~+105	120Hz --49	3000H
28	R0288H2W100G017M00	CD288H	450	10	20	145.0	10*17	-20~+20	500	-40~+105	120Hz --103	3000H
29	R0288H2G220W020M00	CD288H	400	22	20	186.0	12.5*20	-20~+20	450	-40~+105	120Hz --187	3000H
30	R0288H2G330W020M00	CD288H	400	33	20	274.0	12.5*20	-20~+20	450	-40~+105	120Hz --221	3000H
31	R0288H2G470W020M00	CD288H	400	47	20	386.0	12.5*20	-20~+20	450	-40~+105	120Hz --292	3000H
32	R0288H2G470L020M00	CD288H	400	47	20	386.0	16*20	-20~+20	450	-40~+105	120Hz --330	3000H
33	R0288H2G560W025M00	CD288H	400	56	20	458.0	12.5*25	-20~+20	450	-40~+105	120Hz --356	3000H
34	R0288H2G470L025M00	CD288H	400	47	20	386.0	16*25	-20~+20	450	-40~+105	120Hz --370	3000H
35	R0288H2G680L025M00	CD288H	400	68	20	554.0	16*25	-20~+20	450	-40~+105	120Hz --438	3000H
36	R0288H2G820L025M00	CD288H	400	82	20	666.0	16*25	-20~+20	450	-40~+105	120Hz --430	3000H
37	R0288H2G101L030M00	CD288H	400	100	20	810.0	16*30	-20~+20	450	-40~+105	120Hz --506	3000H
38	R0288H2G101M025M00	CD288H	400	100	20	810.0	18*25	-20~+20	450	-40~+105	120Hz --490	3000H
39	R0288H2G121M030M00	CD288H	400	120	20	970.0	18*30	-20~+20	450	-40~+105	120Hz --588	3000H
40	R0288H2G151M032M00	CD288H	400	150	20	1210	18*32	-20~+20	450	-40~+105	120Hz --666	3000H

1. 适用范围 Adapt Range

本部品承认书适用于江西联晟电子股份有限公司铝电解电容器产品。质量标准按照 IEC-60384.特性要求。

This product specification applies to polar Aluminum electrolytic capacitor (foil type) used in electronic equipment. of JIANGXI LIANSHENG ELECTRONIC CO., LTD.

Designed capacitor's quality meets IEC60384.

ROHS 指令(2002/95/EC)已对应完毕。

Completely compliant with ROHS (2002/95/EC)。

2. 部品标识 Product Marking

电容器上应清楚地标出(Marking Details Capacitor shall be marked the following items):

- 1、标称电容量(Nominal capacitance): μF
- 2、额定电压(Rated voltage): **V**
- 3、引出端极性(阴极极性带)(Polarity): Cathode shall be marked with a black stripe and indicate "-" symbol on it.
- 4、系列代号(Series symbol): **CD288H**
- 5、制造厂商标(Trademark): **LSTL**
- 6、最高使用温度(Maximum operating temperature):**105°C**
- 7、年度标志 (Annual mark)


年度标志字母代号

年度	字母	年度	字母	年度	字母	年度	字母
2010	A	2015	F	2020	M	2025	T
2011	B	2016	H	2021	N	2026	U
2012	C	2017	J	2022	P	2027	V
2013	D	2018	K	2023	R	2028	W
2014	E	2019	L	2024	S	2029	X


备注：年度字母代号每 20 年为一个循环使用期，如 2016 年度字母代号为 H,以此类推。

8、标示图样 (Marking Sample)

8.1 规格版


商 标 Manufacturer: trademark 


额定电压/标称电容量 Rated voltage/ Nominal capacitance  25V47 μF

负极标志 Cathode indicate 

8.2 日期版

产品型号 Products series  CD288H

气候类别 Maximum operating temperature  40/105/10

年度代码 Production annual code  R


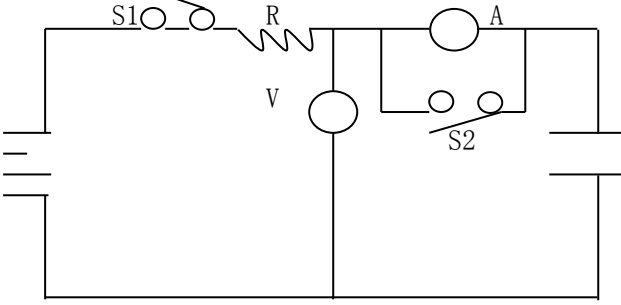
8.3 套管颜色：黑色白字

3、特性表 (Characteristics)

105℃, 3000h。 Load life: 105℃, 3000h
符合 RoHS 标准。 Complied to the RoHS directive.

项 目 Items	特 性 Characteristics																													
工作温度范围 Operating temperature range	-40~+105℃																													
额定工作电压范围 Rated working voltage range	6.3V~500V																													
静电容量允许偏差 Capacitance tolerance	-20%~+20% (M) (20℃,120Hz)																													
损耗角正切值(20℃, 120Hz) Dissipation Factor (MAX)	U _R (V)	6.3	10	16	25	35	50	63	100	160	200	250	350	400	450	500														
	tg δ	0.24	0.20	0.16	0.14	0.12	0.10	0.08	0.08	0.15	0.15	0.15	0.20	0.20	0.20	0.20														
阻抗比 (120Hz) Impedance ratio (MAX)	<table border="1" style="margin-left: auto; margin-right: auto;"> <thead> <tr> <th>额定电压 Rated Voltage (vdc)</th> <th>6.3to10</th> <th>16</th> <th>25to100</th> <th>160to250</th> <th>350to450</th> <th>500</th> </tr> </thead> <tbody> <tr> <td>Z(-40℃)/ Z(+20℃)</td> <td>7</td> <td>5</td> <td>8</td> <td>8</td> <td>8</td> <td>10</td> </tr> </tbody> </table>																额定电压 Rated Voltage (vdc)	6.3to10	16	25to100	160to250	350to450	500	Z(-40℃)/ Z(+20℃)	7	5	8	8	8	10
额定电压 Rated Voltage (vdc)	6.3to10	16	25to100	160to250	350to450	500																								
Z(-40℃)/ Z(+20℃)	7	5	8	8	8	10																								
漏电流 Leakage current (MAX)	6.3to100Vdc: I≤0.01CV or 3uA whichever is greater								160to400Vdc: I≤0.02CV+ 10μA 450to500Vdc: I≤0.03CV + 10μA																					
	在 20℃时 2 分钟读数 (at 20℃ after 2 minutes)																													
	I=漏电流 (μA) Leakage Current (μA)				V=额定电压 (V) Rated voltage(V)				C=静电容量 (μF) Nominal capacitance (μF)																					
耐久性 Load life	105℃施加带纹波电流的额定电压 3000h, 恢复 24h 后, 常温 (20℃) 测试, 其电性能符合 The following specifications shall be satisfied when the capacitors are restored to 20℃ after subjected to DC voltage with the rated ripple current is applied for 3000 hours at 105℃.																													
	漏电流 Leakage current		≤初始规定值 ≤The initial specified value																											
	损耗角正切值 D.F. tg δ		≤初始规定值的 200% ≤200% of the initial specified value																											
	静电容量变化率: capacitance change		≤初始值±20%以内 ≤±20%of the initial value																											
高温贮存 Shelf life	105℃搁置 1000h, 试验后, 在常温 20℃下, 按 JIS C 5101-4 第 4.1 进行预处理后, 测试, 其电性能符合: The following specifications shall be satisfied when the capacitors performing voltage treatment based on JIS C 5101-4 clause 4.1 at 20℃ after exposing them for 1000hours at 105℃ without voltage applied.																													
	漏电流 Leakage current		≤初始规定值的 200% ≤200% of the initial specified value																											
	损耗角正切值 D.F. tg δ		≤初始规定值的 200% ≤200% of the initial specified value																											
	静电容量变化率: capacitance change		≤初始值±20%以内 ≤±20%of the initial value																											

4. 电气特性 electrical characteristics:

NO.	ITEM 项目	TEST METHOD 测试方法	SPECIFICATION 规格																		
4.1	Rated voltage 额定电压		Voltages range, capacitance range, see specification of this series 电压, 电容, 范围请看该系列之规格说明																		
4.2	Capacitance 静电电容	1. Measuring frequency: $120\text{HZ} \pm 12\text{HZ}$ 测定频率																			
4.3	Dissipation Factor 散逸因素 (损失角)	2. Measuring voltage: $\leq 0.5V_{\text{rms}} + 0.5\text{VDC} \sim 2.0\text{VDC}$ 测定电压 3. Measuring circuit: 																			
4.4	Leakage Current (泄漏电流)	<p>Dc leakage current shall be measured after 1 ~ 2 minutes application of the Dc rated working voltage through the 1000Ω 的电阻施加直流工作电压 1~2 分钟后测定直流泄漏电流</p>  <p>R: 1000Ω S1: Switch 开关 A: Dc current 直流电流计 S2: switch for protection of current meter 直流电流计的保护开关 V: DC Voltage meter 直流电压计 Cx: testing capacitor 测试电容</p>	Dissipation factor, leakage current, see specification of this series. 损失角、泄漏电流前看该系列之规格说明。																		
4.5	Temperature characteristics 温度特性	<table border="1"> <thead> <tr> <th>STEP TIME</th> <th>TEMPERATURE</th> <th>STORAGE</th> </tr> <tr> <th>步骤</th> <th>温度</th> <th>放置时间</th> </tr> </thead> <tbody> <tr> <td>1</td> <td>$20^\circ\text{C} \pm 2^\circ\text{C}$</td> <td>30minutes</td> </tr> <tr> <td>2</td> <td>$10^\circ\text{C} \pm 3^\circ\text{C}$、$-25^\circ\text{C} \pm 3^\circ\text{C}$</td> <td>2hours</td> </tr> <tr> <td>3</td> <td>$20^\circ\text{C} \pm 2^\circ\text{C}$</td> <td>15minutes</td> </tr> <tr> <td>4</td> <td>$105^\circ\text{C} \pm 2^\circ\text{C}$</td> <td>2hours</td> </tr> </tbody> </table> <p>Step1. Measure the capacitance and impedance 测定静电容量及阻抗 (Z, 20°C, $120\text{HZ} \pm 10\%$) Step2. Measure the impedance at thermal after 2hours 达到热平衡 2 小时后测定阻抗。 (Z, -40°C, -25°C, $120\text{HZ} \pm 10\%$) Step4. Measure the capacitance at thermal balance after 2 hours 达到热平衡 2 小时后测定静电容量。</p>	STEP TIME	TEMPERATURE	STORAGE	步骤	温度	放置时间	1	$20^\circ\text{C} \pm 2^\circ\text{C}$	30minutes	2	$10^\circ\text{C} \pm 3^\circ\text{C}$ 、 $-25^\circ\text{C} \pm 3^\circ\text{C}$	2hours	3	$20^\circ\text{C} \pm 2^\circ\text{C}$	15minutes	4	$105^\circ\text{C} \pm 2^\circ\text{C}$	2hours	<p>Step2. Low temperature Impedance stability Less than specified value 低温稳定阻抗比: 低于规定值</p> <p>Step4. Capacitance change: within $\pm 20\%$ of the initial measured value 静电容量变化: 最初测定值的 $\pm 20\%$ 以内 Dissipation Factor Less than specified value 损失角: 低于规定值</p>
STEP TIME	TEMPERATURE	STORAGE																			
步骤	温度	放置时间																			
1	$20^\circ\text{C} \pm 2^\circ\text{C}$	30minutes																			
2	$10^\circ\text{C} \pm 3^\circ\text{C}$ 、 $-25^\circ\text{C} \pm 3^\circ\text{C}$	2hours																			
3	$20^\circ\text{C} \pm 2^\circ\text{C}$	15minutes																			
4	$105^\circ\text{C} \pm 2^\circ\text{C}$	2hours																			

NO.	ITEM 项目	TEST METHOD 测试方法	SPECIFICATION 规格
4.6	Surge test 突破实验	<p>Rated surge voltage shall be applied (switch on) For 30±5 second and then shall be applied (switch off) discharge for 5±0.5 min at room Temperature. this cycle shall be repeated For 1000 cycles.ration of one cycle is 6±0.5 minutes</p> <p>在常温下施加（合上开关）额定涌浪电压 30±5 秒，然后停止施加（断开开关）涌浪电压并且放电 5±0.5 分钟，这个循环要重复 1000 次。以 6±0.5 分钟为一个循环周期。</p>	<p>Capacitance change : with±20% of the initial specified value 静电容量变化：最初测定值的±20% 以内。</p> <p>Dissipation factor: Less than 200% of zhe initial specified value. 损失角：低于最初规定值 200%。</p> <p>Leakage current: With initial specified value 泄漏电流：低于规定值</p>

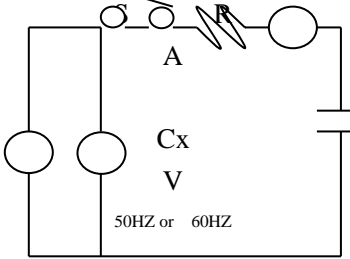
5. 机械特性 mechanical characteristics :

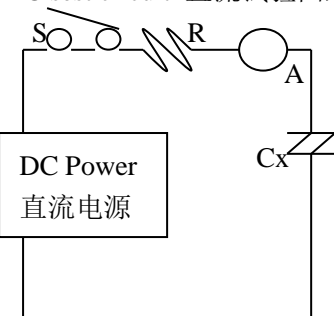
NO.	ITEM 项目	TEST METHOD 测试方法	SPECIFICATION 规格																										
5.1	Lead Strength 端子强度	<p>(A) Tensile strength 拉伸强度: Wire lead terminal 导针型:</p> <table border="1"> <tr> <td>d(mm)</td> <td>≤0.45</td> <td>0.5~0.8</td> <td>0.8~d≤1.25</td> </tr> <tr> <td>Load(kg)</td> <td>0.5</td> <td>1.0</td> <td>2.0</td> </tr> </table> <p>Snap-in terminal 牛角型:</p> <table border="1"> <tr> <td>d(mm)</td> <td>Snap-in terminal 牛角端子</td> </tr> <tr> <td>Load(kg)</td> <td>2.0</td> </tr> </table> <p>The capacitor shall withstand the constant tensile force specified between the body and cache lead for 10 seconde without damage either inechanical or electrical 电容器各端子要承受规定的荷重 10 秒，不能有电气或机械特性上的损伤</p> <p>(B) bending strength 弯曲强度: Wire lead terminal 导针型:</p> <table border="1"> <tr> <td>d(mm)</td> <td>≤0.45</td> <td>0.5~0.8</td> <td>0.8∠d≤1.25</td> </tr> <tr> <td>Load(kg)</td> <td>0.25</td> <td>0.5</td> <td>1.0</td> </tr> </table> <p>Snap-in terminal 牛角型:</p> <table border="1"> <tr> <td>Cross section area of terminal 端子截面积 (m m²)</td> <td>Force 拉伸力 (kg)</td> </tr> <tr> <td>0.5∠S≤1</td> <td>1.0</td> </tr> <tr> <td>S > 1</td> <td>2.5</td> </tr> </table> <p>With the capacitor in a vertical position apply the load specified axially to each lead.the capacitor shall be rotated slowly from the vertical to the horizontal position.back to the vertical position.the 90in zhe opposite direction and back the original position.preformance of capacitor shall not have change and leads shall be undamaged . 给在竖直位置的电容器每一端子以轴心方向施加规定荷重，慢慢将电容器由竖直位置转至水平位置，然后向相反方向弯曲 90 度，再回到原来的位置。电容器性能不能有变化及端子不能有损伤。</p>	d(mm)	≤0.45	0.5~0.8	0.8~d≤1.25	Load(kg)	0.5	1.0	2.0	d(mm)	Snap-in terminal 牛角端子	Load(kg)	2.0	d(mm)	≤0.45	0.5~0.8	0.8∠d≤1.25	Load(kg)	0.25	0.5	1.0	Cross section area of terminal 端子截面积 (m m²)	Force 拉伸力 (kg)	0.5∠S≤1	1.0	S > 1	2.5	<p>When the capacitance ismeasured,there shall be on intermittent contacts,oropen-or short-circuiting. 测定静电容量时，不能有接触不良、开路或短路</p> <p>There shall be on such mechanical damage as terminal damage as terminal damage etc. 不能有如端子受损之类的机械特性上的损伤</p>
d(mm)	≤0.45	0.5~0.8	0.8~d≤1.25																										
Load(kg)	0.5	1.0	2.0																										
d(mm)	Snap-in terminal 牛角端子																												
Load(kg)	2.0																												
d(mm)	≤0.45	0.5~0.8	0.8∠d≤1.25																										
Load(kg)	0.25	0.5	1.0																										
Cross section area of terminal 端子截面积 (m m²)	Force 拉伸力 (kg)																												
0.5∠S≤1	1.0																												
S > 1	2.5																												

NO.	ITEM 项目	TEST METHOD 测试方法	SPECIFICATION 规格
5.2	Vibration resistance 耐振性	<p>The frequency of the vibration shall vary uniformly within the range 10 to 55 HZ with the amplitude of 1.5mm, completing the cycle in the interval of one minute.</p> <p>The capacitor shall be securely mounted by its leads with hold the body of capacitor.</p> <p>The capacitor shall be vibrated in three mutually perpendicular directions for a period of 2 hours in each direction.</p> <p>振动频率要均匀，范围为 10HZ 到 55HZ，振幅为 1.5mm，在一分钟内完成该循环。</p> <p>电容器将端子牢固的固定。</p> <p>电容器会被向三个互相垂直的方向每个方向振动 2 小时。</p>	<p>Capacitance: no unsteady 静电容量，要稳定</p> <p>Appearance: no abnormal 外观，无异常</p> <p>Capacitance change: Within $\pm 5\%$ of initial measured value. 容量变化：最初测定值的 $\pm 5\%$ 之内。</p>
5.3	Solder ability 焊锡性	<p>The leads are dipped in the solder bath of snip at $260^{\circ}\text{C} \pm 5^{\circ}\text{C}$ for 2 ± 0.5 seconds. the dipping should be set at 1.5~2.0mm.</p>	<p>The solder alloy shall cover the 95% or more of dipped lead sari. 锡液要覆盖导针侵入表面积的 95% 以上。</p>

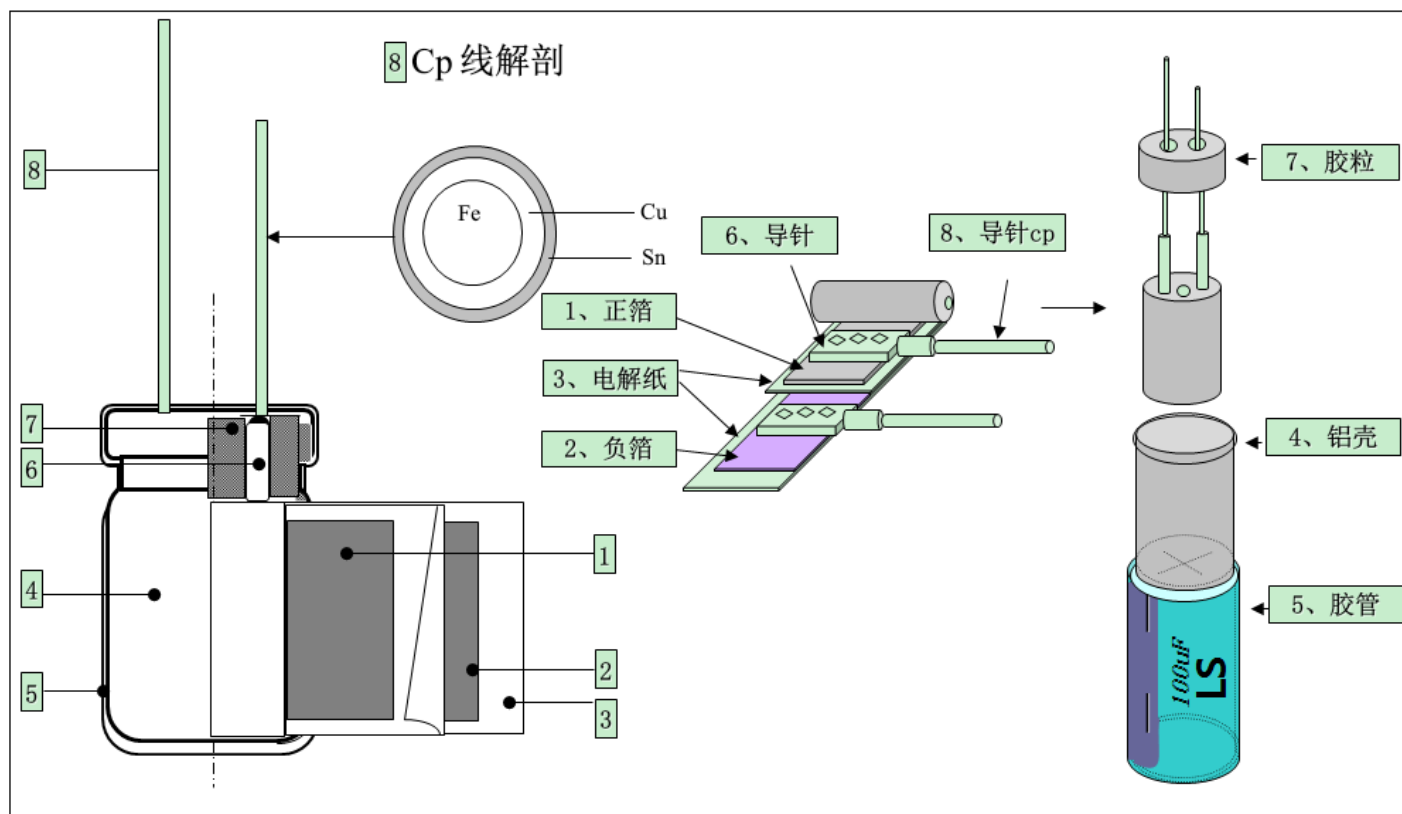
6. 信耐度 Reliability:

NO.	ITEM 项目	TEST METHOD 测试方法	SPECIFICATION 规格
6.1	Soldering heat resistance 焊锡耐热性	<p>The leads immerse in the solder bath snip at $270^{\circ}\text{C} \pm 5^{\circ}\text{C}$ for 10 ± 1 seconds until a distance of 1.5mm. from the case.</p> <p>导针在 $260^{\circ}\text{C} \pm 5^{\circ}\text{C}$ 的锡/铅焊液中浸没至离本体 1.5 mm 的地方 10 ± 1 秒钟。</p>	<p>No visible damage or leakage of electrolyte . 无明显的的损伤或电解液漏出。</p> <p>Capacitance change: Within $\pm 5\%$ of initial measured value. 容量变化：最初测定值的 $\pm 5\%$ 之内。</p> <p>Tan S: Less than specified value 损失角：低于规定值</p> <p>Leakage current: Less than specified value 泄漏电流：低于规定值</p>
6.2	Damp head (steady state) 耐湿性 (稳定状态)	<p>Subject the capacitor to $40^{\circ}\text{C} \pm 2^{\circ}$ and 90% to 95% relative humidity for 240 ± 8 hours.</p> <p>电容器在 $40^{\circ}\text{C} \pm 2^{\circ}$ 及相对湿度 90% 到 95% 的条件下经历 240 ± 8 小时。</p>	<p>Capacitance change Within $\pm 20\%$ of initial measured value. 容量变化：最初测定值的 $\pm 5\%$ 之内。</p> <p>Tan S: Less than specified value 损失角：低于规定值</p> <p>Leakage current: Less than specified value 泄漏电流：低于规定值</p>

NO.	ITEM 项目	TEST METHOD 测试方法	SPECIFICATION 规格														
6.3	Load life 高温负荷	After 3000hours continuous application of DC rated working voltage at 105°C, the measurements shall meet the following temperature. 在 105°C 环境当中连续施加直流定格电压 3000 小时后, 按以下条件测试: 测试在室温放置 24 小时后进行, 施加直流定格电压 2 分钟后进行。															
6.4	Shelf life 高温贮存	After steerage for 1000 hours at 105°C with voltage application, the measurements shall meet the following limits. measurements shall be performed after esposed for 24 hours at room temperature after application of DC rated voltage to the capacitor for 2 minutes. 在 105°C 环境当中不施加直流定格 1000 个小时后, 按以下条件测试: 测试室温放置 24 小时, 施加直流定格电压 2 分钟后进行。	Standard of judgment is according to this series requirement . 判定标准依该系列要求。														
6.5	Storage at low temperature 低温贮存	The capacitor shall be stored at temperature of -25°C ±3°C for 96±4 hours. During which time be subjected to standard atmospherics conditions for 16 hours of more. After which measurements shall be made. 电容器在 -25°C ±3°C 环境当中贮存 96 ±4 小时, 其间不施加电压。之后, 在标准大气压中放置 16 小时以上, 然后进行测试。	Capacitance change: Within ±20% of initial measured value. 容量变化: 最初测定值的 ±20% 之内。 Less than specified value 损失角: 低于规定值 Leakage current: Less than specified value 泄漏电流: 低于规定值 Appearance: no abnormal 外观, 无异常														
6.6	Pressure relief 防暴试验	AC test 试验: Applied voltage: AC voltage not exceeding 0.7 times of this rated direct voltage or 250V AC whichever is the lower. 施加电压: 不超过定格电压 0.7 倍的交流电压或低于交流电压 250V 的任意电压。 Frequency 频率: 50 HZ or 60 HZ Series resistor: refer to the table below 串联阻抗: 参照下表 <table border="1" data-bbox="427 1720 1070 2022"> <thead> <tr> <th>Capacitance(C) 容量</th> <th>Series resistor</th> </tr> </thead> <tbody> <tr> <td>C < 1UF</td> <td>1000</td> </tr> <tr> <td>1UF < C ≤ 10UF</td> <td>100</td> </tr> <tr> <td>10UF < C ≤ 100UF</td> <td>10</td> </tr> <tr> <td>100UF < C ≤ 1000UF</td> <td>1</td> </tr> <tr> <td>1000UF < C ≤ 10000UF</td> <td>0.1</td> </tr> <tr> <td>10000UF < C</td> <td>*</td> </tr> </tbody> </table> Resistance is equivalent to a half impedance by test frequency 相当于试验频率的一半阻抗值	Capacitance(C) 容量	Series resistor	C < 1UF	1000	1UF < C ≤ 10UF	100	10UF < C ≤ 100UF	10	100UF < C ≤ 1000UF	1	1000UF < C ≤ 10000UF	0.1	10000UF < C	*	AC test circuit 交流试验回路  <p> ○ : Acpower 交流电源 S: switch 开关 ○ : AC voltage meter 交流电压计 ○ : AC voltage meter 交流电压计 R: protection resistor 保护电阻 Cx: testing capacitor 供试电容器 </p>
Capacitance(C) 容量	Series resistor																
C < 1UF	1000																
1UF < C ≤ 10UF	100																
10UF < C ≤ 100UF	10																
100UF < C ≤ 1000UF	1																
1000UF < C ≤ 10000UF	0.1																
10000UF < C	*																

NO.	ITEM 项目	TEST METHOD 测试方法	SPECIFICATION 规格																																										
6.6	Pressure relief 防暴试验	<p>DC test 直流测试</p> <p>Send the following electircity while applying the inverse voltage .施加反向电压时通入下记电流:</p> <p>Where case size 外壳尺寸 (D 直径)</p> <p style="padding-left: 40px;">D ≤ 22.4mm: 1A D. C. max</p> <p style="padding-left: 40px;">D > 22.4mm: 16A D. C. max</p> <p>Note: 1. this requirement applies to capacitors with a diameter fr 6mm or more.</p> <p style="padding-left: 40px;">2. when the preesure relief divide does not open even 30 minutes after commencement of test. the test may be ended.</p> <p>注: 1. 此要求对于直径 6 mm 或以上之电容适用。</p> <p style="padding-left: 40px;">2. 试验开始, 经 30 分钟后防暴标志仍不动作, 试验终止。</p>	<p>DC sest circuit 直流试验回路</p>  <p>S: Switch 开关</p> <p>DC current meter 直流电流计</p> <p>Cx: test capacitor 供试电容器</p> <p>The pressure relief divide shall open in such a way as to capacitor elements (terminal and foil eat) or cover.</p> <p>防暴标志必须动作, 以防止发生为灾爆炸或金属片飞溅。</p>																																										
6.7	Rated voltage and surge voltage 额定电压和实破电压	<table border="1" style="width: 100%; text-align: center;"> <tr> <td>RV (V)</td> <td>6.3</td> <td>10</td> <td>16</td> <td>25</td> <td>35</td> <td>50</td> </tr> <tr> <td>S.V (V)</td> <td>8</td> <td>13</td> <td>20</td> <td>32</td> <td>44</td> <td>63</td> </tr> <tr> <td>RV (V)</td> <td>63</td> <td>80</td> <td>100</td> <td>160</td> <td>200</td> <td>250</td> </tr> <tr> <td>S.V (V)</td> <td>79</td> <td>100</td> <td>125</td> <td>200</td> <td>250</td> <td>300</td> </tr> <tr> <td>RV (V)</td> <td>350</td> <td>400</td> <td>450</td> <td>500</td> <td></td> <td></td> </tr> <tr> <td>S.V (V)</td> <td>400</td> <td>450</td> <td>500</td> <td>550</td> <td></td> <td></td> </tr> </table>	RV (V)	6.3	10	16	25	35	50	S.V (V)	8	13	20	32	44	63	RV (V)	63	80	100	160	200	250	S.V (V)	79	100	125	200	250	300	RV (V)	350	400	450	500			S.V (V)	400	450	500	550			
RV (V)	6.3	10	16	25	35	50																																							
S.V (V)	8	13	20	32	44	63																																							
RV (V)	63	80	100	160	200	250																																							
S.V (V)	79	100	125	200	250	300																																							
RV (V)	350	400	450	500																																									
S.V (V)	400	450	500	550																																									

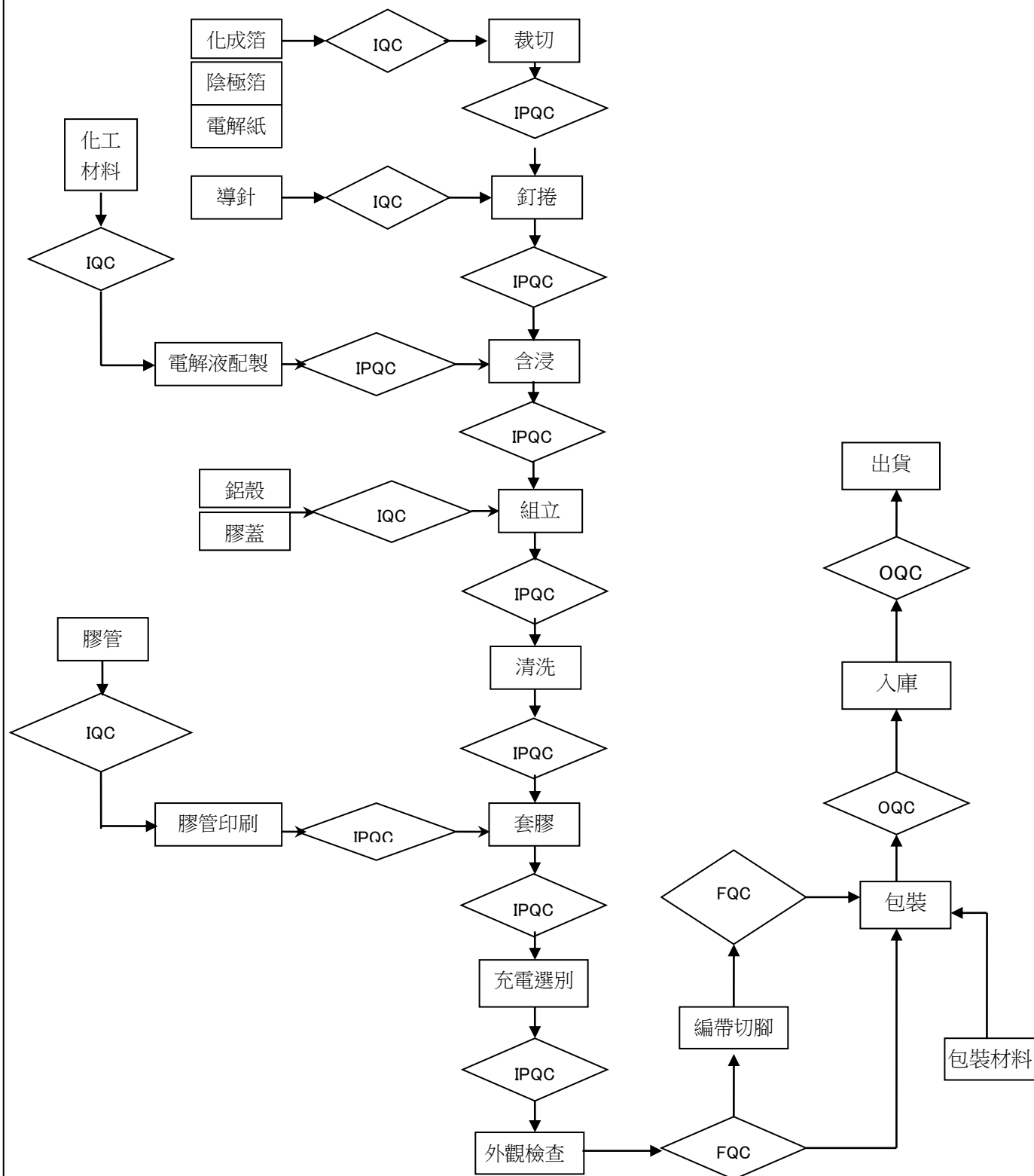
7. 材料构成表 Material composition table :



8.1 材料成分表

序号 NO	部件名称 Parts	材料名称 Material	主要供货商 Main supplier	
1	阳极箔 AL-foil(+)	铝 Aluminum	低压	宏远 HongYuan 海星 Haixin
			高压	海星 Haixing
2	阴极箔 AL-foil(-)	铝 Aluminum	飞乐 Feile	
3	电解纸 Separator paper	木材纸浆、棉浆纸 paper pulp	凯恩 Kaiken	
4	铝壳 AL-case	99.5%纯度铝 99.5% Al	安琪利/奥新 Anqili/Aoxin	
5	胶管 Sleeve	PET (Poly vinyl chloride)	云林 Yunling	
6	导针 Guide pin	铝+CP 线 Aluminum+CP wire	新盛 xingsheng	
7	胶粒 Colloidal particles	合成橡胶 EPT Synthetic rubber	联华鑫 Lianhuaxin	
8	电解液 Electrolyte	乙二醇+有机酸盐 Glycol+organic acid salt	浩泰 Haotai	

■ 铝电解电容器生产工程图



8、铝电解电容器的使用注意事项 Guidelines For Using Aluminum Electrolytic Capacitor

为使您获得电解电容器的最佳性能和延长电解电容器的使用寿命，在使用电解电容器前，请务必阅读本注意事项。

Upon using Aluminum Electrolytic Capacitors, please proper handling and observing to following important points will insure optimum capacitor performance and long life.

1、直流电解电容器是有极性的 DC electrolytic capacitors are polarized.

确定极性，极性标志在电容器的基体上。以免因极性反可能引起电路短路或电容器损坏，当极性不固定或不确定的，使用双极性电容器。注意直流电解电容器不能使用于交流。

Make sure of the polarity .The polarity is marked on the body of the capacitor .Application of the reversed voltage may cause a short circuit or damage to the capacitor. Use bipolar capacitors when the polarity is not determined or unknown. Note that DC electrolytic capacitors can not be used for AC application.

2、双极性电容器 Bipolar capacitors

只适用于脉动电路和极性反转电路中，不适用于纯交流和高纹波电路中。

They are used only in pulse circuits as well as polarity reverse circuits. but not applicable in pure AC or high ripple current.

3、使用电压不要大于额定电压 DO not apply voltage greater than rated voltage .

使用电压大于额定电压，漏电流会增大，可能损坏电容器。建议工作电压为额定电压的百分之七十~八十，电容器在建议的工作电压下使用可延长电容器的寿命。

If a voltage exceeding the rated voltage is applied , the leakage current will increase ,which damage the capacitor. Recommended working voltage is 70 to 80 percent of rated voltage. Using capacitors at recommended working voltage prolongs capacitor life.

4、不要使过量的纹波电流通过电容器 Do not allow excessive ripple current through the capacitor.

流过电容器的纹波电流超过许可值，将会引起电容器发热，电容量减少，损害电容器。通过电容器的纹波电流不要大于允许值，一般不超过额定值的 80%。

The flow of ripple current over permissible ripple current will cause heat of the capacitor, which may decrease the capacitance and damage the capacitor. ripple current on the capacitor must be at or bellow allowable level, generally not more than 80% of the rated current.

5、快速的充放电电路中，使用专门设计的电容器 Use specially designed capacitors for the circuits where charge and discharge are frequency repeated.

在经受快速的周期性充放电电路中，电容器可能受损害，它的寿命因容量下降、温升等原因而缩短，在这种电路中，一定要使用专门设计的电容器。

In the circuit subjected to rapid charge and discharge cycles, capacitors may be damaged, its life may be shortened by capacitance decrease, heat rise, ect. Be sure and use special capacitors in these applications.

6、工作温度范围 Operating temperature range.

电容器的特性随工作温度而变化，在温度较高的情况下，容量、漏电流增大， $\text{tg } \delta$ 减少；在低温情况下，容量和漏电流下降， $\text{tg } \delta$ 增大。电容器在较低的温度下使用会确保延长寿命。

The characteristics of capacitors change with the operating temperature. The capacitance and leakage current increase and $\text{tg } \delta$ decrease at higher temperatures. The capacitance and leakage current decrease and $\text{tg } \delta$ increase at lower temperature. Usage at lower temperature will ensure longer life.

7、使用温度与寿命的关系 Relationship between temperature and life.

电容器的寿命与其使用的温度有关，一般来说，使用温度降低 10°C ，其寿命是额定温度下的 2 倍，计算公式如下：

Life of capacitors has relationship with its used temperature .Generally, if the used temperature is reduced 10°C ,life is prolonged twice at rated temperature. Here is calculating format:

$$L_2 = L_1 \times 2^{\frac{T_1 - T_2}{10}}$$

L_1 —额定温度下的寿命

L_2 —实际温度下的寿命

Life at rated temperature

T₁—额定使用温度

Rated used temperature

Life at actual temperature\

T₂—实际使用温度

Actual used temperature

8、核对工作频率 Check operating frequency.

电解电容器的电容量通常是在 100Hz 或 120Hz 下测得的。然而要记住容量随频率的升高而下降， $\text{tg } \delta$ 随频率的升高而增大，并使周围温度升高。

The capacitance of electrolytic capacitors is usually measured at 100Hz or 120Hz. However , remember that capacitance decrease and $\text{tg } \delta$ increase as the applied frequency becomes higher whereas the ambient temperature becomes higher.

9、长时间存放的电容器，在使用前加额定直流电压处理 Apply rated DC voltage treatment to the capacitors which have been stored for a long time.

长时间的存放，实际对电容器的容量和 $\text{tg } \delta$ 没有多大的影响，然而往往会使漏电流增大，耐压降低。

长时间存放后的电容器处理，首先逐渐施加直流电压至额定电压，然后再使用。

Long periods of storage have virtually no effect no a capacitor's capacitance and $\text{tg } \delta$. Such periods tend, however, to increase leakage current and decrease withstand voltage.

After removing capacitors from long-duration storage, First apply a gradually increasing DC voltage to rated voltage and then use them.

10、电容器外壳与阴极端是不绝缘的 The capacitor case is not insulated from the cathode terminal.

电容器的外壳与阴极端是通过电解液连接的，如果电容器的外壳必须与线路绝缘，则电容器的安装位置处，一定要采取绝缘措施。

The capacitor's case and cathode terminal connect through the electrolyte. If the case is to be completely insulated, that insulation must be at the capacitor's mounting point.

11、电容器的端子或引线不要施加过大的力 Do not apply excessive force to the terminals and leads.

过大的力施加到端子或引线上，可能引起引线的断裂或端子分裂，转而引起内部连接的破坏。

The excessive strong force applied to the terminals and lead wires may cause leads to break or terminals to separate and, in turn, cause the internal contact to fail.

12、浸焊料后，线路板的清洗 Cleaning of the circuit board after solder dipping.

清洗线路板以去除焊剂或其它附着物。为了保护塑料套管，印刷标志以及封口材料不被破坏，电容器不能用卤化物或类似溶剂作为电容器清洗用，如三氯乙烯，二甲苯或酮类等。建议使用的清洗溶剂为：甲醇，异丙醇，乙醇，异丁醇，石油醚，丙醇和一般的洗涤剂。

Cleaning circuit boards to remove flux or other extraneous matter. To ensure protection for sleeve, marking and sealing materials on capacitor body, capacitor should never be washed or cleaned by halogens agents or solvents such as trichlorethylene, xylem or acetone etc. Recommended cleaning solvents. Methanol, isopropanol ethanol, isobutanol, petroleumethe, propane and/or commercial detergents.

13、焊接时注意温度和持续的时间 Be cautious of the temperature and duration when soldering.

烙铁应与电容器的塑料绝缘套管保持一定的距离。当电容器浸于焊料槽时，建议温度在 260℃以内，时间不要超过 10 秒钟，以避免电容器组件受损。

Soldering irons should be kept away from the vinyl insulated sleeves of capacitor. When the capacitor dipped in solder bath, recommendable within 260℃and 10 seconds to avoid damage of capacitor unit.

14、印刷线路板上孔的布局 Hole positions on the circuit board.

设计印刷线路板时，安装孔距应等于引线间距，当孔距大于或小于引线间距时，安装电容器时，将有应力作用到引线上，可能引起短路，电路损坏，漏电流增大。

另外，焊料可能通过所打的孔及后加工零件的引线孔溅落到塑料套管上，造成损伤，所以要认真考虑孔的布局。

When designing a circuit board, space the position holes equally to the space between lead wires. When the spacing is either greater than or less than the capacitor's leads, mounting the capacitor will apply to the leads, causing short circuits, broken circuits, and increased current.

Otherwise, through-holes on the circuit board as well as lead holes of post-process parts can result in solder splashing onto the vinyl sleeve , causing damage. Consider hole positions carefully.