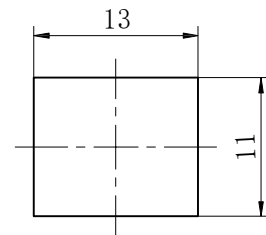
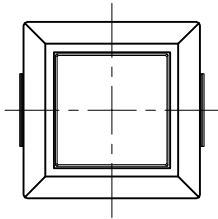
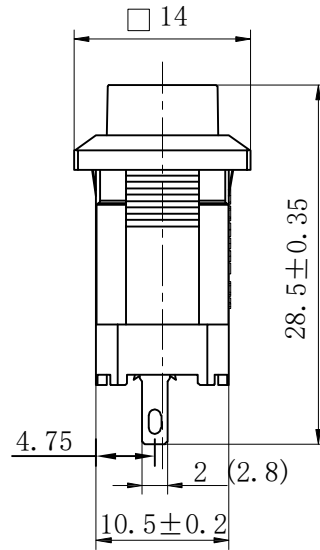
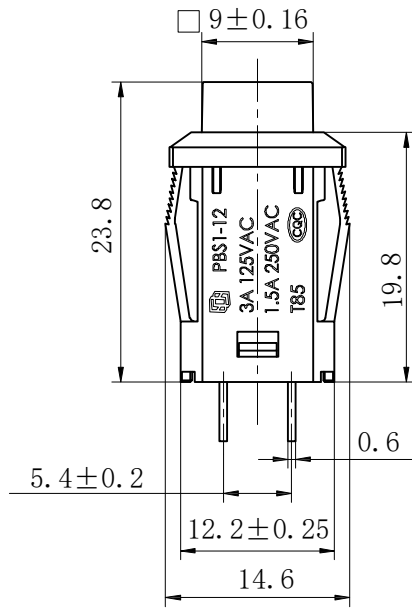


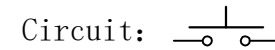
CAD GENERATED DRAWING. DON'T CHANGE BY HAND.

REV.	ECN. NO.	APPD.



mounting dimensions

Rating: 3A 125V  
 1.5A 250V  
 Contact Resistance:  $\leq 100m\Omega$   
 Insulation Resistance:  $\geq 100M\Omega$   
 Dielectric Strength:  $\geq 500V/5S$   
 Electrical Life: Over 10,000 cycles  
 Operating Temperature: T85  
 Material: Spring: carbon steel wire  
 Cover: ABS, PIN parts: brass, Heart: POM  
 Shell and base: nylon



Y	Yellow 黄色
W	White 白色
U	Blue 蓝色
R	Red 红色
G	Green 绿色

2	2.8	B	Black 黑色	NL	NO LOCK
1	2.0	A	Gray 灰色	L	LOCK
PIN SIZE		CAP COLOR (X)		LOCK/NO LOCK	

X.	$\pm 0.50$	X.°	$\pm 2^\circ$
.X	$\pm 0.30$	.X°	$\pm 1^\circ$
.XX	$\pm 0.10$	.XX°	$\pm 0.5^\circ$
.XXX	$\pm 0.05$		

THESE DRAWINGS AND SPECIFICATIONS ARE THE PROPERTY OF YIYUAN TECHNOLOGY CO.,LTD AND SHALL NOT BE REPEOCUED, COPIED OR USED IN ANY MANNER WITHOUT THE PRIOR WRITTEN CONSENT OF YIYUAN TECHNOLOGY CO.,LTD

Email at info@yiyuanswitches.com

UNITS	mm
MAT'L	/
FINISH	/
Q'TY	/

深圳市怡远科技有限公司 SHENZHEN YIYUAN TECHNOLOGY CO.,LTD	
PART NO.	TITLE:
YTS9-PBS1-2GL	PUSH SWITCH 13x11
APPD: ROGER	DWG NO.:
CHKD: ROC	YTS9-PBS1-2GL
DR: BILLY WANG 2020/08/21	SCALE SHEET REV. 1/1 1/1 A1