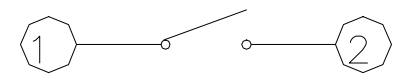
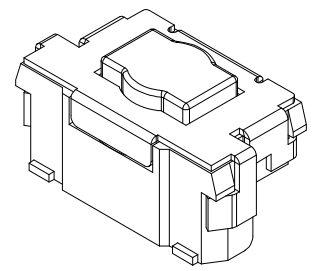
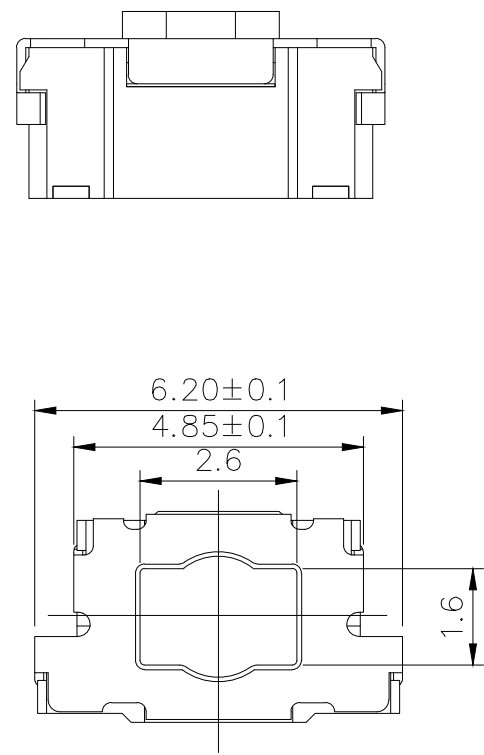
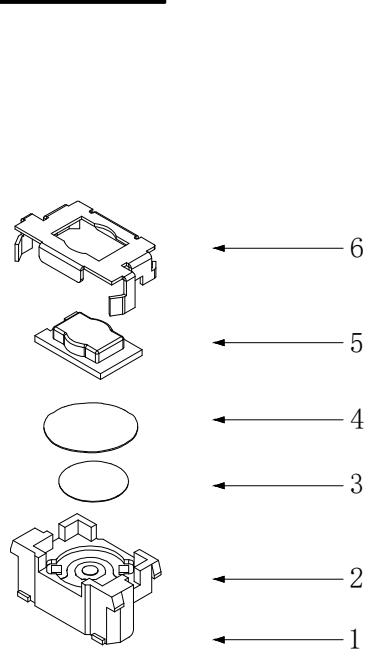


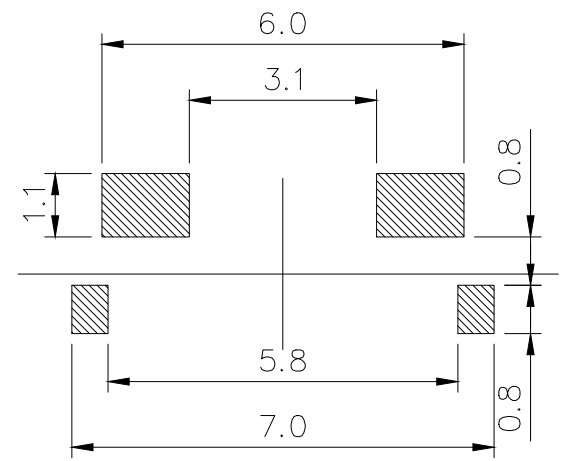
# RoHS

CAD GENERATED DRAWING. DON'T CHANGE BY HAND.

REV.	ECN. NO.	APPD.



CIRCUIT DIAGRAM



PCB. WELDING DRAWING

### Specification

Operating Life	100,000
Contact rating	50mA@12V DC.
Insulation resistance	100mΩ min.
Contact resistance	100mΩ max. initial.
Dielectric Strength	250 V AC(1mn)
Travel	0.2±0.1mm
Storage Temperature	-30° C to 80° C

Packaging:  
a reel of 2,000 pieces

E	Button	LCP	1	White
D	COVER	Phosphor copper	1	Silver
C	DOME	Stainless Steel	1	Plated Ag
B	HOUSING	LCP	1	Black
A	Cards	Phosphor copper	1	Plated Ag
ITEM	DESCRIPTION	MATERIAL	QTY	FINISH/CO LOR

### Mechanical

P/N	Operatin g Force (gf)	Heiht mm	Button	Leads Shape (G, J, T)	Ground pin (0, 1)	Pegs Option (0, 1)	
YTS1C017	3	300±50					
	2	250±50	B	3.5	W(White) B(Black)	J	0 (None) 0 (none)
	1	180±50	A	3.1			

THESE DRAWINGS AND SPECIFICATIONS ARE THE PROPERTY OF YIYUAN TECHNOLOGY CO.,LTD AND SHALL NOT BE REPRODUCED, COPIED OR USED IN ANY MANNER WITHOUT THE PRIOR WRITTEN CONSENT OF YIYUAN TECHNOLOGY CO.,LTD  
Email at [info@yiyuanswitches.com](mailto:info@yiyuanswitches.com)

X. ±0.50	X.° ±2°	UNITS mm	深圳市怡远科技有限公司 SHENZHEN YIYUAN TECHNOLOGY CO., LTD						
.X ±0.30	.X° ±1°								
.XX ±0.10	.XX° ±0.5°	MAT'L	PART NO. YTS1C017						
.XXX ±0.05		FINISH	TITLE: TACTILE SWITCH 微源						
		Q'TY	DWG NO. : YTS1C017						
			APPD: ROGER						
			CHKD: ROC						
			DR: BILLY WANG 2020/08/21						
			<table border="1"> <tr> <td>SCALE</td> <td>SHEET</td> <td>REV.</td> </tr> <tr> <td>1/1</td> <td>1/1</td> <td>A1</td> </tr> </table>	SCALE	SHEET	REV.	1/1	1/1	A1
SCALE	SHEET	REV.							
1/1	1/1	A1							