

1.Cathode
2.Anode

■ Simplified outline(SOD-323)

■ Features

- Small surface mounting type.(EMD2,UMD2)
- Low reverse current and low forward voltage.
- High reliability.

■ Absolute Maximum Ratings $T_a = 25^\circ\text{C}$

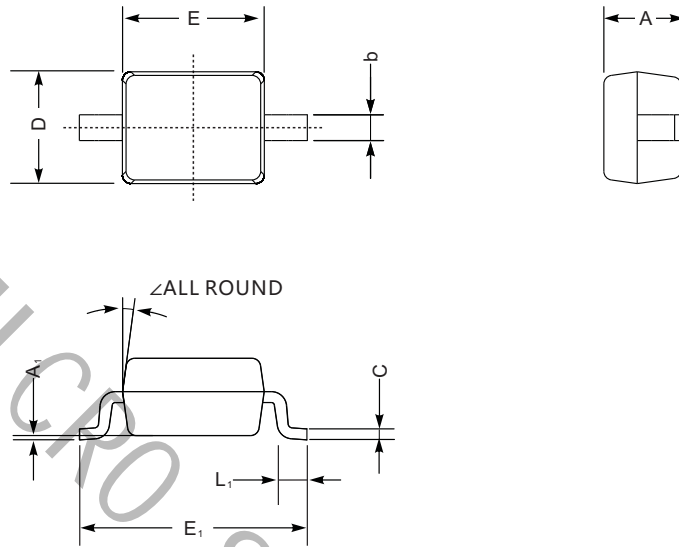
Characteristic	Symbol	Limits	Unit
Peak reverse voltage	V_{RM}	40	V
DC reverse volatge	V_R	30	V
Mean rectifying current	I_o	30	mA
Peak forward surge current*	I_{FSM}	200	mA
Junction temperature	T_j	125	$^\circ\text{C}$
Storage temperature	T_{stg}	-40 to +125	$^\circ\text{C}$

*60 Hz for 1

■ Electrical Characteristics $T_a = 25^\circ\text{C}$

Characteristic	Symbol	Condition	Min	Typ	Max	Unit
Forward voltage	V_F	$I_F = 1 \text{ mA}$			0.37	V
Reverse current	I_R	$I_F = 30 \text{ V}$			0.5	μA
capacitance between terminal	C_T	$V_R = 1 \text{ V}, f = 1\text{MHz}$		2		pF

■ SOD-323



SOD-323 mechanical data

UNIT		A	C	D	E	E ₁	b	L ₁	A ₁	∠
mm	max	1.1	0.15	1.4	1.8	2.75	0.4	0.45	0.2	9°
	min	0.8	0.08	1.2	1.4	2.55	0.25	0.2	—	
mil	max	43	5.9	55	70	108	16	16	8	
	min	32	3.1	47	63	100	9.8	7.9	—	

■ The recommended mounting pad size

