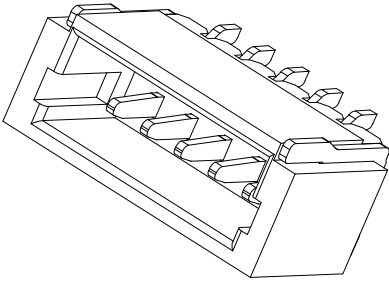


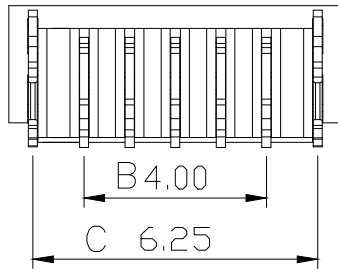
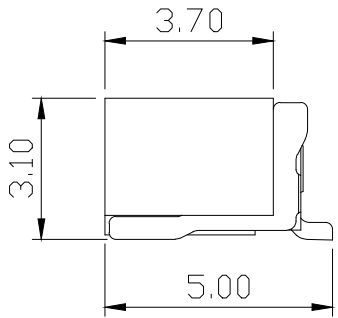
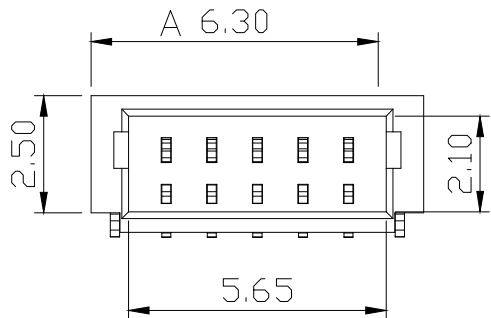
RoHS 2.0

REV.	ECN NO.	DESCRIPTION	DATE	DESIGN
A0.	/.	新版发行	20.05.06	Yang
A1.	/.	重新核对图面	21.01.07	LiHui

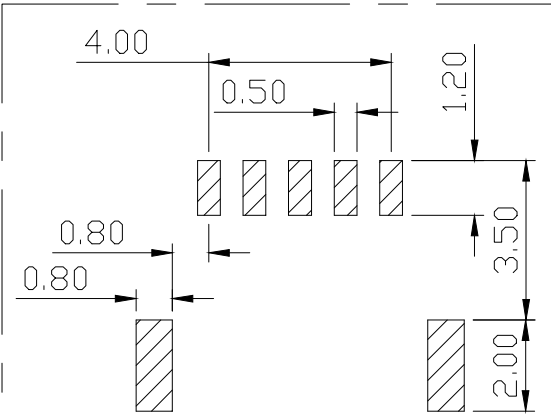
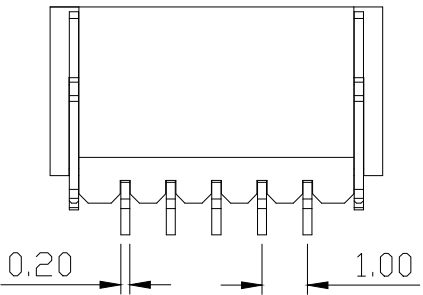


3D View

PIN数	A±0.1	B±0.1	C±0.1
2P	4.30	1.00	3.25
3P	5.30	2.00	4.25
4P	6.30	3.00	5.25
5P	7.30	4.00	6.25
6P	8.30	5.00	7.25



- Specifications:
1. Rated Voltage : 50V AC/DC
  2. Rated Current : 1A AC,DC
  3. Withstand Voltage : 200V AC/minute
  4. Contact Resistance : 50mΩ(MAX.)
  5. Insulation Resistance : 100MΩ(MIN.)
  6. Storage Temperature Range: -40°C~+85°C;
  7. Operation Temperature Range: -25°C~+70°C;



RECOMMENDER P.C.B.LAYOUT TOP VIEW  
(COMPONENT SIDE TOLERANCE±0.1)

3	插片	黄铜H65	镀镍锡	
2	插针	黄铜H65	镀镍锡	
1	底座	LCP	本色	
序号	品名	材质	电镀/颜色	备注

# 深圳市虹成电子有限公司

UNLESS OTHERWISE, GENERAL TOLERANCE:  
 X. xxx ±0.05  
 X. xx ±0.15  
 X. x ±0.25

NAME: 针座1.0卧贴5P编带  
 P/N: HCZZ0032-5  
 DWG NO:

THIRD ANGLE PROJECTION	UNIT:	SCALE	SIZE:	SHEET:	REV.
	MM	1:1	A4	1/1	A1

ANGULAR:  
 X. xx° ±1°  
 X. x° ±3°  
 X. ° ±5°

DRAWN: \_\_\_\_\_ CHECKED: \_\_\_\_\_ APPROVED: \_\_\_\_\_