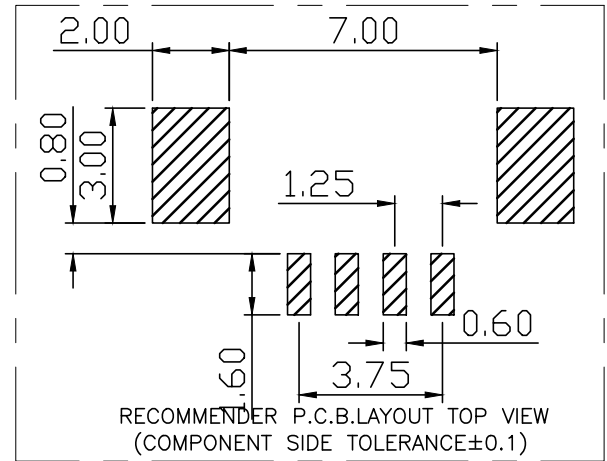
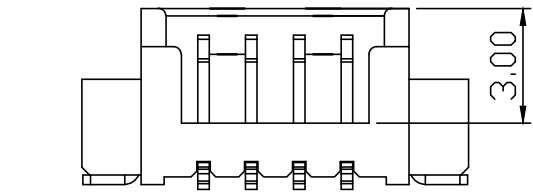
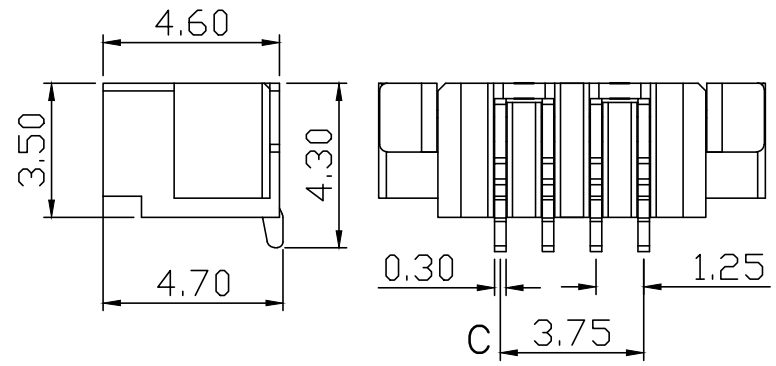
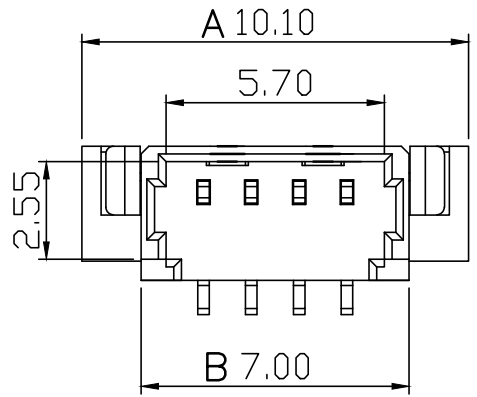
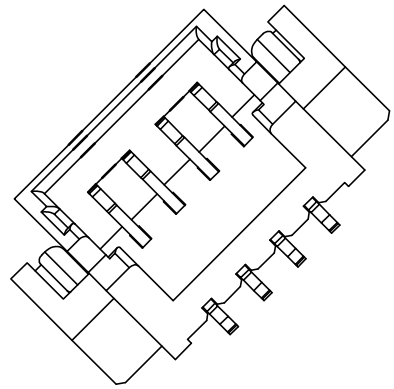
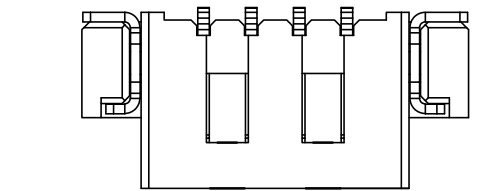


RoHS 2.0



REV.	ECN NO.	DESCRIPTION	DATE	DESIGN

PIN数	A±0.1	B±0.1	C±0.1
2P	7.60	4.50	1.25
3P	8.85	5.75	2.50
4P	10.10	7.00	3.75
5P	11.35	8.25	5.00
6P	12.60	9.50	6.25

Specifications:
 Rated Voltage : 125V AC/DC
 Rated Current : 1A AC,DC
 Withstand Voltage : 200V AC/minute
 Contact Resistance : 50mΩ(MAX.)
 Insulation Resistance : 100MΩ(MIN.)
 Storage Temperature Range:-40°C~+85°C;
 Operation Temperature Range:-25°C~+70°C;

3	插片	黄铜H65	镀镍锡	
2	插针	黄铜H65	镀镍锡	
1	底座	LCP	本色	
序号	品名	材质	电镀/颜色	备注

深圳市虹成电子有限公司

UNLESS OTHERWISE, GENERAL TOLERANCE: X. xxx ±0.05 X. xx ±0.15 X. x ±0.25	NAME:	P/N: HCZZ0015-4	
	针座1.25立贴4P(无缺口)		DWG NO:
ANGULAR: X. xx° ±1° X. x° ±3° X. ° ±5°	THIRD ANGLE PROJECTION	UNIT: MM	SCALE: 1:1
	SIZE: A4	SHEET: 1/1	REV. A0
DRAWN: Lihui	CHECKED: Yangguangrong	APPROVED: Tanguanlin	