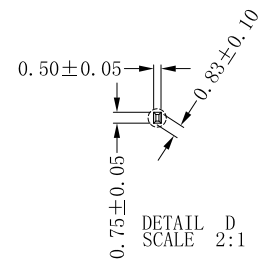
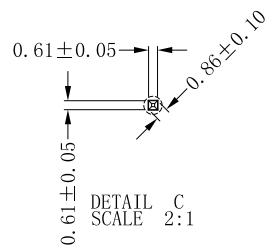
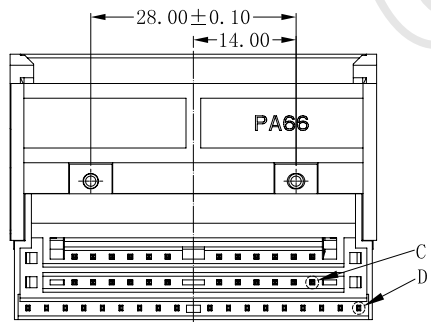
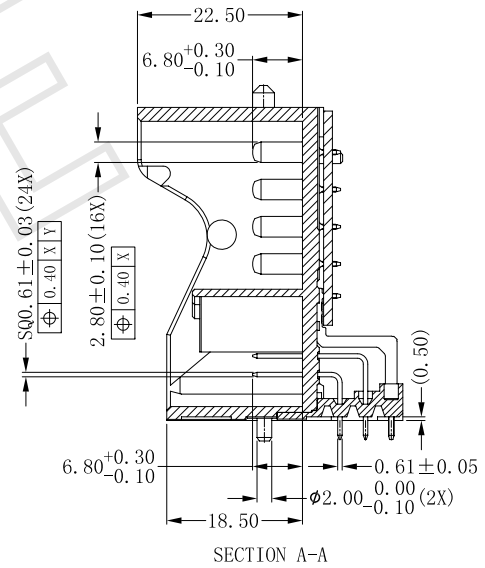
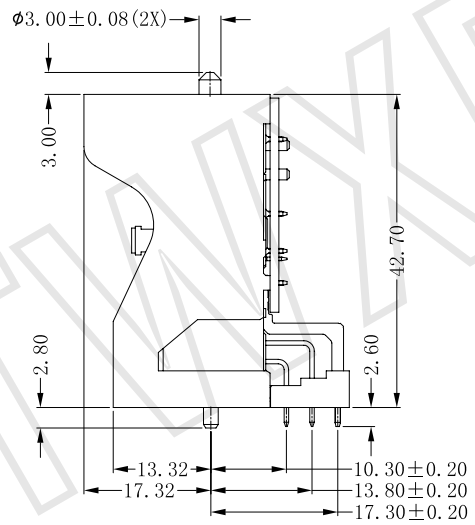
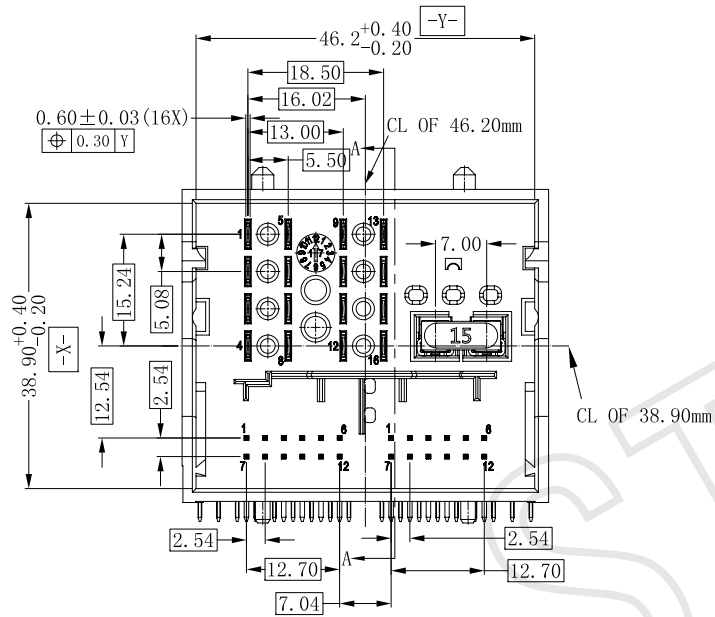
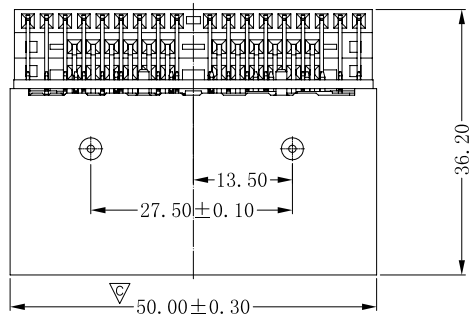


REV.	ECN Number	Description	Drawn
1	CS17120061	First issue	LGJ_2018.01.03
②	E19050002	PCB Layout Modify	LGJ_2019.05.06



ShenZhen ShenTai weixiang Electronics Co., Ltd.

TOLERANCE UNLESS OTHERWISE SPECIFIED			
X.X	±0.50	X.°	±3°
X.XX	±0.30	X.X°	±2°
X.XXX		X.XX°	±1°

SCALE	1:1
UNIT	mm
SIZE	A4

ORIGINAL DRAWN:	LGJ
CHECK:	Yang hong
APPROVE:	Ady Zhou

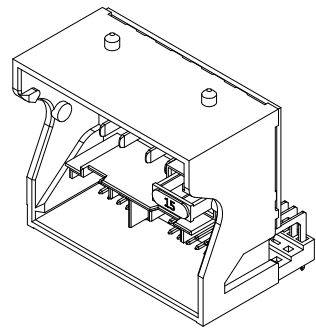
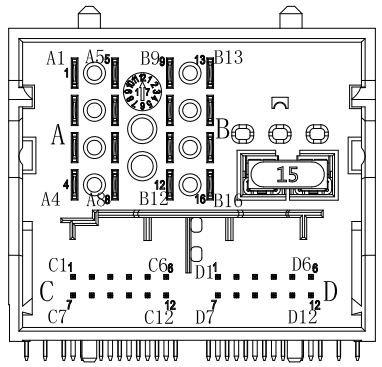
DATE	2019.05.16
DATE	2019.05.16
DATE	2019.05.16

DWG. NO.	600-0000-0342
PARTS NO. (INTENDED USE)	WA03-421-1-AT

TITLE	42PIN RA TYPE POWER CONNECTOR CUSTOMER DRAWING
-------	--

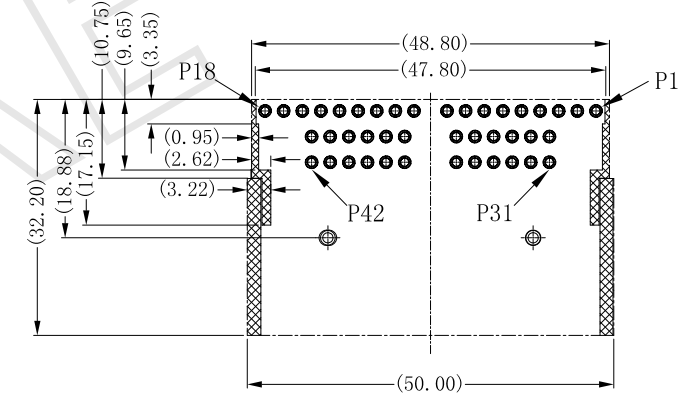
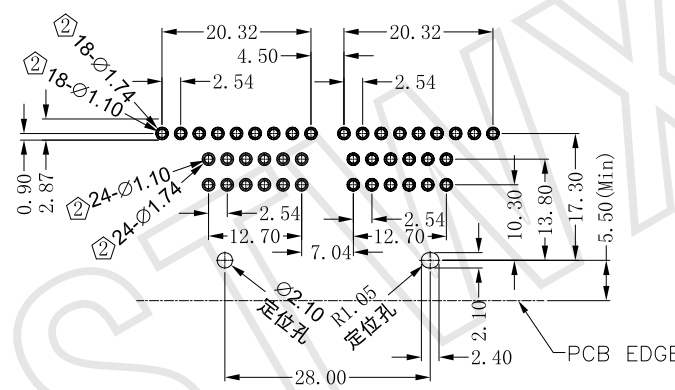
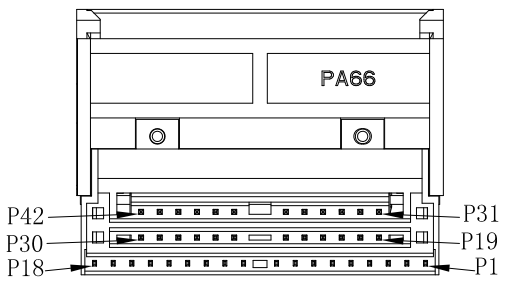
REV.	2
SHEET	1/2

REV.	ECN Number	Description	Drawn
1	CS17120061	First issue	LGJ_2018.01.03
②	E19050002	PCB Layout Modify	LGJ_2019.05.06



Note:

- Material:  
Housing: Thermoplastic  
Contact: Copper alloy
- Specification:  
LLCR: 30mΩ initial, 40mΩ final  
Insulation resistance: 1000MΩ initial, 100MΩ after test.  
Dielectric withstanding voltage: 500V AC for 1minute.  
Rated current: 15A MAX.  
Durability: 30cycles.
- "▽" Size for CPK
- All dimensioning units are millimeters.
- RoHS2.0 compatibility is required.



RECOMMENDED PCB LAYOUT  
Tolerance: +/- 0.05mm

- PAD AREA
- KEEP OUT AREA
- STAND OFF AREA

PIN DEFINITION

P1-FUSE-B15	P9-B9	P16-A6	P23-D2	P30-C1	P37-C12
P2-FUSE-B15	P10-B11	P17-A1	P24-D1	P31-D12	P38-C11
P3-B12	P11-A7	P18-A5	P25-C6	P32-D11	P39-C10
P4-B10	P12-A3	P19-D6	P26-C5	P33-D10	P40-C9
P5-B13	P13-A8	P20-D5	P27-C4	P34-D9	P41-C8
P6-B14	P14-A4	P21-D4	P28-C3	P35-D8	P42-C7
P7-P8-B16	P15-A2	P22-D3	P29-C2	P36-D7	

PIN NO. WA03-421-1-XXX

PACKING: T:TRAY  
H:HARD TRAY

ELECTRO PLATING CODE:

Definition	Code
Matte Tin Plated	A
Bright Tin Plated	V

NULL:Thermoplastic  
F:High Temperature Thermoplastic  
H:Halogen Free

 ShenZhen ShenTai weixiang Electronics Co., Ltd.	TOLERANCE UNLESS OTHERWISE SPECIFIED				SCALE 1:1	ORIGINAL DRAWN: LGJ	DATE 2019.05.16	DWG. NO. 600-0000-0342	TITLE 42PIN RA TYPE POWER CONNECTOR CUSTOMER DRAWING	REV. 2
	X.X	±0.50	X.°	±3°	UNIT mm	CHECK: Yang hong	DATE 2019.05.16	PARTS NO. (INTENDED USE) WA03-421-1-AT	SHEET 2/2	
	X.XX	±0.30	X.X°	±2°	SIZE A4	APPROVE: Ady Zhou	DATE 2019.05.16			
	X.XXX		X.XX°	±1°						