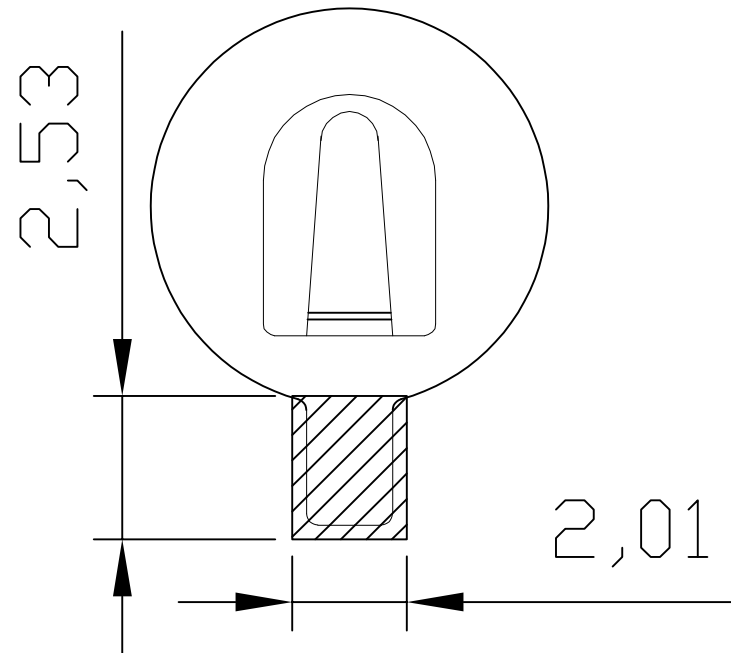
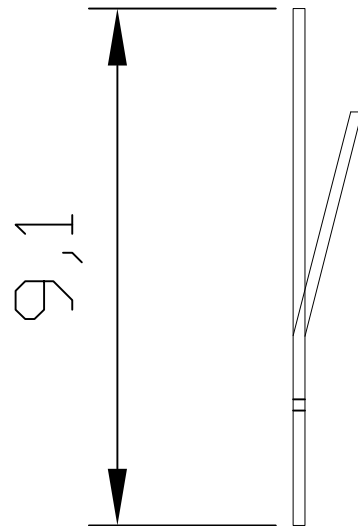
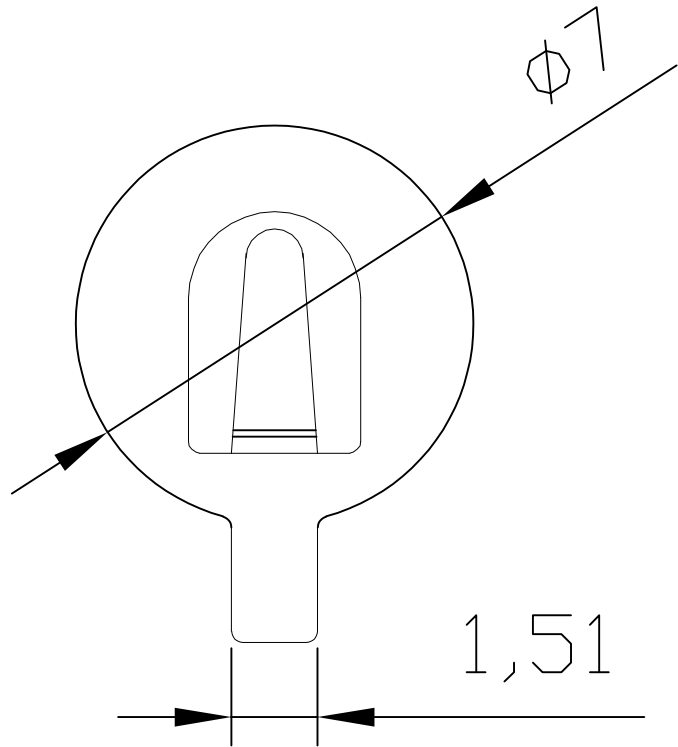




REV.	ECN NO.	REVISED	DATE



PCB Layout Diagram  
Top View

工程  
部  
2022-08-17  
H. WANG

UNLESS OTHERWISE SPECIFIED TOLERANCES		<b>MYOUNG 美用</b> <a href="http://www.meiyangdz.com">www.meiyangdz.com</a>			
DECIMALS: X :±0.30 X.X :±0.25 X.XX :±0.20 X.XXX :±0.10	ANGLES: X :±1° X.X :±0.5°	DSND	YangFeng	DATE	2022-08-17
WEIGHT: 0.60g		CHKD	ZhouRuicai	DATE	2022-08-17
SHEET 1 OF 1		APVD	XueShunyong	DATE	2022-08-17
		SCALE: 2:1	SIZE: A4	VIEW:	TITLE: 电池弹片负极-129 SMT
		UNIT: mm	REV.: A/0	OBJECT: MY	PART NO.: MY-FJ-129
					DRAW NO.:WD-CP-0223

1	TERMINAL(-)	1	C5191, T=0.20mm	Ni-Plating
NO.	PART NAME	Q'TY	MATERIAL	PLATING & COLOR