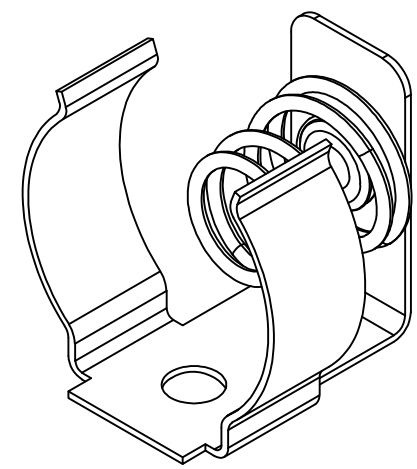
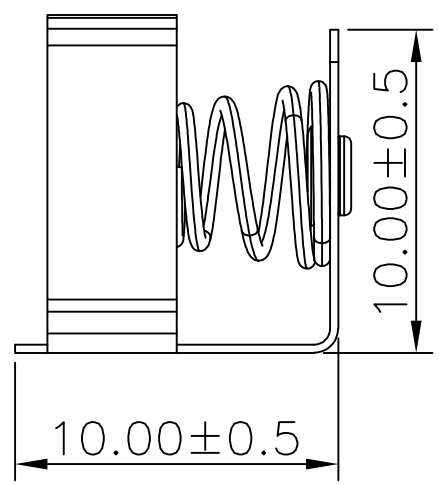
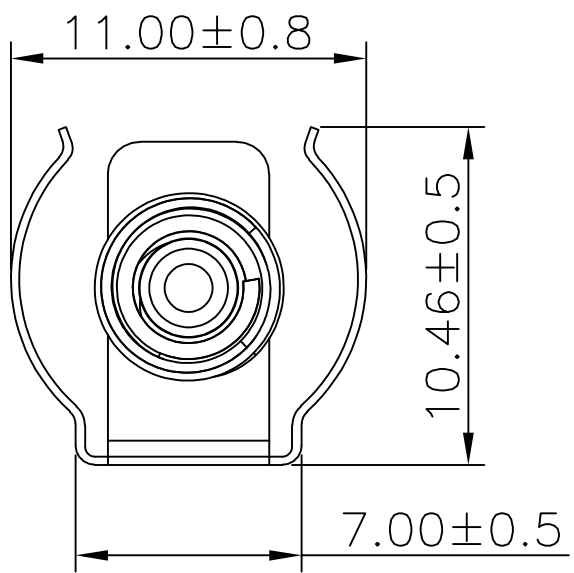
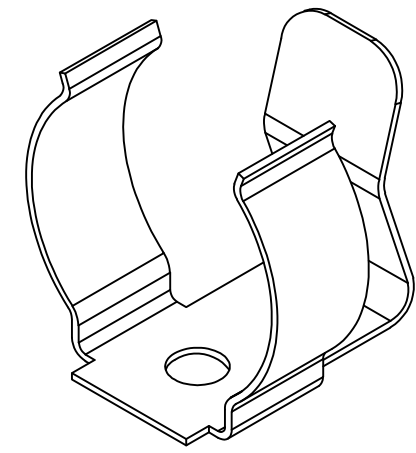




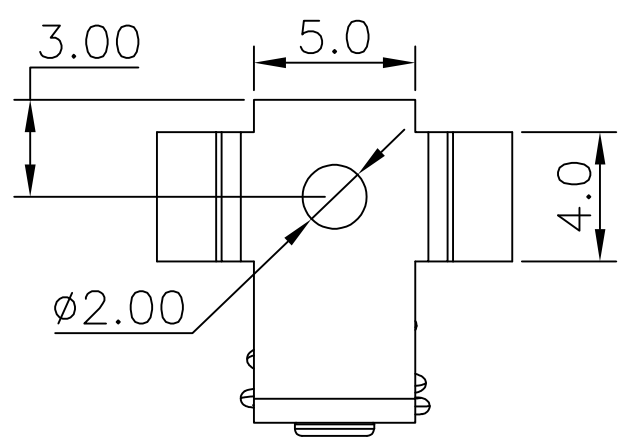
REV.	ECN NO.	REVISED	DATE



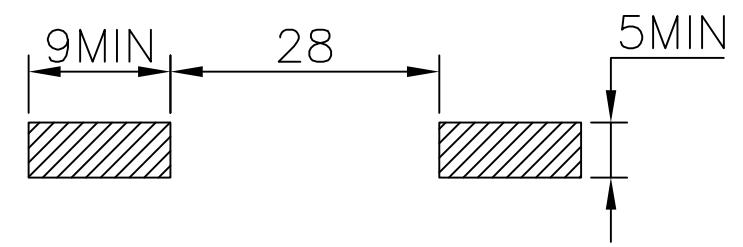
MY-AAA-19-J



MY-AAA-20-J



工程
2023-03-09
H. WANG



MY-AAA-19-J(-)&MY-AAA-20-J(+)

PCB Layout Diagram
Top View

UNLESS OTHERWISE SPECIFIED TOLERANCES		MYOUNG 美用 www.meiyangdz.com	
DECIMALS: X :±0.30 X.X :±0.25 X.XX :±0.20 X.XXX :±0.10	ANGLES: X :±1° X.X :±0.5°	DSND YangFeng	DATE 2023-03-09
WEIGHT:		CHKD ZhouRuicai	DATE 2023-03-09
SHEET 1 OF 1		APVD XueShunyong	DATE 2023-03-09
NO. PART NAME Q'TY MATERIAL PLATING & COLOR		SCALE: UNIT: mm	VIEW:
1 TERMINAL 1 SPRING STEEL , T=0.25mm Ni-Plating		SIZE: A4	REV.: A/0
		OBJECT: MY	TITLE: 3A 电池夹 带弹簧 Ni SMT
			PART NO.: MY-AAA-19-J
			DRAW NO.:WD-CP-0276

1	TERMINAL	1	SPRING STEEL , T=0.25mm	Ni-Plating
NO.	PART NAME	Q'TY	MATERIAL	PLATING & COLOR