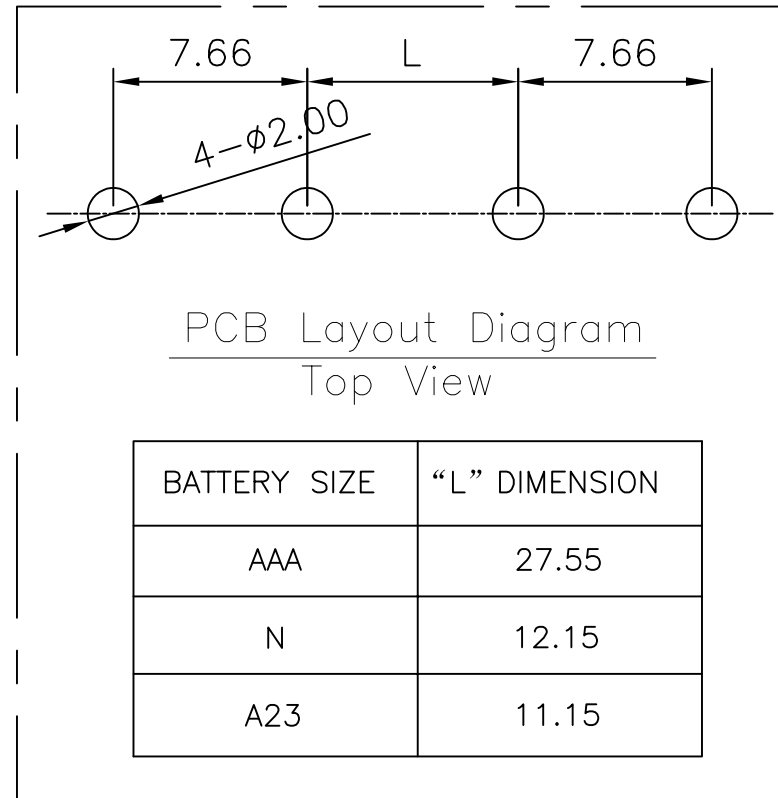
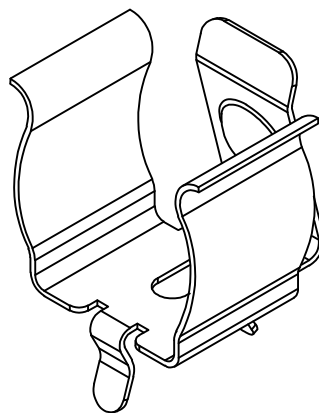
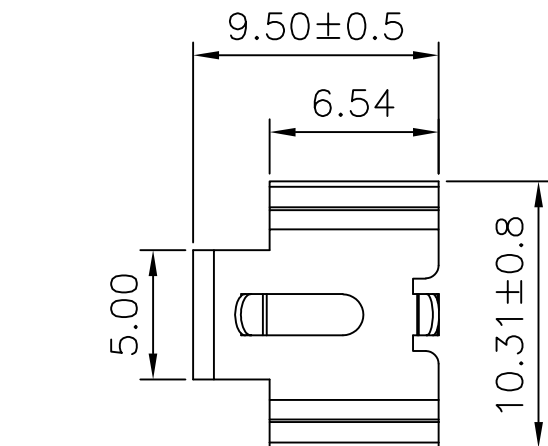
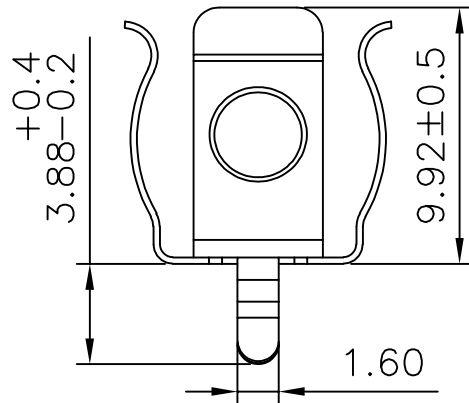
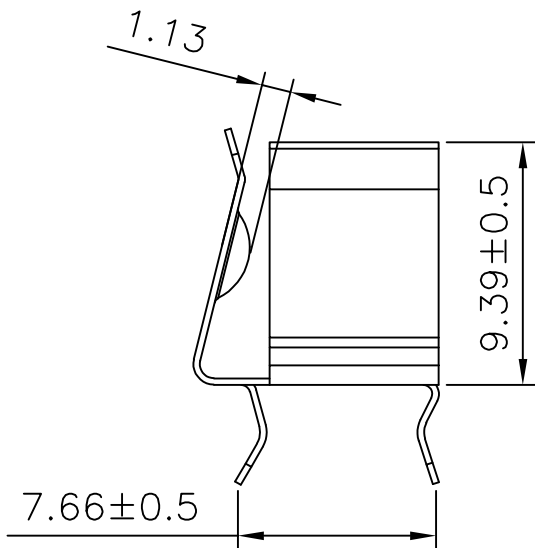




REV.	ECN NO.	REVISED	DATE



工程部
2023-02-24
H. WANG

UNLESS OTHERWISE SPECIFIED TOLERANCES		MYOUNG 美用 www.meiyangdz.com	
DECIMALS: X :±0.30 X.X :±0.25 X.XX :±0.20 X.XXX :±0.10	ANGLES: X :±1° X.X :±0.5°	DSND YangFeng	DATE 2023-02-24
WEIGHT:		CHKD ZhouRuicai	DATE 2023-02-24
		APVD XueShunyong	DATE 2023-02-24
SHEET 1 OF 1		SCALE:	SIZE: A4
		UNIT: mm	REV.: A/0
		VIEW:	OBJECT: MY
		TITLE: 3A 电池夹 弯脚加长 Ni DIP	
		PART NO.: MY-AAA-18-J	
		DRAW NO.:WD-CP-0270	

1	TERMINAL	1	SPRING STEEL , T=0.25mm	Ni-Plating
NO.	PART NAME	Q'TY	MATERIAL	PLATING & COLOR