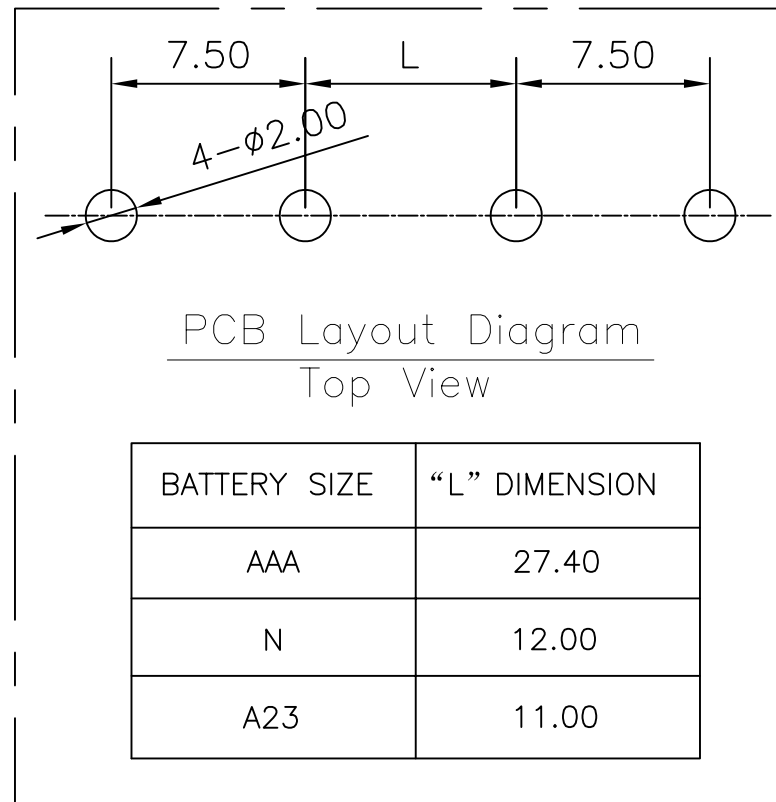
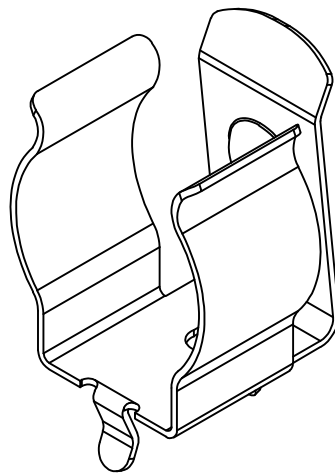
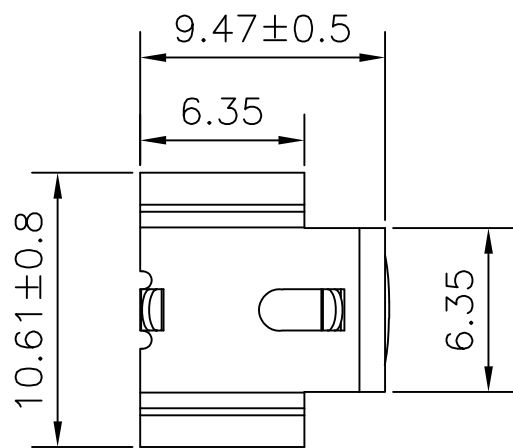
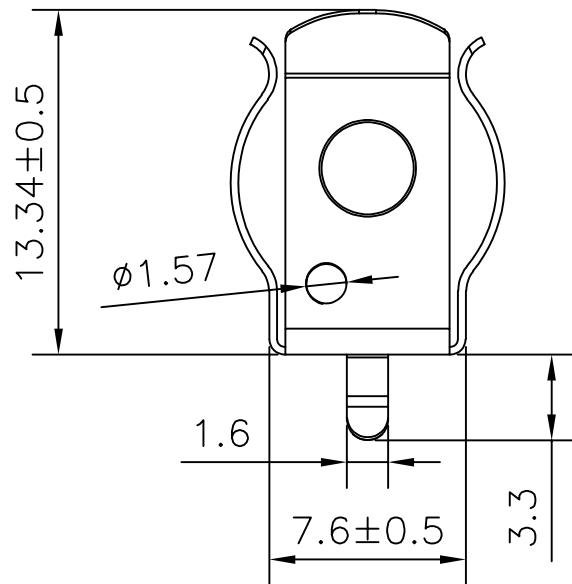
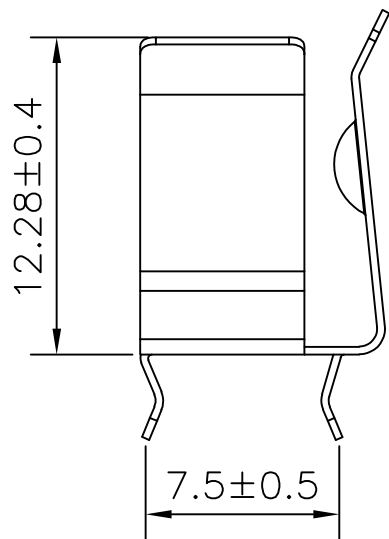




REV.	ECN NO.	REVISED	DATE



工程部
2023-02-24
H. WANG

UNLESS OTHERWISE SPECIFIED TOLERANCES		MYOUNG 美用 www.meiyangdz.com			
DECIMALS: X :±0.30 X.X :±0.25 X.XX :±0.20 X.XXX :±0.10	ANGLES: X :±1° X.X :±0.5°	DSND	YangFeng	DATE	2023-02-24
		CHKD	ZhouRuicai	DATE	2023-02-24
		APVD	XueShunyong	DATE	2023-02-24
WEIGHT:		SCALE:	SIZE: A4	VIEW:	⊕
SHEET 1 OF 1		UNIT: mm	REV.: A/0	OBJECT: MY	
		TITLE:		3A电池夹 弯脚 DIP	
		PART NO.:		MY-AAA-17-J	
		DRAW NO.:WD-CP-0268			

1	TERMINAL	1	SPRING STEEL , T=0.3mm	Ni-Plating
NO.	PART NAME	Q'TY	MATERIAL	PLATING & COLOR