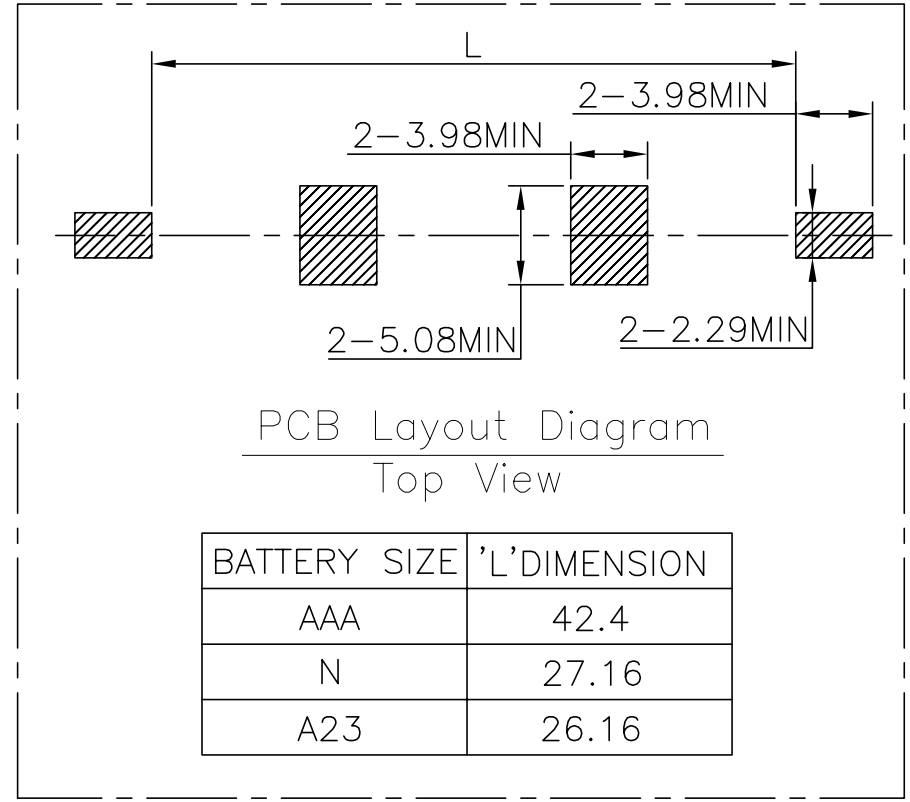
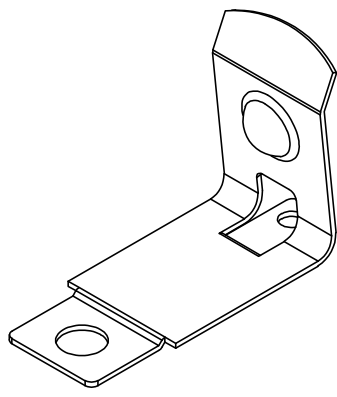
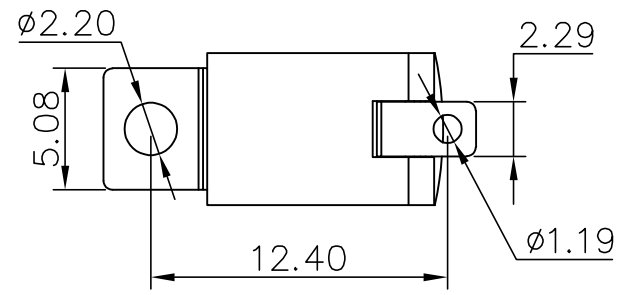
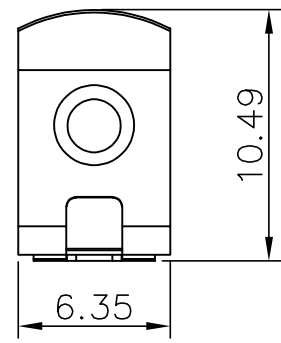
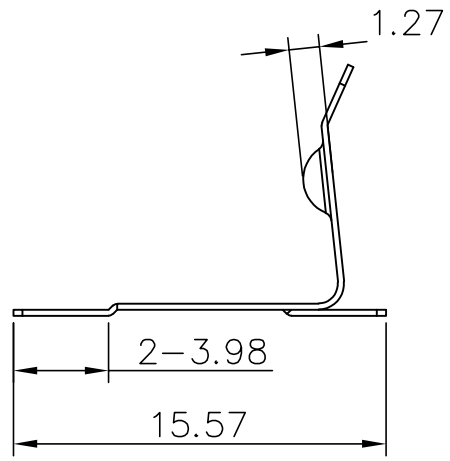




REV.	ECN NO.	REVISED	DATE



PCB Layout Diagram
Top View

BATTERY SIZE	'L' DIMENSION
AAA	42.4
N	27.16
A23	26.16



UNLESS OTHERWISE SPECIFIED TOLERANCES		MYOUNG 美阳 www.meiyangdz.com			
DECIMALS: X :±0.30 X.X :±0.25 X.XX :±0.20 X.XXX :±0.10	ANGLES: X :±1° X.X :±0.5°	DSND	YangFeng	DATE	2021-10-16
WEIGHT: g		CHKD	ZhouRuicai	DATE	2021-10-16
SHEET 1 OF 1		APVD	XueShunYong	DATE	2021-10-16
TITLE:		SCALE:	4:1	SIZE:	A4
PART NO.:		VIEW:	⊙ ⊚	UNIT:	mm
DRAW NO.:WD-CP-0173		REV.:	A/0	OBJECT:	MY

1	TERMINAL	1	SPRING STEEL, T=0.25mm	Ni-Plating
NO.	PART NAME	Q'TY	MATERIAL	PLATING & COLOR