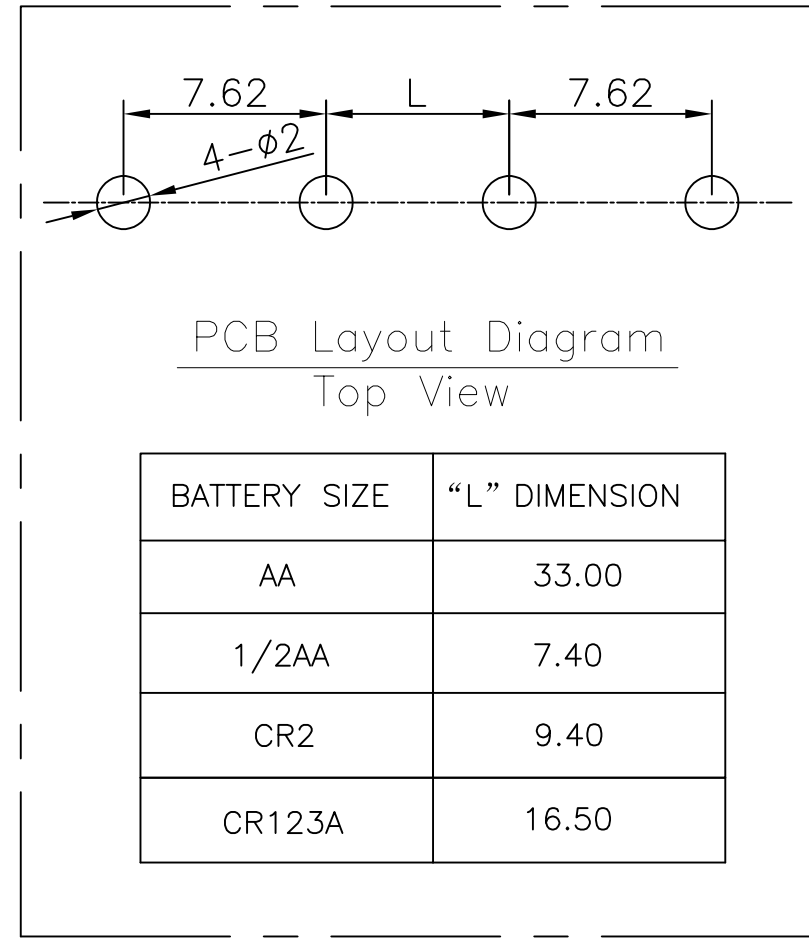
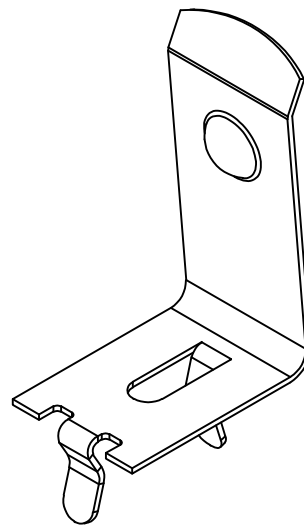
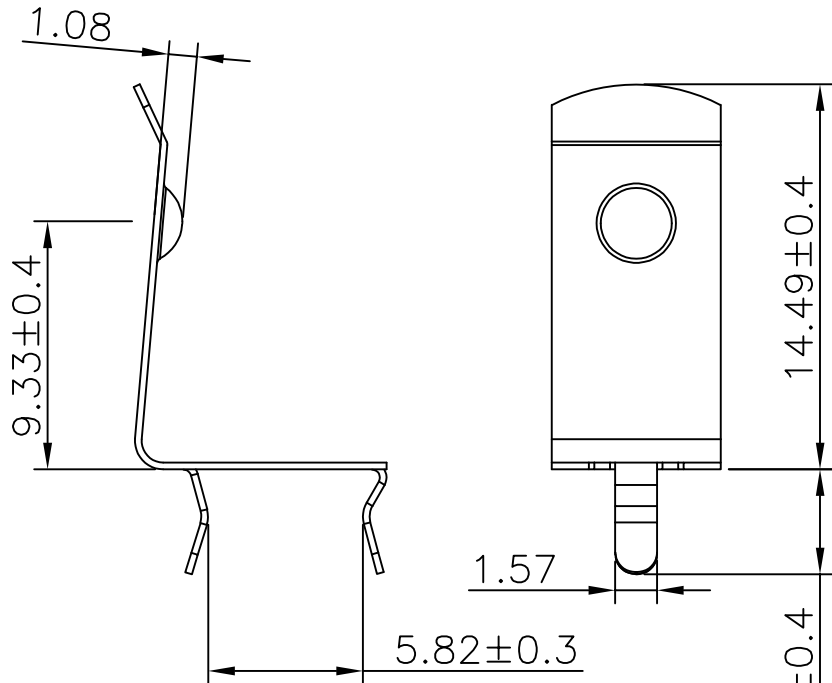
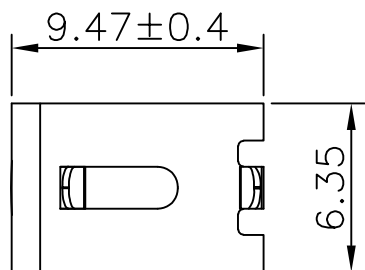




REV.	ECN NO.	REVISED	DATE



BATTERY SIZE	"L" DIMENSION
AA	33.00
1/2AA	7.40
CR2	9.40
CR123A	16.50



工程部
2021-10-16
H. WANG

UNLESS OTHERWISE SPECIFIED TOLERANCES		MYOUNG 美用 www.meiyangdz.com	
DECIMALS: X :±0.30 X.X :±0.25 X.XX :±0.20 X.XXX :±0.10	ANGLES: X :±1° X.X :±0.5°	DSND YangFeng	DATE 2021-10-16
WEIGHT: g		CHKD ZhouRuicai	DATE 2021-10-16
SHEET 1 OF 1		APVD XueShunyong	DATE 2021-10-16
TITLE: 电池弹片TER-181 DIP		SCALE: 4:1	SIZE: A4
PART NO.: MY-AA-14-J		VIEW:	UNIT: mm
DRAW NO.:WD-CP-0272		REV.: A/0	OBJECT: MY

1	TERMINAL	1	SPRING STEEL, T=0.25mm	Ni-Plating
NO.	PART NAME	Q'TY	MATERIAL	PLATING & COLOR