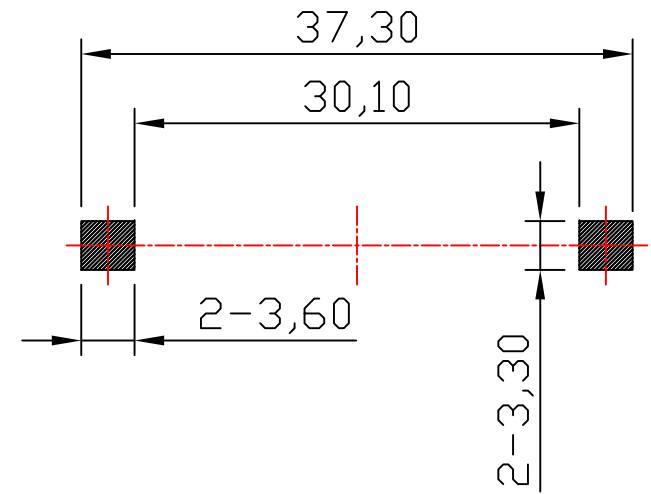
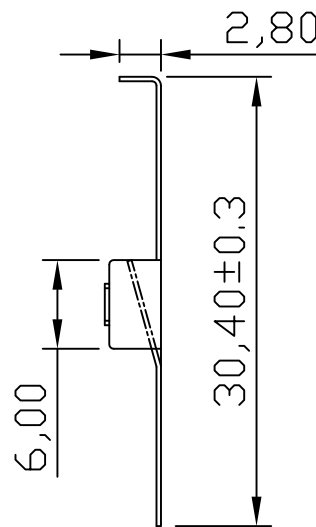
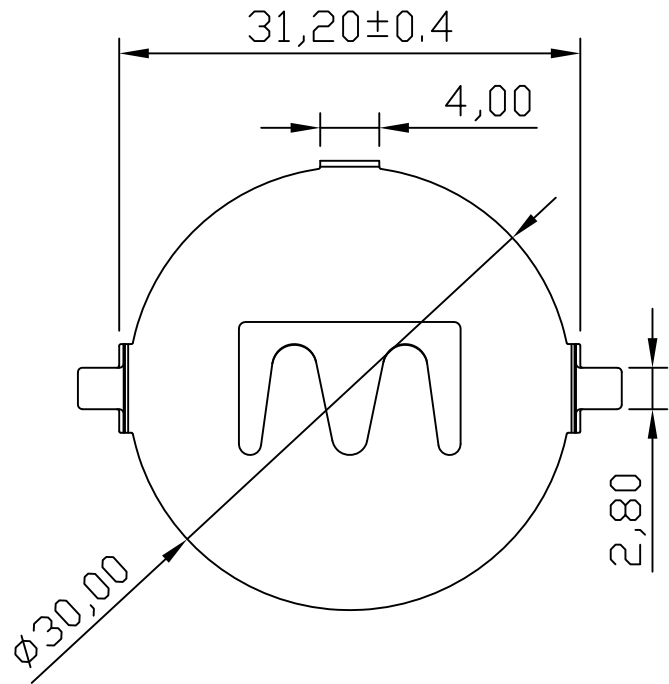
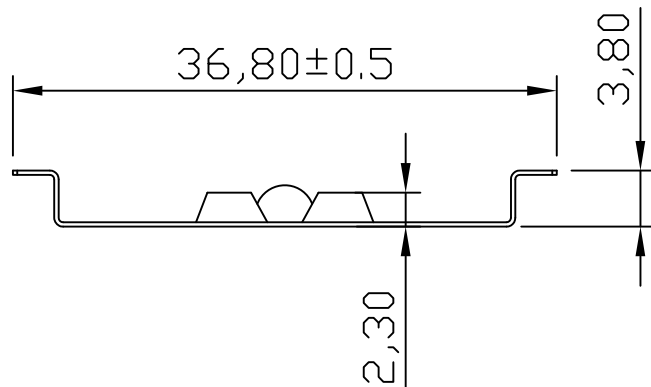




REV.	ECN NO.	REVISED	DATE



PCB Layout Diagram
Top View



工程部
2021-10-20
H. WANG

UNLESS OTHERWISE SPECIFIED TOLERANCES		MYOUNG 美阳 www.meiyangdz.com	
DECIMALS: X :±0.30 X.X :±0.25 X.XX :±0.20 X.XXX :±0.10	ANGLES: X :±1° X.X :±0.5°	DSND YangFeng	DATE 2021-10-20
WEIGHT: 0.60g		CHKD ZhouRuicai	DATE 2021-10-20
SHEET 1 OF 1		APVD XueShunyong	DATE 2021-10-20
TITLE:		SCALE: 2:1	SIZE: A4
PART NO.:		VIEW:	
DRAW NO.:WD-CP-0174		UNIT: mm	REV.: A/0
		OBJECT: MY	

1	TERMINAL(+)	1	Mn steel, T=0.30mm	Ni-Plating
NO.	PART NAME	Q'TY	MATERIAL	PLATING & COLOR