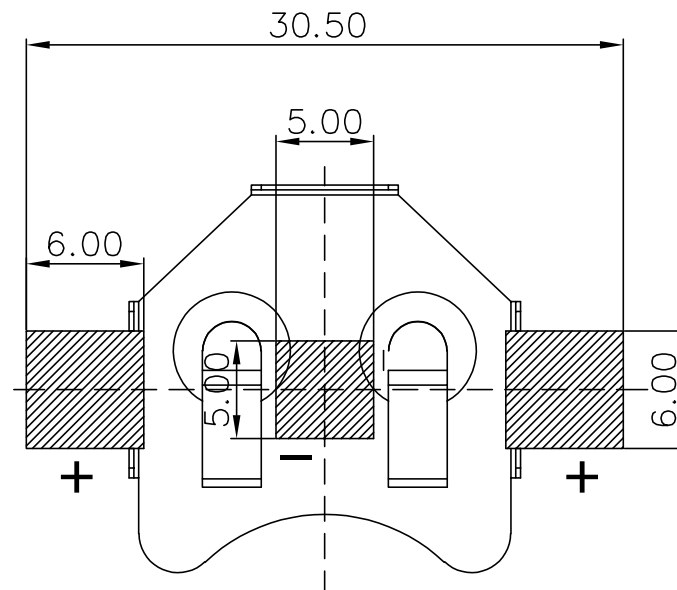
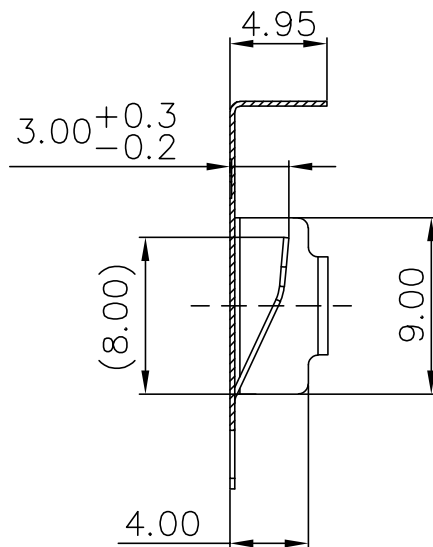
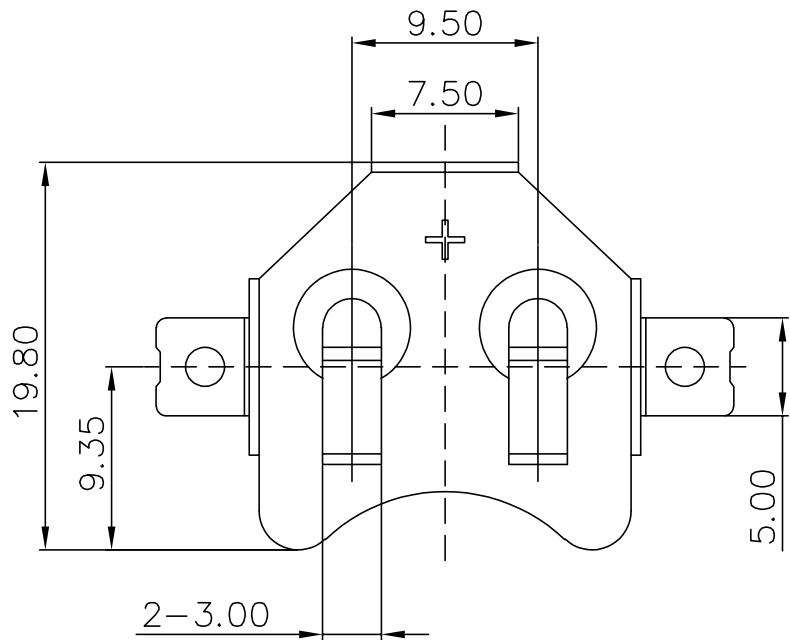
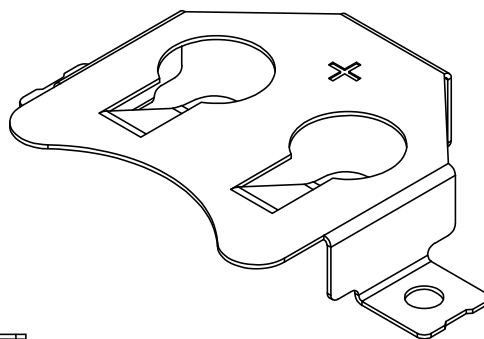
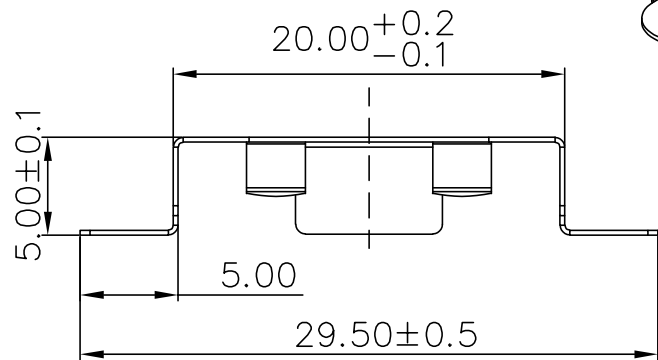




REV.	ECN NO.	REVISED	DATE



PCB Layout Diagram
Bottom View



工程部
2022-08-16
LQ. HUANG

UNLESS OTHERWISE SPECIFIED TOLERANCES

MYOUNG 美用 www.meiyangdz.com

DECIMALS: X :±0.30 X.X :±0.25 X.XX :±0.20 X.XXX :±0.10
 ANGLES: X :±1° X.X :±0.5°

DSND	YangFeng	DATE	2022-08-16
CHKD	ZhouRuicai	DATE	2022-08-16
APVD	XueShunyong	DATE	2022-08-16

TITLE: 电池扣CR2045-W SMT
 PART NO.: MY-2045-01

1	TERMINAL(+)	1	PHOSPHOR BRONZE, T=0.30mm	Ni-Plating
NO.	PART NAME	Q'TY	MATERIAL	PLATING & COLOR

WEIGHT:	g	SCALE:	SIZE: A4	VIEW:	
SHEET 1 OF 1	UNIT: mm	REV.: A/0	OBJECT: MY	DRAW NO.:MY-CP-0318	