



REV.	ECN NO.	REVISED	DATE

NOTE:

1.MATERIAL:

- a.HOUSING:LCP
- b.CONTACT:PHOSPHOR BRONZE
(SURFACE PLATING:AU1U")

SEE ORDERING INFORMATION

2.ELECTRIC:

- a.CONTACT RESISTANCE: 30 MILLIOHMS MAX
- b.INSULATION RESISTANCE: 100 MEGA OHMS MIN
- c.DIELECTNIC VOLTAGE: 500V AC ONE SEC LEVEL
- d.OPERATING TEMPERATURE: -25°C~ +85°C

ORDERING INFORMATION

BS-06-A4AA004

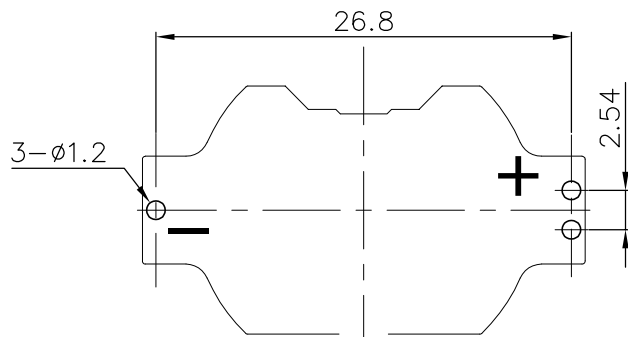
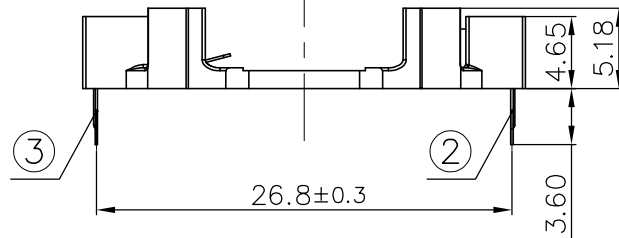
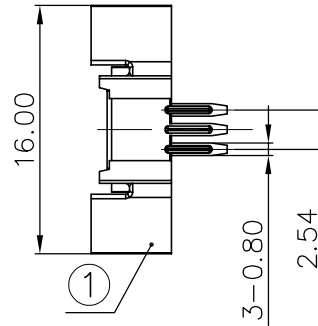
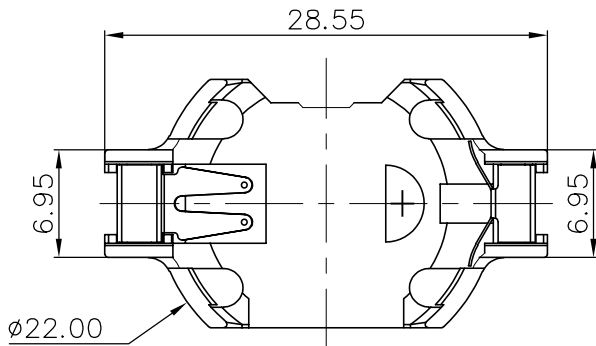
电池座系列

BS-06系列

DIP 90° TYPE

PLATING:
A-Au1U"
J-Ni100U"~120U"
K-SN100U"~120U"

MATERIAL:
1A-PBT BLACK
1B-PA66 BLACK
2A-PPA BROWN
2B-PPA BLACK
3A-PPS BROWN
3B-PPS BLACK
4A-LCP WHITE
4B-LCP BLACK



PCB Layout Diagram
Top View

3	TERMINAL(-)	1	PHOSPHOR BRONZE, T=0.20mm	Au-Plating
2	TERMINAL(+)	1	PHOSPHOR BRONZE, T=0.20mm	Au-Plating
1	HOUSING	1	LCP	WHITE
NO.	PART NAME	Q'TY	MATERIAL	PLATING & COLOR

UNLESS OTHERWISE SPECIFIED TOLERANCES		MYOUNG 美用 www.meiyangdz.com	
DECIMALS: X :±0.30 X.X :±0.25 X.XX :±0.20 X.XXX :±0.10	ANGLES: X :±1° X.X :±0.5°	DSND YangFeng	DATE 2022-02-24
		CHKD ZhouRuicai	DATE 2022-02-24
		APVD XueShun Yong	DATE 2022-02-24
WEIGHT: 9		SCALE:	SIZE: A4
SHEET 1 OF 1		VIEW:	OBJECT: MY
		UNIT: mm	REV.: A/0
		TITLE: BS-2032-6-2 Au DIP LCP白色	
		PART NO.: BS-06-A4AA004	
		DRAW NO.:MY-CP-0294	