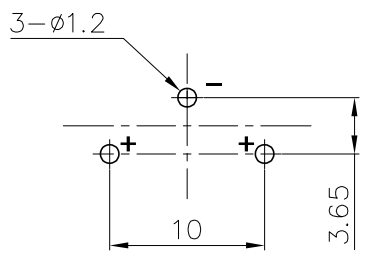
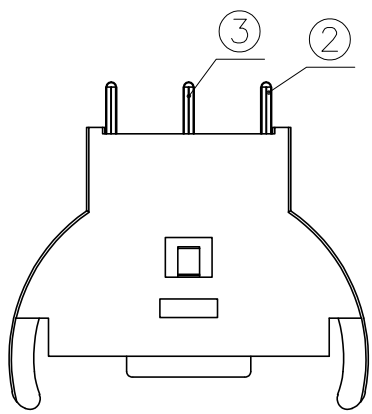
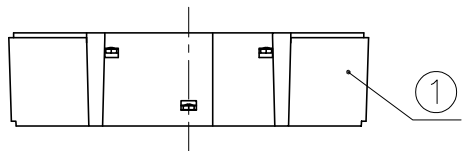
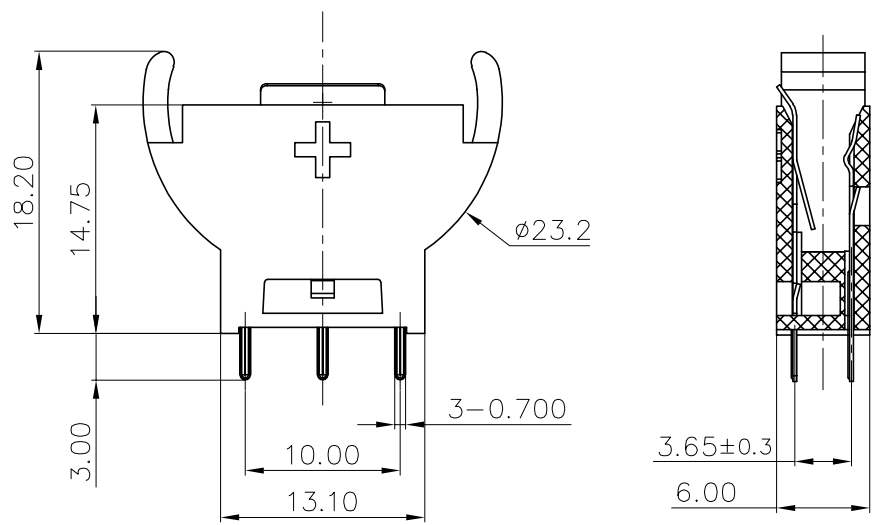




REV.	ECN NO.	REVISED	DATE



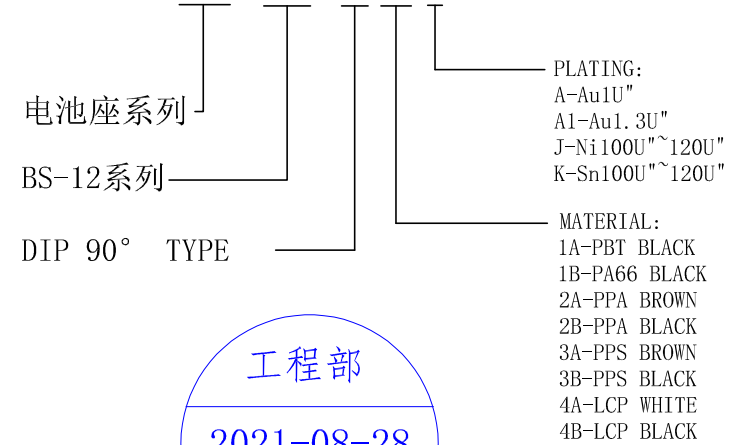
PCB Layout Diagram
Top View

NOTE:

- 1.MATERIAL:
 - a.HOUSING:LCP BLACK UL94V-0
 - b.CONTACT:BRASS
(SURFACE PLATING: Sn 100u"-120u")
SEE ORDERING INFORMATION
- 2.ELECTRIC:
 - a.CONTACT RESISTANCE: 50 MILLIOHMS MAX
 - b.INSULATION RESISTANCE: 100 MEGA OHMS MIN
 - c.DIELECTNIC VOLTAGE: 500V AC ONE SEC
- LEVEL
 - d.OPERATING TEMPERATURE: -25° C~ +85° C

ORDERING INFORMATION

BS-05-A4BK013



3	TERMINAL(-)	1	BRASS, T=0.25mm	Sn Plating
2	TERMINAL(+)	1	BRASS, T=0.25mm	Sn Plating
1	HOUSING	1	LCP	BLACK
NO.	PART NAME	Q'TY	MATERIAL	PLATING & COLOR

UNLESS OTHERWISE SPECIFIED TOLERANCES		MYOUNG 美阳 www.meiyangdz.com	
DECIMALS: X :±0.30 X.X :±0.25 X.XX :±0.20 X.XXX :±0.10	ANGLES: X :±1° X.X :±0.5°	DSND YangFeng	DATE 2021-08-28
		CHKD ZhouRuicia	DATE 2021-08-28
		APVD XueShun Yong	DATE 2021-08-28
WEIGHT: 9		SCALE:	VIEW:
SHEET 1 OF 1		SIZE: A4	OBJECT: MY
		REV.: A/0	DRAW NO.:MY-CP-0273
		UNIT: mm	TITLE: BS-2032-5 Sn LCP DIP
			PART NO.: BS-05-A4BK013