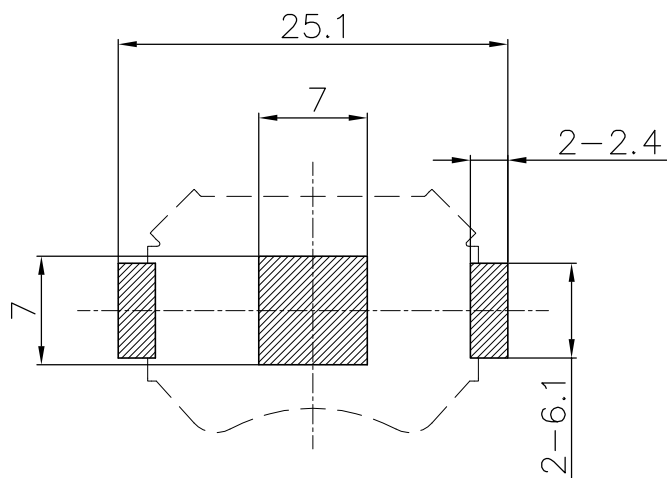
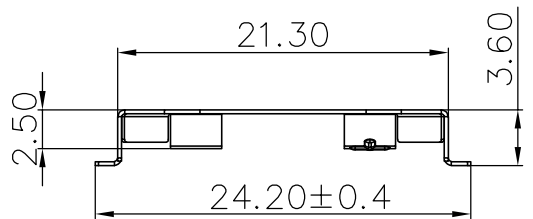
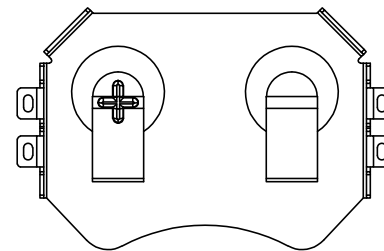
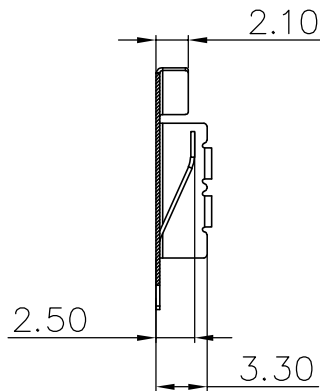
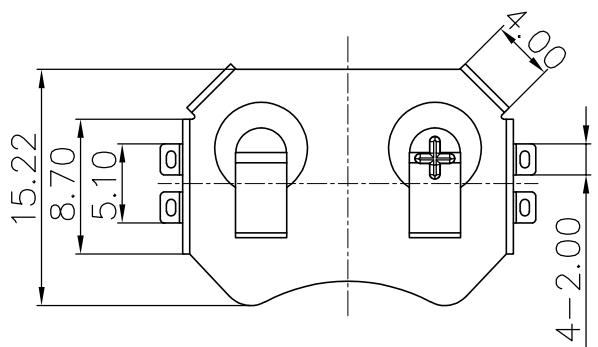


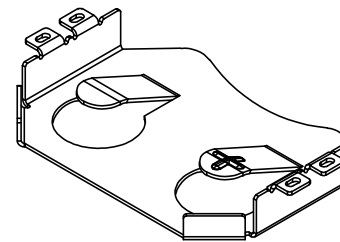


REV.	ECN NO.	REVISED	DATE



PCB Layout Diagram
Top View

工程部
2022-03-31
LQ. HUANG



3D View

UNLESS OTHERWISE SPECIFIED TOLERANCES		MYOUNG 美阳 www.meiyangdz.com			
DECIMALS: X :±0.30 X.X :±0.25 X.XX :±0.20 X.XXX :±0.10	ANGLES: X :±1° X.X :±0.5°	DSND	YangFeng	DATE	2022-03-31
		CHKD	ZhouRuicai	DATE	2022-03-31
		APVD	XueShunyong	DATE	2022-03-31
		WEIGHT:	9	SCALE:	SIZE: A4
		SHEET 1 OF 1		VIEW:	⊙ ↺
		UNIT:	mm	REV.:	A/0
				OBJECT:	MY
				TITLE: 电池扣CR2032-P28 K SMT (24.2)	
				PART NO.: MY-2032-28	
				DRAW NO.:MY-CP-0300	

1	TERMINAL(+)	1	PHOSPHOR BRONZE, T=0.25mm	Ni-Plating
NO.	PART NAME	Q'TY	MATERIAL	PLATING & COLOR