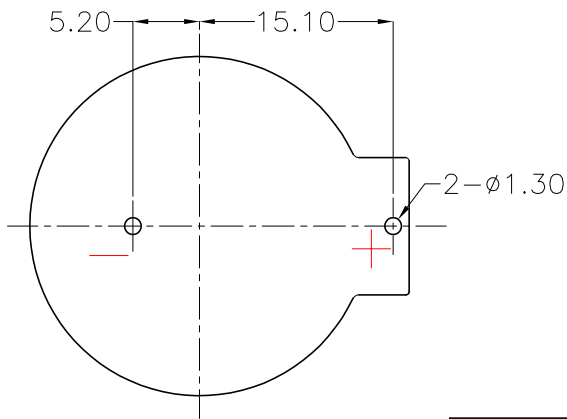
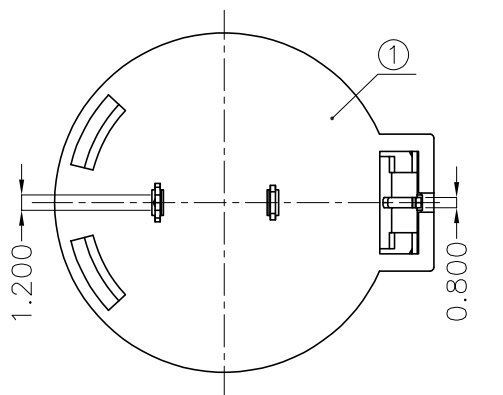
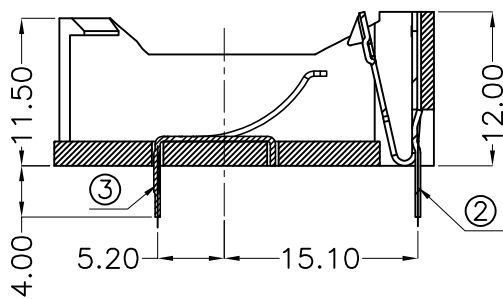
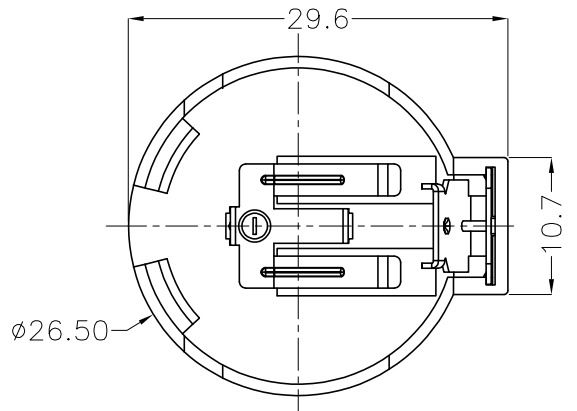




REV.	ECN NO.	REVISED	DATE



PCB Layout Diagram  
Top View

NOTE:

1.MATERIAL:

a.HOUSING:PBT

b.CONTACT:PHOSPHOR BRONZE

(SURFACE PLATING: Ni100u"-120u")

SEE ORDERING INFORMATION

2.ELECTRIC:

a.CONTACT RESISTANCE: 100 MILLIOHMS MAX

b.INSULATION RESISTANCE: 100 MEGA OHMS MIN

c.DIELECTNIC VOLTAGE: 500V AC ONE SEC LEVEL

d.OPERATING TEMPERATURE: -25°C ~ +85°C

ORDERING INFORMATION

BS-24-A\*\*\*011

电池座系列

BS-24系列

DIP 90° TYPE

PLATING:

A-Au1U"

J-Ni100U"~120U"

K-Sn100U"~120U"

MATERIAL:

1A-PBT BLACK

1B-PA66 BLACK

2A-PPA BROWN

2B-PPA BLACK

3A-PPS BROWN

3B-PPS BLACK

4A-LCP WHITE

4B-LCP BLACK



UNLESS OTHERWISE SPECIFIED TOLERANCES		<b>MYOUNG 美阳</b> <a href="http://www.meiyangdz.com">www.meiyangdz.com</a>	
DECIMALS: X :±0.30 X.X :±0.25 X.XX :±0.20 X.XXX :±0.10	ANGLES: X :±1° X.X :±0.5°	DSND YangFeng	DATE 2019-01-07
WEIGHT:3.5g		CHKD ZhouRuicai	DATE 2019-01-07
SHEET 1 OF 1		APVD XueShun Yong	DATE 2019-01-07
TITLE: BS-2477-1J DIP 加粗		SCALE: 2:1	SIZE: A4
PART NO.: BS-24-A1AJ011		VIEW:	UNIT: mm
DRAW NO.:MY-CP-0183		REV.: A/0	OBJECT: MY

NO.	PART NAME	Q'TY	MATERIAL	PLATING & COLOR
3	TERMINAL(-)	1	PHOSPHOR BRONZE,T=0.40mm	Ni-Plating
2	TERMINAL(+)	1	PHOSPHOR BRONZE,T=0.40mm	Ni-Plating
1	HOUSING	1	PBT	BLACK