



REV.	ECN NO.	REVISED	DATE

1.MATERIAL:
a.HOUSING:PPS UL94V-0
b.CONTACT:PHOSPHOR BRONZE
(SURFACE PLATING:AU1u")
SEE ORDERING

INFORMATION
2.ELECTRIC:
a.CONTACT RESISTANCE: 30 MILLIOHMS MAX
b.INSULATION RESISTANCE: 100 MEGA OHMS MIN
c.DIELECTNIC VOLTAGE: 500V AC ONE SEC
LEVEL
d.OPERATING TEMPERATURE: -25° C~ +85° C

ORDERING INFORMATION

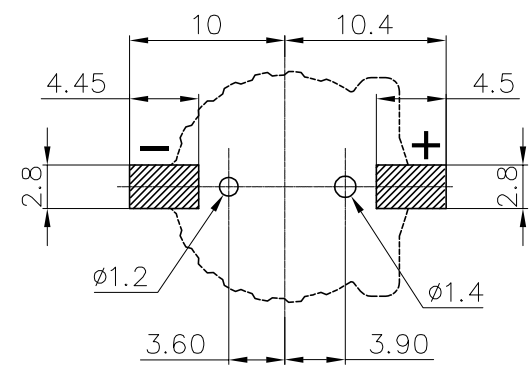
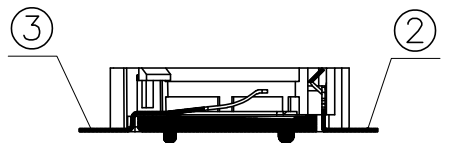
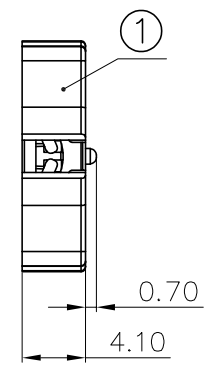
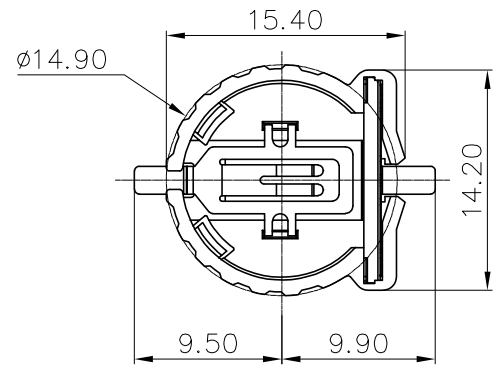
BS-12-B3AA003-T

电池座系列
BS-12系列
SMT 180° TYPE

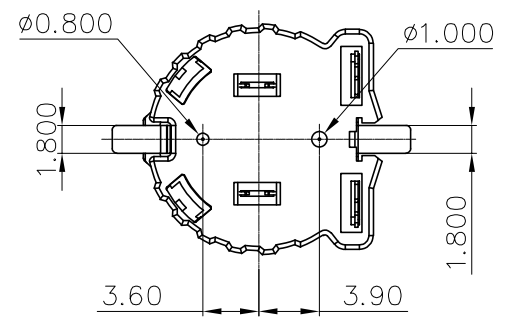
PLATING:
A-Au1U"
A1-Au1.3U"
J-Ni100U"~120U"
K-Sn100U"~120U"

MATERIAL:
1A-PBT BLACK
1B-PA66 BLACK
2A-PPA BROWN
2B-PPA BLACK
3A-PPS BROWN
3B-PPS BLACK
3C-PPS ADJUSTED COLOR
4A-LCP WHITE
4B-LCP BLACK

工程部
2021-08-28
LQ. HUANG



PCB Layout Diagram
Top View



3	TERMINAL(-)	1	PHOSPHOR BRONZE, T=0.20mm	Gold Plating and Ni Under-Plating
2	TERMINAL(+)	1	PHOSPHOR BRONZE, T=0.20mm	Gold Plating and Ni Under-Plating
1	HOUSING	1	PPS	BROWN
NO.	PART NAME	Q'TY	MATERIAL	PLATING & COLOR

UNLESS OTHERWISE SPECIFIED TOLERANCES		MYOUNG 美用 www.meiyangdz.com	
DECIMALS: X :±0.30 X.X :±0.25 X.XX :±0.20 X.XXX :±0.10	ANGLES: X :±1° X.X :±0.5°	DSND YangFeng	DATE 2021-08-28
WEIGHT:		CHKD ZhouRuicai	DATE 2021-08-28
SHEET 1 OF 1		APVD XueShun Yong	DATE 2021-08-28
TITLE: BS-1220-2 PPS SMT 调色		SCALE:	SIZE: A4
PART NO.: BS-12-B3AA003-T		VIEW:	
DRAW NO.:MY-CP-0272		UNIT: mm	REV.: A/0
		OBJECT: MY	